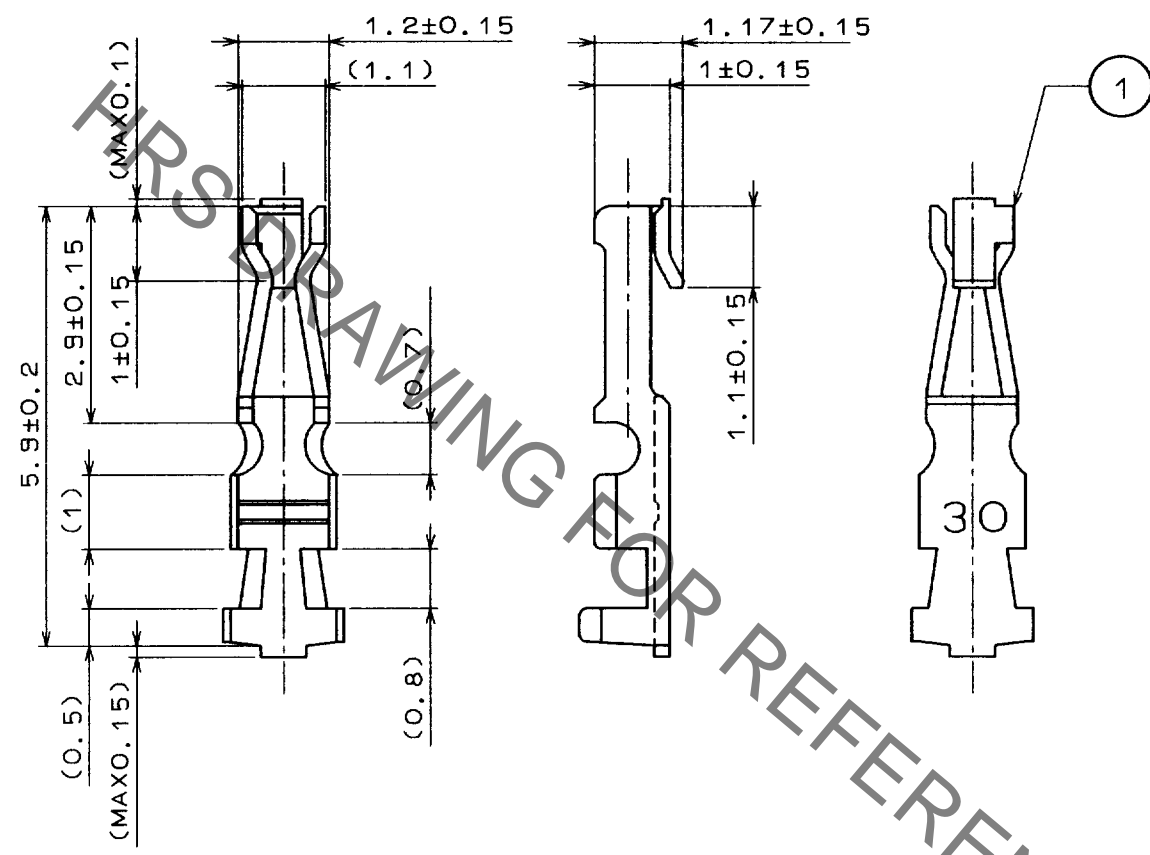


Oct.1.2019 Copyright 2019 HIROSE ELECTRIC CO., LTD. All Rights Reserved.  
 In case of consideration for using Automotive equipment / device which demand high reliability, kindly contact our sales window correspondents.

1		2			3			4		
COUNT	DESCRIPTION OF REVISIONS	BY	CHKD	DATE	COUNT	DESCRIPTION OF REVISIONS	BY	CHKD	DATE	
△				..	△				..	
△				..	△				..	
△				..	△				..	



NOTE ① CONTACT AREA: GOLD PLATED OVER NICKEL  
 THE OTHER: NICKEL PLATED

1	PHOSPHOR BRONZE	①			
NO.	MATERIAL	FINISH, REMARKS	NO.	MATERIAL	FINISH, REMARKS

CODE NO. (OLD)	DRAWN	DESIGNED	CHECKED	APPROVED	RELEASED
	J. Sakuda	J. Sakuda	H. Okawa	M. Yamaguchi	
	97.10.03	97.10.03	97.10.03	97.10.03	

SCALE 10 : 1 UNITS mm	DRAWING NO.	PART NO.
	EDC4-021389	A3B-2630SCC
<b>HRS</b> HIROSE ELECTRIC CO., LTD.	CODE NO.	1/1
	CL621-0302-0	

TO

