



Mini MULTILOCK Wire to Wire Connector

Contacts

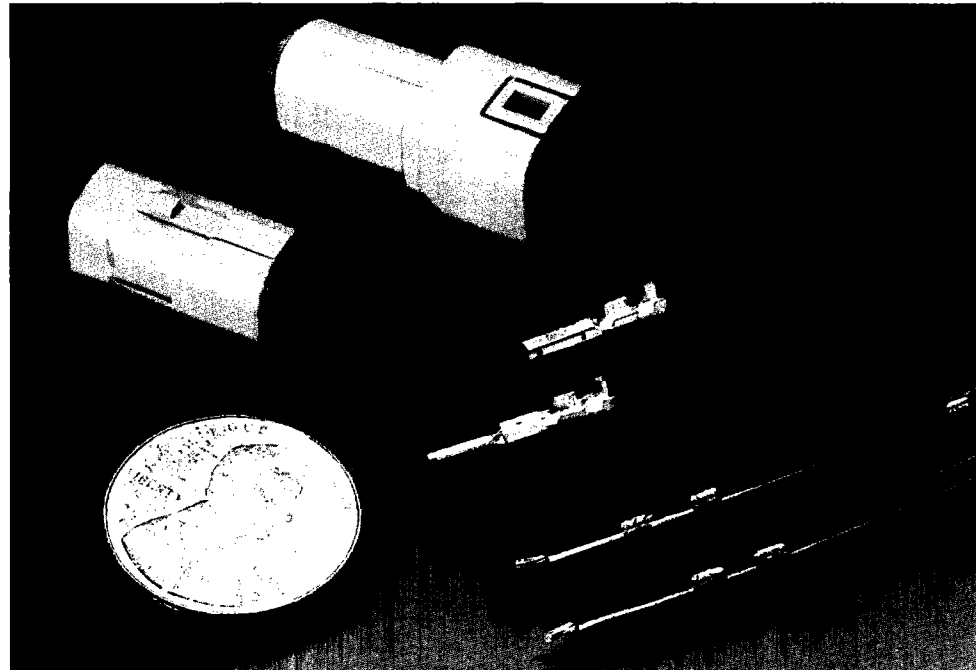
- 0.8 mm [.031 in.] wide tab contacts.
- Tab contacts are made from pre-tin plated brass.
- Receptacle contacts are made from pre-tin plated phosphor bronze.
- Lanceless contact design to eliminate tangling.
- Wire range 0.3 - 0.5 mm² [#22 - #20 AWG].

Wire Seals

- A poke through (matte) wire seal design
- For insulation diameters 1.4 - 1.7 mm [.055 - .067 in.].
- Seal material is NBR.

Connector Housings

- Connector housings produced from green, glass filled PBT.
- Currently available only as a seven position connector.
- Cavity plugs are available to seal unused connector cavities.
- Easy inspection for improperly inserted contacts



AMP Mini MULTILOCK is among the worlds smallest waterproof connector systems. Originally designed for use with the rotary driving circuits of automobile door mirror units, they are suitable for most applications requiring small, water resistant connectors.

Assembly is simplified with the use of snap in crimp contacts and poke through wire seals. All seals are pre-loaded into the connector housings.

The connector housings are designed to prevent incorrect contact insertion. When contacts are properly inserted into the connector housing they produce an audible click to indicate the contact has been oriented correctly and completely inserted.

Cavity plugs are available to seal unused connector cavities for applications in which not all seven connector circuits are required.

All seals and sealing surfaces are located inside of the connector housing to help eliminate possible damage during handling.

Product Performance

Temperature Rating
-40° to 105° C. (including temperature rise due to current load).

Termination Resistance
10 mΩ (Initial)
20 mΩ (Final)

Dielectric Withstanding Voltage
1.0 kVAC for one minute.

Current Guidelines
See page 11 of product specification 108-5426 for information.

Product Documentation

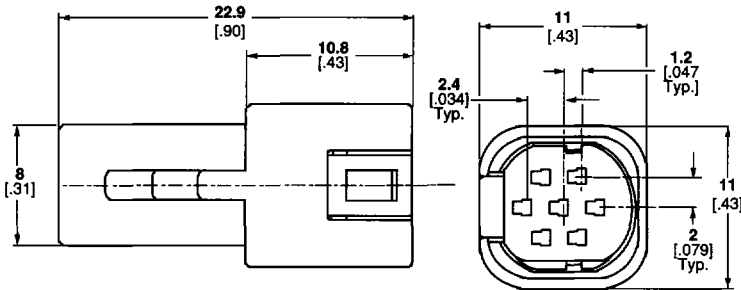
Product Specification
108-5426

Application Specification
114-5193

Customer Manual
412-5653

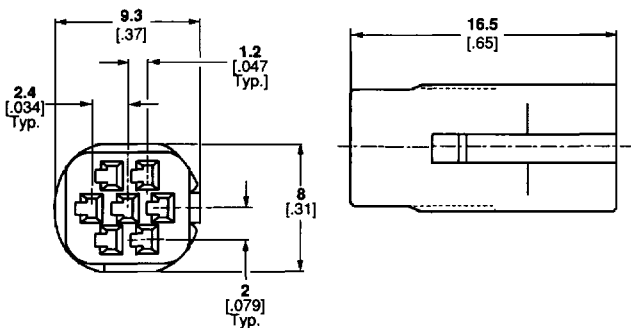
Mini MULTILOCK Connectors (Continued)

Seven Position Cap Housing . . . Use With Tab Contact 917309-1



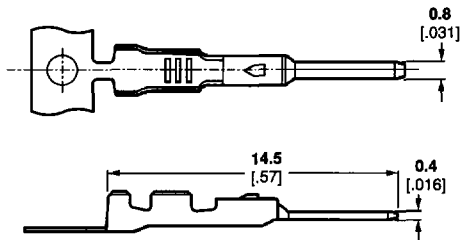
Part Number	Material	Color
917319-4	Glass Filled PBT	Green

Seven Position Plug Housing . . . Use With Receptacle Contact 917308-1



Part Number	Material	Color
917318-4	Glass Filled PBT	Green

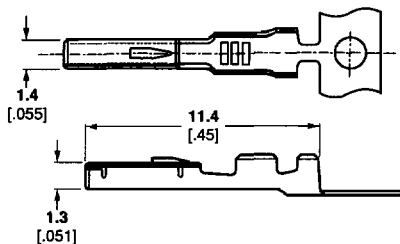
Tab Contact (available in strip form only) . . . Use With Cap Housing 917319-4



Tab contacts are manufactured from 0.2 [.008] thick material

Part Number	Wire Range mm ² /AWG	Wire Ins. Dia. mm/inches	Material & Finish
917309-1	0.3-0.5 [#22-20]	1.4-1.7 [.055-.067]	Brass Pre-Tin Plated

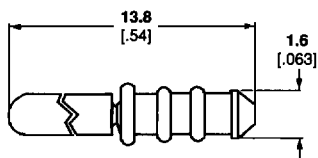
Receptacle Contact (available in strip form only) . . . Use With Plug Housing 917318-4



Receptacle contacts are manufactured from 0.2 [.008] thick material.

Part Number	Wire Range mm ² /AWG	Wire Ins. Dia. mm/inches	Material & Finish
917308-1	0.3-0.5 [#22-20]	1.4-1.7 [.055-.067]	Phosphor Bronze Pre-Tin Plated

Cavity Plug



Part Number	Material	Color
316390-7	PBT	Yellow