

**PLEASE CHECK WWW.MOLEX.COM FOR LATEST PART INFORMATION**

**Part Number:** [0982980001](#)  
**Status:** **Active**  
**Overview:** MOX Products  
**Description:** 2.54mm Pitch MOX Receptacle Housing, 6 Circuits, Breakable, Dual Row, Black

**Documents:**

[Drawing \(PDF\)](#) [Packaging Specification PK-98298-001 \(PDF\)](#)  
[Product Specification PS-98298-001-001 \(PDF\)](#) [RoHS Certificate of Compliance \(PDF\)](#)  
[Application Specification AS-98298-001-001 \(PDF\)](#)

**General**

Product Family	Crimp Housings
Series	98298
Application	Power, Wire-to-Board
Comments	2x3 Circuits
Overview	<a href="#">MOX Products</a>
Product Name	MOX
UPC	756054595343

**Physical**

Circuits (maximum)	6
Color - Resin	Black
Gender	Receptacle
Glow-Wire Capable	No
Keying to Mating Part	None
Lock to Mating Part	Yes
Material - Resin	Polyester
Net Weight	2.530/g
Number of Rows	2
Packaging Type	Bag
Panel Mount	No
Pitch - Mating Interface	2.54mm
Pitch - Termination Interface	2.54mm
Polarized to Mating Part	Yes
Stackable	No
Temperature Range - Operating	-40° to +105°C

**Electrical**

Current - Maximum per Contact	6.0A
-------------------------------	------

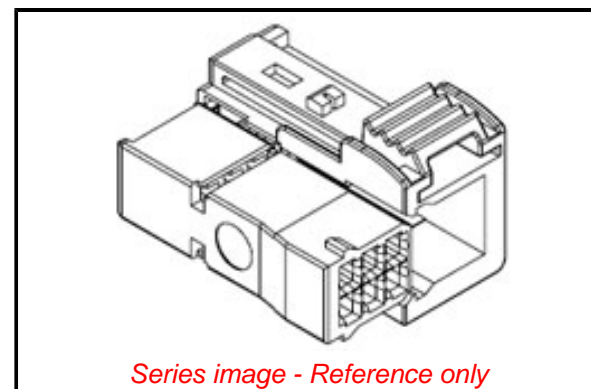
**Solder Process Data**

Lead-freeProcess Capability	N/A
-----------------------------	-----

**Material Info**

**Reference - Drawing Numbers**

Application Specification	AS-98298-001-001
Packaging Specification	PK-98298-001
Product Specification	PS-98298-001-001
Sales Drawing	SD-98298-002, SD-98298-003



**EU ELV**

**Compliant**

**EU RoHS**

**Compliant**

**REACH SVHC**

Not Contained Per -  
D(2020)4578-DC (25  
June 2020)

**Halogen-Free**

**Status**

**Low-Halogen**

For more information, please visit [Contact US](#)

China ROHS

ELV

RoHS Phthalates

**China RoHS**

Green Image

Compliant

Not Contained

**Search Parts in this Series**

[98298 Series](#)

**Mates With**

Please Contact Molex for Details

**Use With**

[98658 MOX Crimp Terminal](#)