

926330-1 ✓ ACTIVE

[Positive Lock](#) | [Positive Lock 250](#)

TE Internal #: 926330-1

Crimp Terminal Housings, Receptacle, Receptacle, 6 Position,
Straight, UL 94V-0, Black, Polyamide 6.6 GF, Mating Alignment,
Positive Lock 250

[View on TE.com >](#)



Terminals & Splices > Terminal Housings, Insulation Sleeves & Blocks > Crimp Terminal Housings



Terminal Type: **Receptacle**

Housing Type: **Receptacle**

Number of Positions: **6**

Terminal Orientation: **Straight**

UL Flammability Rating: **UL 94V-0**

Features

Product Type Features

| | |
|--------------|------------------|
| Product Type | Terminal Housing |
| Sealable | No |
| Housing Type | Receptacle |
| Insulated | No |

Configuration Features

| | |
|---------------------|---|
| Number of Positions | 6 |
|---------------------|---|

Body Features

| | |
|-----------------------|-------|
| Primary Product Color | Black |
|-----------------------|-------|

Contact Features

| | |
|--------------------------|------------|
| Terminal Type | Receptacle |
| Terminal Orientation | Straight |
| Contact Mating Retention | Without |

Mechanical Attachment



| | |
|---------------------------------------|----------------------------|
| Mating Alignment Type | Polarization |
| Mating Alignment | With |
| Crimp Terminal Housing Mounting Style | Cable Mount (Free-Hanging) |

Housing Features

| | |
|--------------------|------------------|
| Housing Material | Polyamide 6.6 GF |
| Centerline (Pitch) | 9.1 mm[.358 in] |

Usage Conditions

| | |
|-----------------------------|----------------------------|
| Operating Temperature Range | -40 – 105 °C[-40 – 221 °F] |
|-----------------------------|----------------------------|

Industry Standards

| | |
|------------------------|----------|
| UL Flammability Rating | UL 94V-0 |
|------------------------|----------|

Packaging Features

| | |
|--------------------|--------|
| Packaging Quantity | 1000 |
| Packaging Method | Carton |

Product Compliance

[For compliance documentation, visit the product page on TE.com>](#)

| | |
|---|--|
| EU RoHS Directive 2011/65/EU | Compliant |
| EU ELV Directive 2000/53/EC | Compliant |
| China RoHS 2 Directive MIIT Order No 32, 2016 | No Restricted Materials Above Threshold |
| EU REACH Regulation (EC) No. 1907/2006 | Current ECHA Candidate List: JUNE 2022 (224) Candidate List Declared Against: JAN 2021 (211) SVHC > Threshold: Not Yet Reviewed |
| Halogen Content | Low Halogen - Br, Cl, F, I < 900 ppm per homogenous material. Also BFR/CFR/PVC Free |
| Solder Process Capability | Not applicable for solder process capability |

Product Compliance Disclaimer

This information is provided based on reasonable inquiry of our suppliers and represents our current actual knowledge based on the information they provided. This information is subject to change. The part numbers that TE has identified as EU RoHS compliant have a maximum concentration of 0.1% by weight in homogenous materials for lead, hexavalent chromium, mercury, PBB, PBDE, DBP, BBP, DEHP, DIBP, and 0.01% for cadmium, or qualify for an exemption to these limits as defined in the Annexes of Directive 2011/65/EU (RoHS2). Finished electrical and electronic equipment products will be CE marked as required by Directive 2011/65/EU. Components may not be CE marked. Additionally, the part numbers that TE has identified as EU ELV compliant have a maximum concentration of 0.1% by weight in homogenous materials for lead, hexavalent chromium, and mercury, and 0.01% for cadmium, or qualify for an exemption to these limits as defined in the Annexes of Directive 2000/53/EC (ELV). Regarding the REACH Regulation, the information TE provides

on SVHC in articles for this part number is based on the latest European Chemicals Agency (ECHA) 'Guidance on requirements for substances in articles' posted at this URL: <https://echa.europa.eu/guidance-documents/guidance-on-reach>

Compatible Parts



Also in the Series | **Positive Lock 250**



Automotive Terminals(1)



Crimp Terminal Housings(203)



Insertion & Extraction Tools(3)

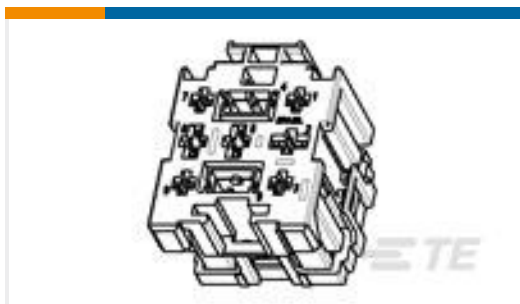


Insulation Boots & Sleeves(4)

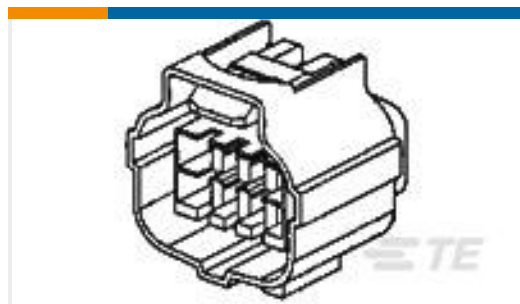


Quick Disconnects(189)

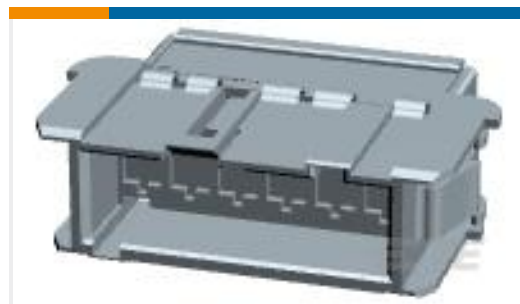
Customers Also Bought



TE Part #444020-1
9P HSG ASS'Y JR/STD



TE Part #444011-1
KIT ECONOSEAL J 12



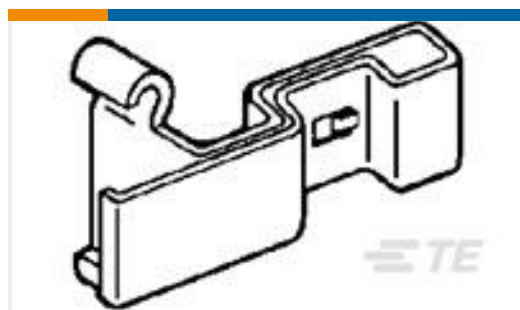
TE Part #927742-6
6 POS FASTIN/ON HOUSING PANEL MOUNT



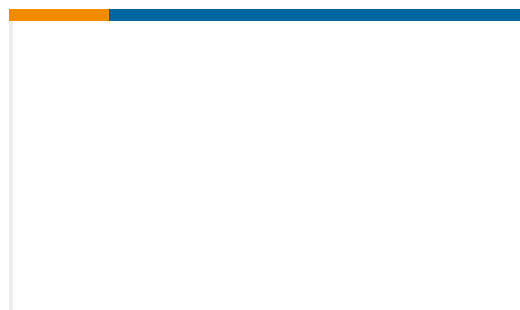
TE Part #881606-2
FF 375 RECEPTACLE 4.0-6.0 MM2 1.01 TPBR



TE Part #880643-2
RING TONGUE 1.0-2.5 MM2 0.61X14.60 TPBR



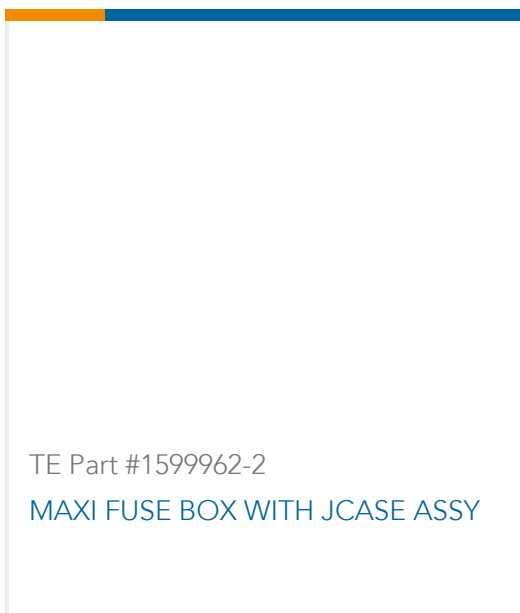
TE Part #745779-3
SPRING LATCH,BULK PKG



TE Part #881572-4
FUSE CONTACT BUS BA



TE Part #E296612001
DSPL-NR1-X-STK



TE Part #1599962-2
MAXI FUSE BOX WITH JCASE ASSY

Documents



Product Drawings

PL 250 REC HSG 6P NYLON BLACK

English

CAD Files

Customer View Model

[ENG_CVM_CVM_926330-1_F.2d_dxf.zip](#)

English

3D PDF

3D

Customer View Model

[ENG_CVM_CVM_926330-1_F.3d_igs.zip](#)

English

Customer View Model

[ENG_CVM_CVM_926330-1_F.3d_stp.zip](#)

English

By downloading the CAD file I accept and agree to the [Terms and Conditions](#) of use.

Product Environmental Compliance

Product Compliance

English

Product Compliance

English