



Sealed Sensor Connector SSC System

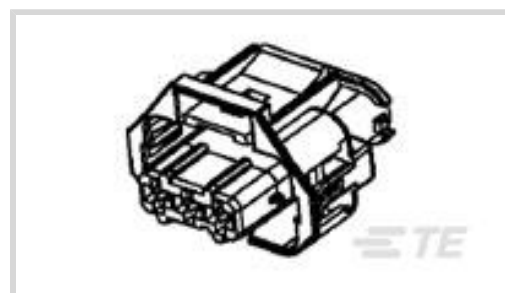
TE Internal #: 936061-2

Wire-to-Device / Wire-to-Board, 3 Position, .197 in [5 mm]

Centerline, Sealable, Black, Signal, Sealed Sensor Connector SSC System

[View on TE.com >](#)

Connectors > Automotive Connectors > Connector Housings > AMP MCP, SEALED CONNECTOR HOUSING



Mating Tab Width: 2.8 mm [.11 in]

Connector System: Wire-to-Board, Wire-to-Device

Number of Positions: 3

Centerline (Pitch): 5 mm [.197 in]

Sealable: Yes

[All AMP MCP, SEALED CONNECTOR HOUSING \(158\)](#)

Features

Product Type Features

Connector & Housing Shape	Rectangular
Connector System	Wire-to-Board, Wire-to-Device
Sealable	Yes
Hybrid Connector	No

Configuration Features

Number of Positions	3
Number of Rows	1

Body Features

Body Material	PA GF
Primary Product Color	Black
Connector Code	II

Contact Features

Contact Size	2.8mm
Mating Tab Width	2.8 mm[.11 in]

Mechanical Attachment

Terminal Position Assurance	No
-----------------------------	----



Strain Relief	Without
---------------	---------

Mating Alignment Type	Keyed
-----------------------	-------

Mating Alignment	With
------------------	------

Connector Mounting Type	Cable Mount (Free-Hanging)
-------------------------	----------------------------

Housing Features

Centerline (Pitch)	5 mm [.197 in]
--------------------	----------------

Dimensions

Product Width	20.1 mm [.791 in]
---------------	-------------------

Product Length	30 mm [1.181 in]
----------------	------------------

Product Height	30.5 mm [1.201 in]
----------------	--------------------

Operation/Application

Circuit Application	Signal
---------------------	--------

Packaging Features

Packaging Quantity	150
--------------------	-----

Packaging Method	Bag
------------------	-----

Other

Serviceable	No
-------------	----

Connector Position Assurance Capable	No
--------------------------------------	----

Product Compliance

[For compliance documentation, visit the product page on TE.com>](#)

EU RoHS Directive 2011/65/EU	Compliant
------------------------------	-----------

EU ELV Directive 2000/53/EC	Compliant
-----------------------------	-----------

China RoHS 2 Directive MIIT Order No 32, 2016	No Restricted Materials Above Threshold
---	---

EU REACH Regulation (EC) No. 1907/2006	Current ECHA Candidate List: JUNE 2022 (224) Candidate List Declared Against: JAN 2022 (223) SVHC > Threshold: Not Yet Reviewed
--	--

Halogen Content	Low Halogen - Br, Cl, F, I < 900 ppm per homogenous material. Also BFR/CFR/PVC Free
-----------------	---

Solder Process Capability	Not applicable for solder process capability
---------------------------	--

Product Compliance Disclaimer

This information is provided based on reasonable inquiry of our suppliers and represents our current actual knowledge based on the information they provided. This information is subject to change. The part numbers that TE has identified as EU RoHS compliant have a maximum concentration of 0.1% by weight in homogenous materials for lead, hexavalent chromium, mercury, PBB, PBDE, DBP, BBP, DEHP, DIBP, and 0.01% for cadmium, or qualify for an exemption to these limits as defined in the Annexes of Directive 2011/65/EU (RoHS2). Finished electrical and electronic equipment products will be CE marked as required by Directive 2011/65/EU. Components may not be CE marked. Additionally, the part numbers that TE has identified as EU ELV compliant have a maximum concentration of 0.1% by weight in homogenous materials for lead, hexavalent chromium, and mercury, and 0.01% for cadmium, or qualify for an exemption to these limits as defined in the Annexes of Directive 2000/53/EC (ELV). Regarding the REACH Regulation, the information TE provides on SVHC in articles for this part number is based on the latest European Chemicals Agency (ECHA) 'Guidance on requirements for substances in articles' posted at this URL: <https://echa.europa.eu/guidance-documents/guidance-on-reach>

Compatible Parts



TE Part # CAT-AM706-T273
AMP MCP, SFC, RECEPTACLE



TE Part # 936112-1
2.8mm Sealed 3P Cover



TE Part # 936106-1
2.8MM SLD 3P PLUG RETAINER YEL



TE Part # 936106-3
2.8MM SLD 3P PLUG RETAINER GRY




TE Part # 2297696-2
2.8MM SLD 3P PLUG COVER HSG

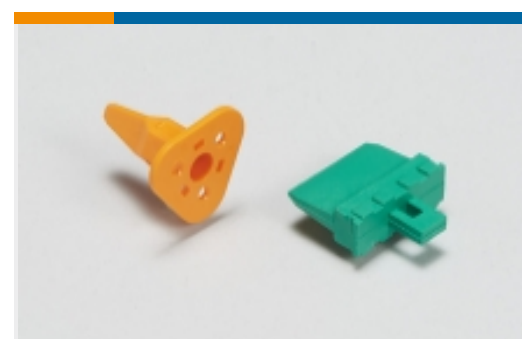


TE Part # 936106-2
2.8MM SLD 3P PLUG RETAINER BLK


Also in the Series | Sealed Sensor Connector SSC System




Automotive Connector Caps & Covers (7)



Automotive Connector Locks & Position Assurance(6)



Automotive Housings(174)



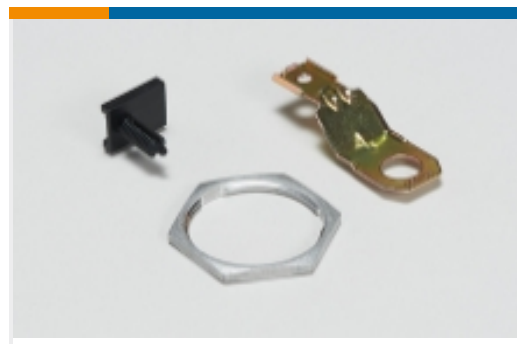
Automotive Seals & Cavity Plugs(3)



Automotive Terminals(8)

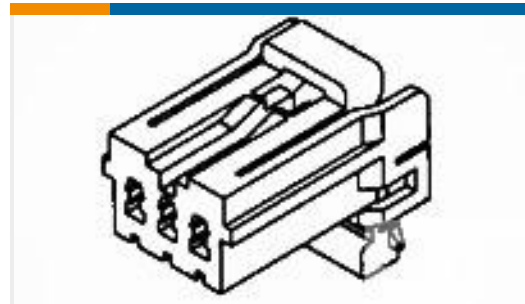


Insertion & Extraction Tools(1)

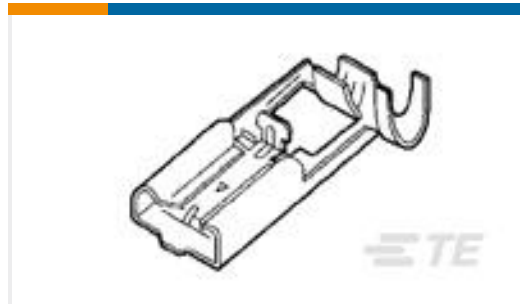


Other Automotive Connector Accessories(7)

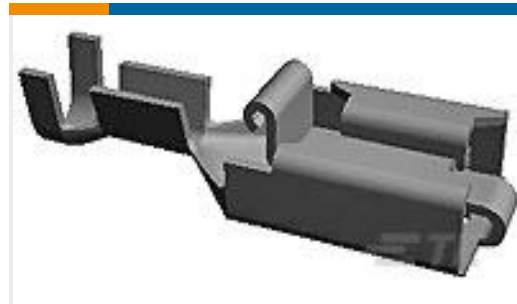
Customers Also Bought



TE Part #368501-1
070 MLC PLUG HSG 4P



TE Part #172795-1
PL 312 FLAG REC 20-14 0.32 X 24.9 PTPBR



TE Part #880646-5
PL REC 0.5-1.0 MM2 0.40 X 52.32 PTPBR



TE Part #1703278-2
TAB A 1.6x0.6 CONTACT CF SWS Sn PTPBR



TE Part #1544226-1
PL 3V 6,35 MM NG1



TE Part #2-1904011-1
V23234C0001X003-EV-144



TE Part #1544218-1
LANGUETTE 6,3 NG1



TE Part #1544225-1
PC 3V 6,35 MM NG1



TE Part #1112063001
ACW0219-1.50-59(NS)



TE Part #1587042-1
34P MALE CAP ASSY-KEY A

Documents

Product Drawings

[2.8MM SLD 3P PLUG ASSY-RAIL](#)

English

CAD Files

Customer View Model

[ENG_CVM_CVM_936061-2_C.2d_dxf.zip](#)

English

[3D PDF](#)



3D

Customer View Model

[ENG_CVM_CVM_936061-2_C.3d_igs.zip](#)

English

Customer View Model

[ENG_CVM_CVM_936061-2_C.3d_stp.zip](#)

English

By downloading the CAD file I accept and agree to the [Terms and Conditions](#) of use.

Product Specifications

[Application Specification](#)

English

[2.8MM SENSOR FLAT TYPE RECEPTACLE CONTACT SYSTEM](#)

English

[Application Specification](#)

English