

926635-1 ✓ ACTIVE

AMPMODU | AMPMODU IV/V

TE Internal #: 926635-1

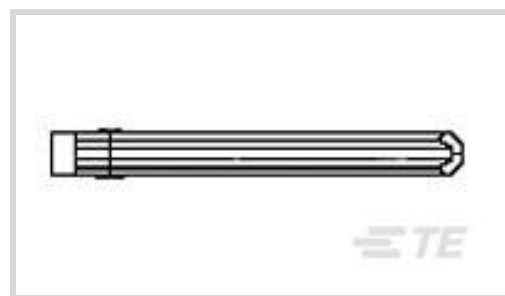
PCB Latches, Locks & Retainers, Locking Device, Signal, -65 – 105 °

C [-85 – 221 °F], AMPMODU IV/V

[View on TE.com >](#)



Connectors > PCB Connectors > PCB Connector Accessories > PCB Connector Hardware > PCB Latches, Locks & Retainers



Connector & Contact Retention Accessory Type: **Locking Device**

Contact Current Rating (Max): **3 A**

Circuit Application: **Signal**

Operating Temperature Range: **-65 – 105 °C [-85 – 221 °F]**

Features

Product Type Features

Connector & Contact Retention Accessory Type	Locking Device
----------------------------------------------	----------------

Body Features

Primary Product Material	Polyamide 6.6 GF
Primary Product Color	Black

Contact Features

Contact Current Rating (Max)	3 A
------------------------------	-----

Usage Conditions

Operating Temperature Range	-65 – 105 °C[-85 – 221 °F]
-----------------------------	----------------------------

Operation/Application

Circuit Application	Signal
---------------------	--------

Industry Standards

Glow Wire Rating	Standard Part - Not Glow Wire
------------------	-------------------------------

Packaging Features

Packaging Quantity	2000
Packaging Method	Box

Product Compliance

[For compliance documentation, visit the product page on TE.com>](#)

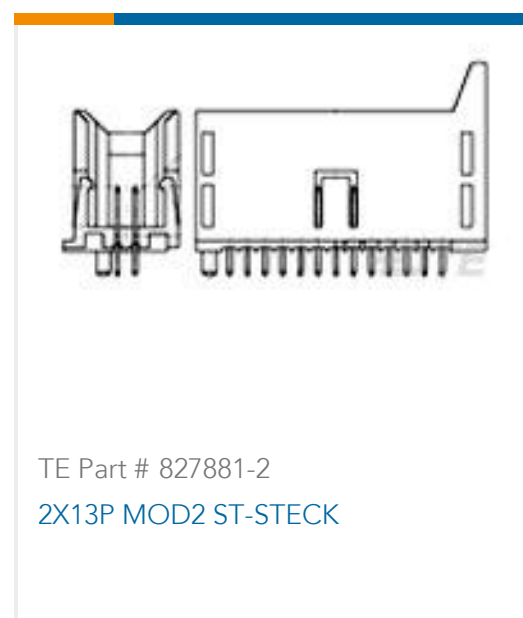
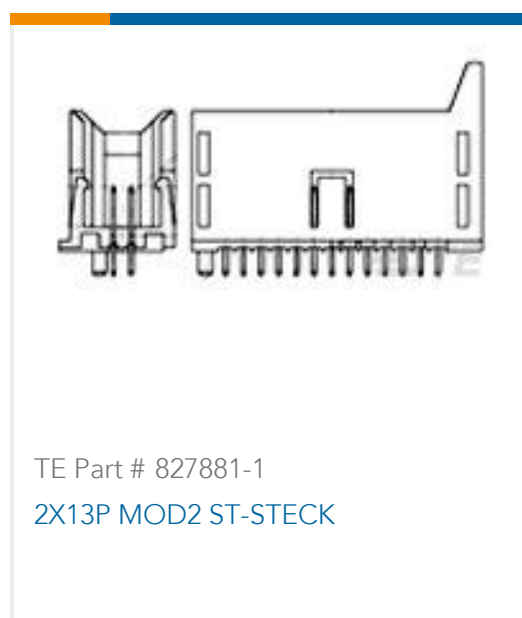
EU RoHS Directive 2011/65/EU	Compliant
------------------------------	-----------

EU ELV Directive 2000/53/EC	Compliant
China RoHS 2 Directive MIIT Order No 32, 2016	No Restricted Materials Above Threshold
EU REACH Regulation (EC) No. 1907/2006	Current ECHA Candidate List: JUNE 2022 (224) Candidate List Declared Against: JUNE 2022 (224) Does not contain REACH SVHC
Halogen Content	Low Halogen - Br, Cl, F, I < 900 ppm per homogenous material. Also BFR/CFR/PVC Free
Solder Process Capability	Not applicable for solder process capability

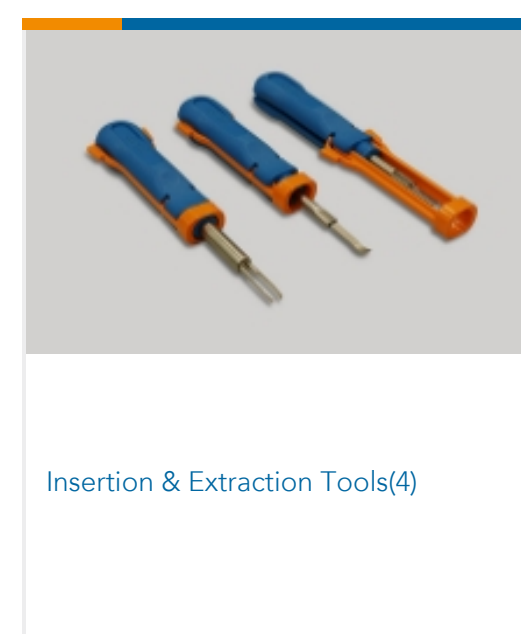
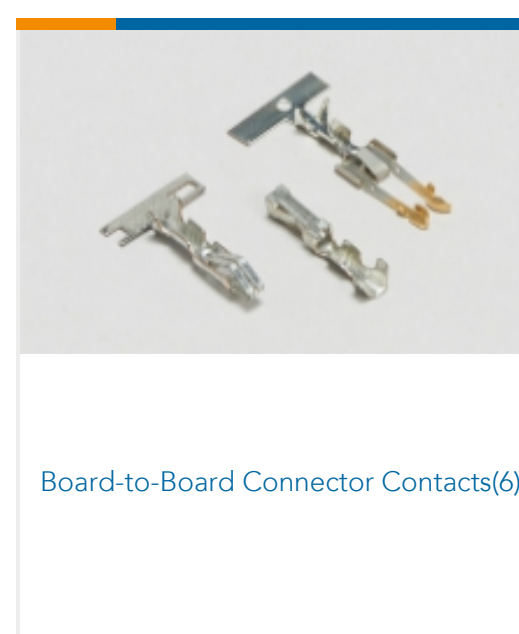
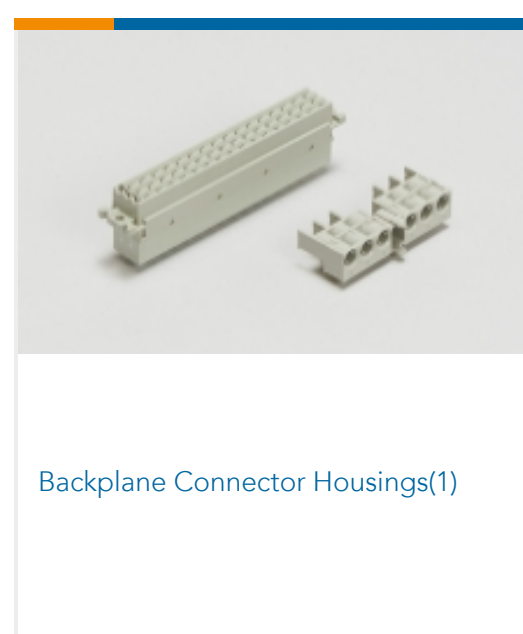
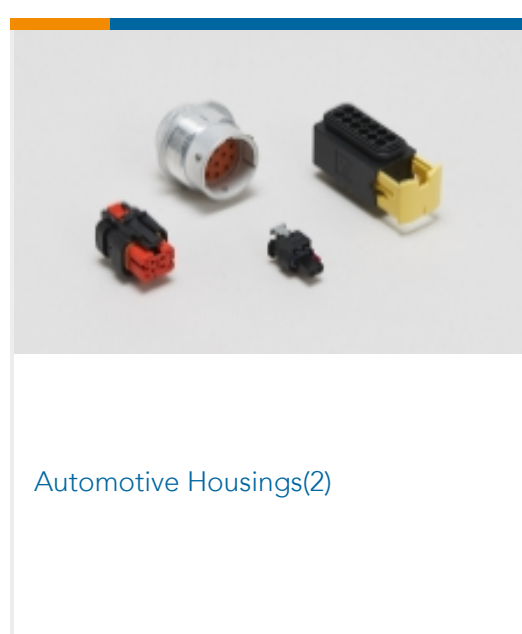
Product Compliance Disclaimer

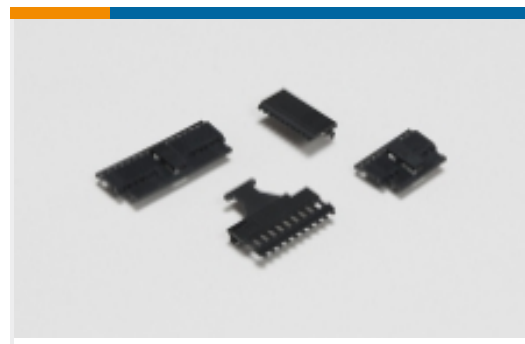
This information is provided based on reasonable inquiry of our suppliers and represents our current actual knowledge based on the information they provided. This information is subject to change. The part numbers that TE has identified as EU RoHS compliant have a maximum concentration of 0.1% by weight in homogenous materials for lead, hexavalent chromium, mercury, PBB, PBDE, DBP, BBP, DEHP, DIBP, and 0.01% for cadmium, or qualify for an exemption to these limits as defined in the Annexes of Directive 2011/65/EU (RoHS2). Finished electrical and electronic equipment products will be CE marked as required by Directive 2011/65/EU. Components may not be CE marked. Additionally, the part numbers that TE has identified as EU ELV compliant have a maximum concentration of 0.1% by weight in homogenous materials for lead, hexavalent chromium, and mercury, and 0.01% for cadmium, or qualify for an exemption to these limits as defined in the Annexes of Directive 2000/53/EC (ELV). Regarding the REACH Regulation, the information TE provides on SVHC in articles for this part number is based on the latest European Chemicals Agency (ECHA) 'Guidance on requirements for substances in articles' posted at this URL: <https://echa.europa.eu/guidance-documents/guidance-on-reach>

Compatible Parts



Also in the Series | AMPMODU IV/V

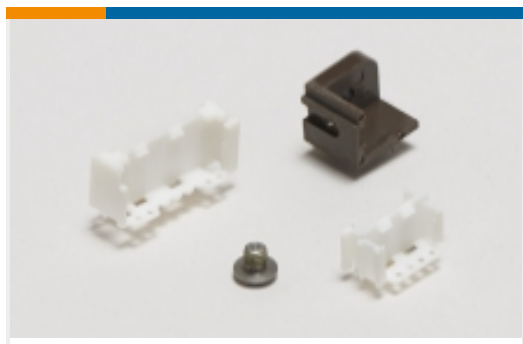




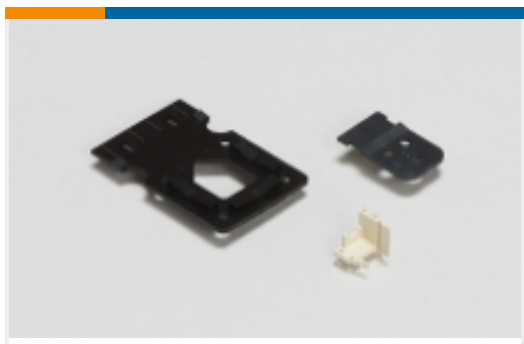
PCB Connector Covers(18)



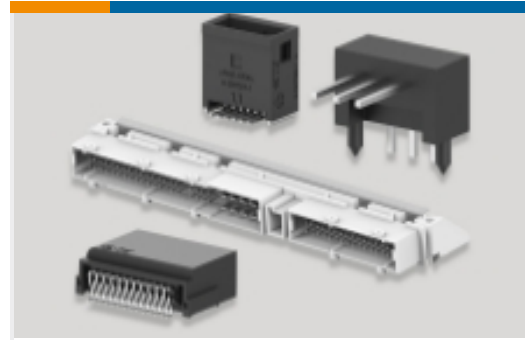
PCB Connector Keying(6)



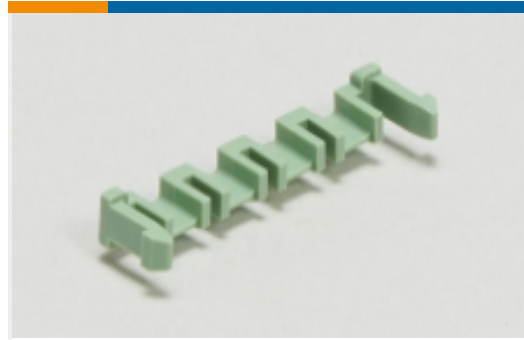
PCB Connector Mounting(1)



PCB Connector Strain Relief(3)



PCB Headers & Receptacles(939)



PCB Latches, Locks & Retainers(9)



Rectangular Connector Housings(5)



Standard Rectangular Connectors(8)



Wire-to-Board Connector Assemblies & Housings(467)

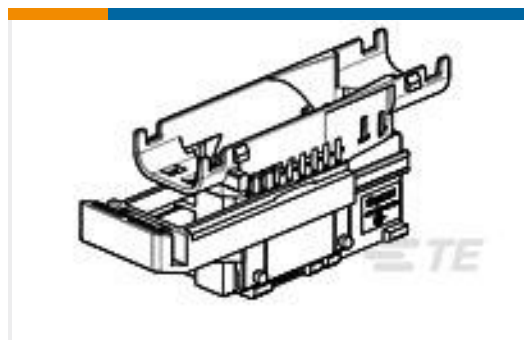


Wire-to-Board Connector Contacts (326)

Customers Also Bought



TE Part #2035366-9
Backshell, AS16, 4P, 90Deg, NC12, LP, Plug



TE Part #1394522-3
MIXED SOCKET HOUSING, 42POS.,



TE Part #180900-5
FF 250 REC HSG 4P NYLON BLACK



TE Part #5-965907-5
MQS SOCKET CONTACT SWS



TE Part #965662-1
KONTAKTSICHERUNG



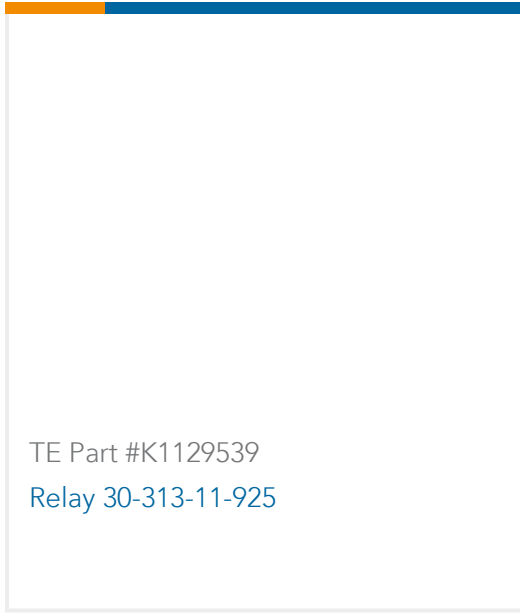
TE Part #964456-1
KONTAKTSICHERUNG16P



TE Part #1-963734-2
TAB 5.8x0.8 CONTACT CS SRC Ag



TE Part #1718968-1
ROUND NUT M28x1.5



Documents

Product Drawings

[LOCKING SLIDE](#)

English

CAD Files

[3D PDF](#)

English

Customer View Model

[ENG_CVM_926635-1_D.2d_dxf.zip](#)

English

Customer View Model

[ENG_CVM_926635-1_D.3d_igs.zip](#)

English

Customer View Model

[ENG_CVM_926635-1_D.3d_stp.zip](#)

English

By downloading the CAD file I accept and agree to the [Terms and Conditions](#) of use.

Product Specifications

[Product Specification](#)

English