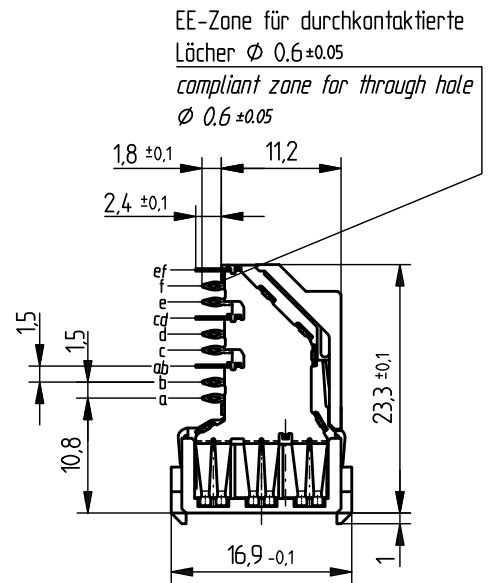
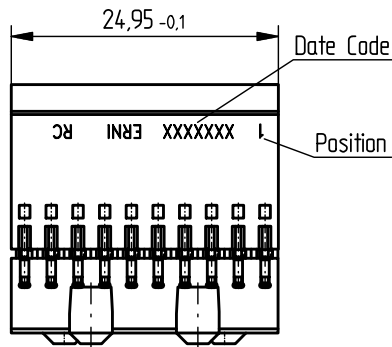
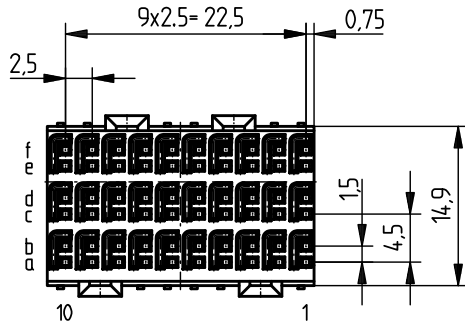
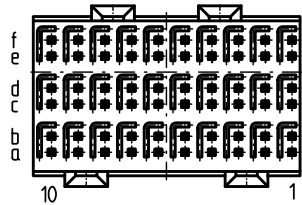
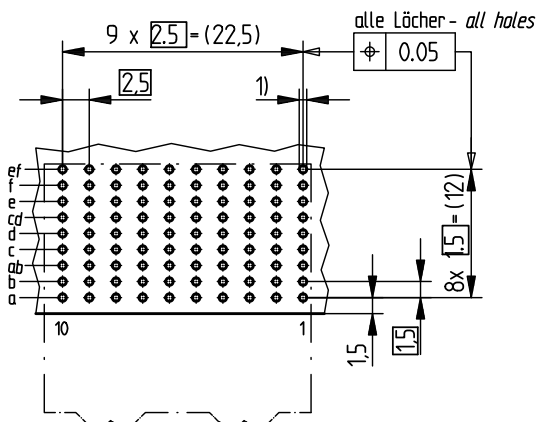


Bestückungsplan - contact layout



Lochbild für Leiterplatte Board hole pattern
(Bestückungsseite) (Component mounting side)



- 1) $\Phi 0.6 \pm 0.05$ Durchmesser des metallisierten Loches
 $\Phi 0.6 \pm 0.05$ Diameter of finished plated-through hole
- $\Phi 0.7 \pm 0.02$ Bohrungsdurchmesser des Loches
 $\Phi 0.7 \pm 0.02$ Diameter of drilled hole

Schichtaufbau im metallisierten Loch
siehe Zeichnung 114406

Metal plating of plated-through hole
see drawing 114406

Consider protection memo from DIN 34

Tolerances		 All Dimensions in mm	Scale	2:1
All rights reserved. Only for information. To insure that this is the latest version of this drawing, please contact one of the ERNI companies before using.			Designation ERmetZD Federleiste 3-10 <i>ERmetZD Fem. Connector 3-10</i>	
Subject to modification without prior notice. Drawing will not be updated.		www.ERNI.com		973028
d	29.09.2009	V:00068444.SZA		ERMZD
Index	Date			