

SPECIFICATIONS

Mechanical

Contact Retention Force: 0.10kg min.
Durability : 60 Cycles

Electrical

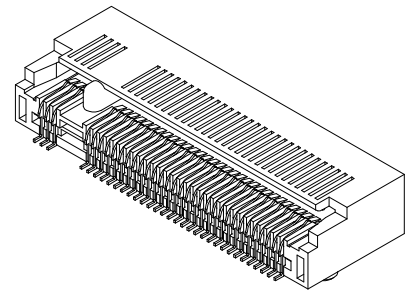
Voltage Rating: 50V
Current Rating: 0.5A
Contact Resistance: 55mΩ max.
Dielectric Withstanding Voltage: 300V AC/1 min.
Insulation Resistance: 500MΩ

Physical

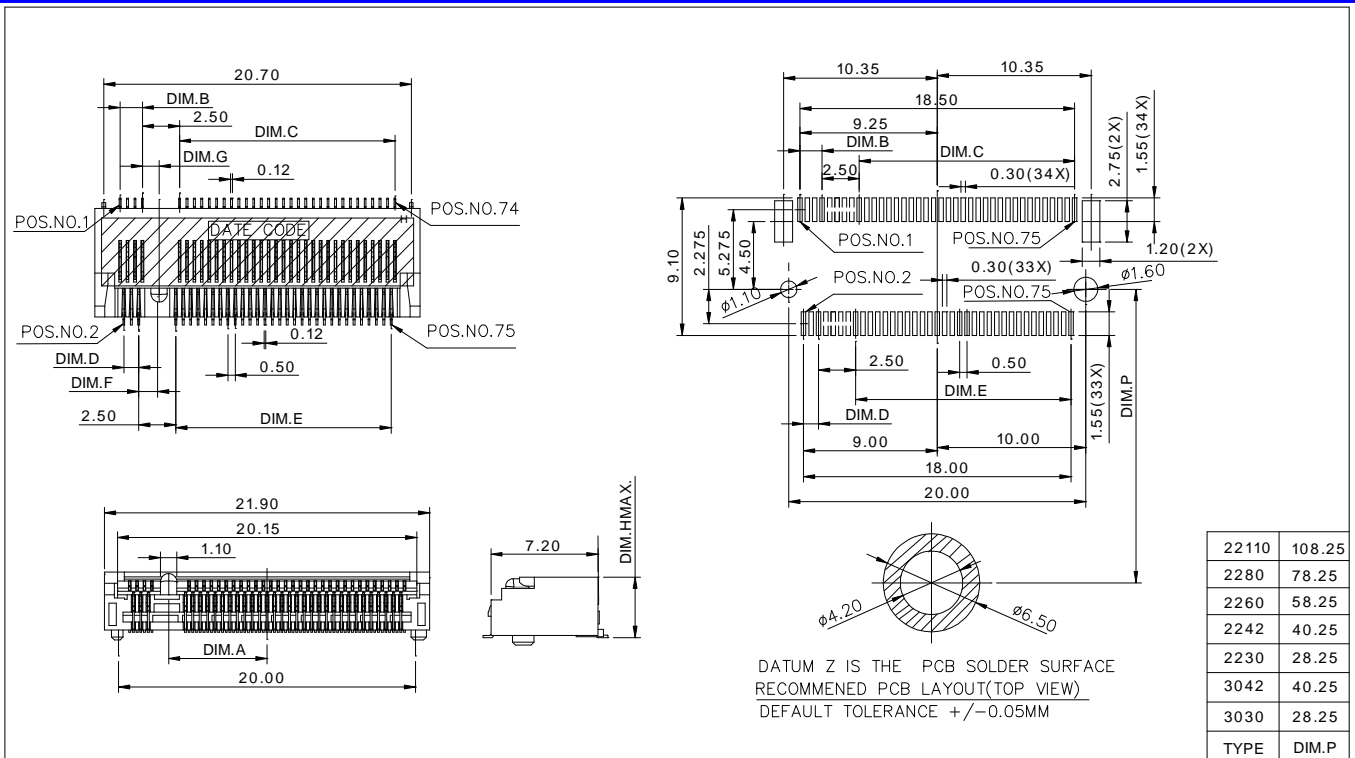
Housing: Thermoplastic, UL 94V-0 rated in Ivory Color
Contact: Copper alloy
Plating: See "ORDERING INFORMATION"
Metal Spring: Copper alloy
Operating Temperature: -40°C to +80°C

AS Series

3.0mm&4.0mm Height
SMT Type
0.50mm Pitch
75 Pos.



DRAWING



ORDERING INFORMATION

PART NO. : **A S 0 B C 2 * - S ** B * - 7 H**

MEMORY MODULE SOCKET — A
 HORIZONTAL TYPE — S
 SINGLE ROW — 0
 BC=0.5P NGFF — B
 SMT — C
 CONTACT AREA PLATING
 1=GOLD FLASH
 Y=5u" GOLD PLATING
 6=10u" GOLD PLATING
 7=15u" GOLD PLATING
 3=30u" GOLD PLATING — 2

STANDARD TYPE — S
 30=3.0mm HEIGHT — **
 40=4.0mm HEIGHT — B
 KEY NAME — *
 B=BLACK COLOR — B
 7=TAPE&REEL — 7
 H=HALOGEN/LEAD FREE — H

KEY M	-6.125	14.0	2.0	14.0	1.5	1.125	1.375	AS0BC2*-S**BM-7H
KEY E	2.625	5.5	10.50	5.0	10.5	1.375	1.125	AS0BC2*-S**BE-7H
KEY B	5.625	2.5	13.50	2.0	13.5	1.375	1.125	AS0BC2*-S**BB-7H
KEY A	6.625	1.5	14.50	1.0	14.5	1.375	1.125	AS0BC2*-S**BA-7H
KEY NAME	DIM.A	DIM.B	DIM.C	DIM.D	DIM.E	DIM.F	DIM.G	P/N