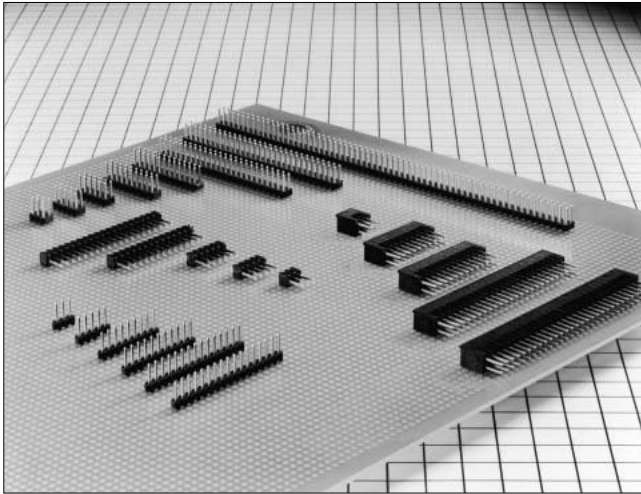


2.54mm Pitch High Density Connector

A1 and A2 Series



■ Features

1. High Density Mounting

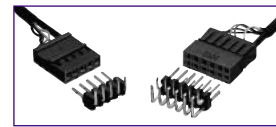
Connectors are aligned in the longitudinal direction on the 2.54 mm mesh board, so that no idle space can occur.

2. Variation in Number of Contacts

The A1 series contains 16 types of 6 to 64 contacts, while the A2 series contains 20 types of 1 to 20 contacts,

3. Compatibility

The A1 series is compatible with HIF3B series cable side and HIF3H receptacle for wide applications.



■ Product Specifications

Rating	Rated Current: 3A	Operating Temperature Range: -55~+85°C (Note 1)	Storage Temperature Range: -10~+60°C (Note 2)
	Rated Voltage: 200V AC	Operating Moisture Range: 40~80%	Storage Humidity Range: 40~70% (Note 2)

Item	Specification	Condition
1. Insulation Resistance	1000MΩ min.	Measured at 500V DC
2. Withstand voltage	Neither short or breakdown	650V AC rms for 1 minute
3. Contact Resistance	15mΩ max.	Measured at 0.1A
4. Vibration	Electrical discontinuity, 1μs max.	10~55Hz and single amplitude 0.75mm in 3 directions for 2 hours
5. Moisture Resistance	Insulation resistance 1000MΩ min.	Exposed to temperature 40±2°C and humidity 90~95% for 96 hours
6. Temperature Cycle	No defect such as crack or split occurs	(-65°C: 30 minutes → 15~35°C: 5 minutes max. → 125°C: 30 minutes → 15~35°C: 5 minutes max.) 5 cycles
7. Operating Life	Contact resistance: 15mΩ max.	100 cycles
8. Resistance to Soldering heat	No resin area fusion to degrade performance	Automatic soldering: 260°C for 10 seconds Manual soldering: Soldering iron temperature: 300°C for 3 seconds

Note 1. Temperature rise is included when energized.

Note 2. This storage indicates a long-term storage state for the unused product before the board mounted.

The operating temperature and moisture ranges are applied to the non-energized state or temporary storage state for transpiration after the connector has been installed to the board.

Note 3. The above standards represent this series. Individual formal agreement should be based on the "Specification".

■ Applications

Computers, VTR, and other various kinds of electronic equipment

■ Material

Part		Material	Finish	Remarks
Pin header	Insulator	PBT	Black	UL94V-0
	Contact	Brass	Selective gold plating	————
Crimping socket		Polyamid	Black	UL94V-0
Crimping contact		Phosphor bronze	Selective old plating	————

■ Ordering Information

K Please determine the specific product. If needed, please select and order the product from the product No. as listed on catalog pages C4~C9.

K Pin Header

A 1 - 6 P A - 2.54 DS
q w e r t y u

q	Series Name: A
w	Series No.:1 (single row) 2 (double row)
e	Number of contacts: A1...6, 8, 10, 12, 14, 16, 20, 24, 26, 34, 40, 50, 60, 64 A2...1, 2, 3, 4, 5, 6, 7, 8, 9, 10, 11, 12, 13, 14, 15, 16, 17, 18, 19, 20
r	P: Pin header
t	A: Selective gold plating
y	Contact pitch : 2.54mm
u	Contact type: DS : Right angle type DSA : Straight type

K Crimping Socket

A 1 - 12 D - 2.54 C
q w e r t y

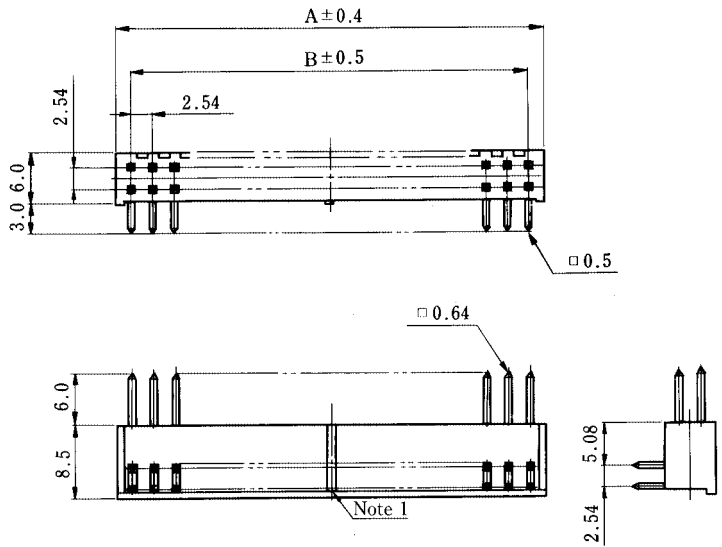
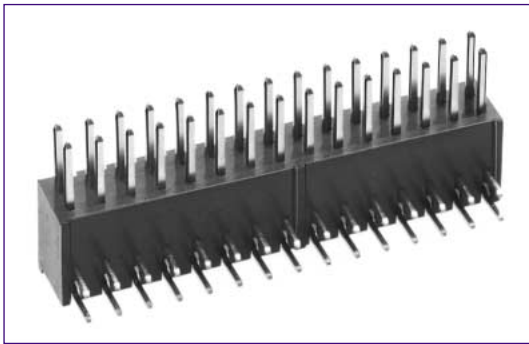
q	Series Name : A
w	Series No. : 1 (single row) 2 (double row)
e	Number of contacts: A1 : 8, 10, 12 A2 : 5, 6
r	Contact alignment : A1 : D (double row) A2 : S (single row)
t	Contact pitch : 2.54mm
y	Connection type: C : crimping

K Crimping Contact

A 1 - 3236 - SCFC
q w e r

q	Series Name : A
w	Series No. : 1
e	Applicable cable size 2226: AWG#22~ AWG#26 2630: AWG#26~ AWG#30 3236: AWG#32~ AWG#36
r	Packaging type SCFC : Reel SCC : Bag

■ A1 (Double Row)- Right Angle Type

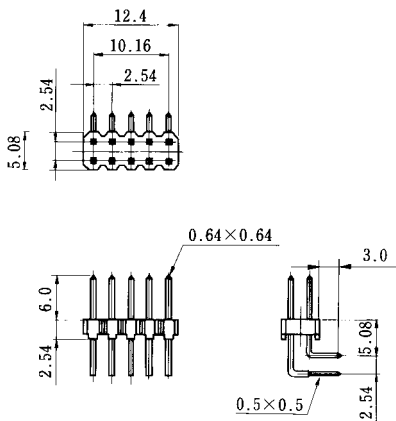


Unit: mm

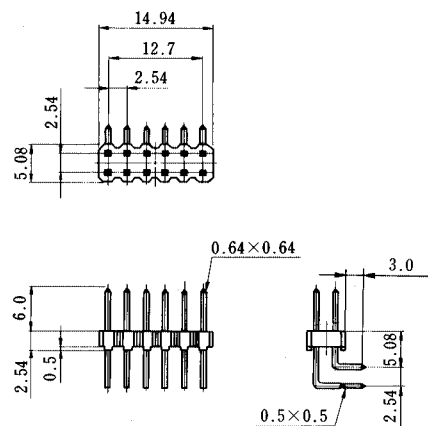
Product No.	HRS No.	Number of Contacts	A	B
A1- 6PA-2.54DS	CL619-0001-7	6	7.62	5.08
A1- 8PA-2.54DS	CL619-0016-4	8	10.16	7.62
A1-10PA-2.54DS	CL619-0002-0	10	12.70	10.16
A1-12PA-2.54DS	CL619-0003-2	12	15.24	12.70
A1-14PA-2.54DS	CL619-0004-5	14	17.78	15.24
A1-16PA-2.54DS	CL619-0005-8	16	20.32	17.78
A1-18PA-2.54DS	CL619-0006-0	18	22.86	20.32
A1-20PA-2.54DS	CL619-0007-3	20	25.40	22.86

Unit: mm

Product No.	HRS No.	Number of Contacts	A	B
A1-26PA-2.54DS	CL619-0009-9	26	33.02	30.48
A1-30PA-2.54DS	CL619-0010-8	30	38.10	35.56
A1-34PA-2.54DS	CL619-0011-0	34	43.18	40.64
A1-40PA-2.54DS	CL619-0012-3	40	50.80	48.26
A1-50PA-2.54DS	CL619-0013-6	50	63.50	60.96
A1-60PA-2.54DS	CL619-0014-9	60	76.20	73.66
A1-64PA-2.54DS	CL619-0015-1	64	81.28	78.74

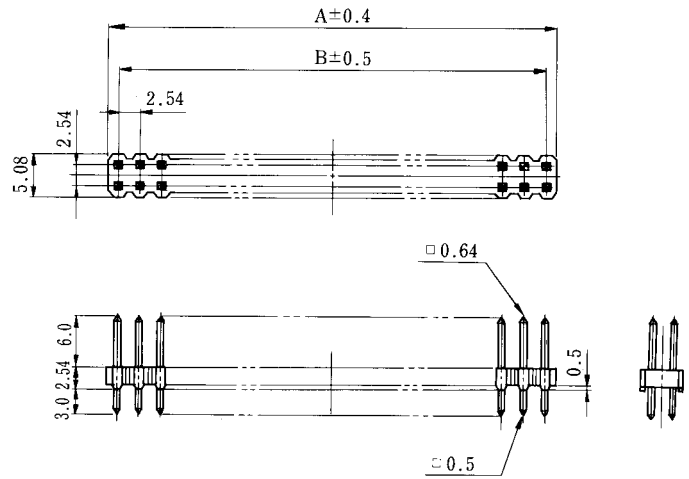
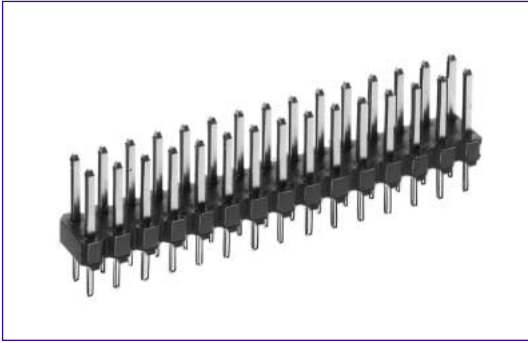


A 1 A-10PA-2.54DS
CL619-0141-6



A 1 A-12PA-2.54DS
CL619-0142-9

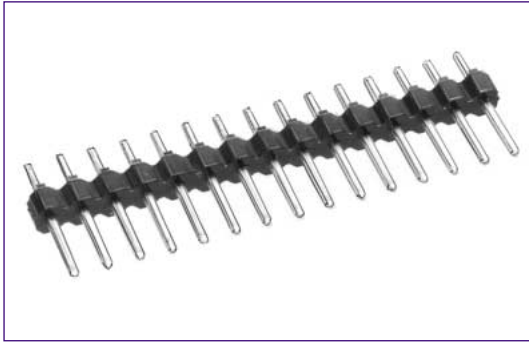
■ A1 (Double Row)- Straight Type



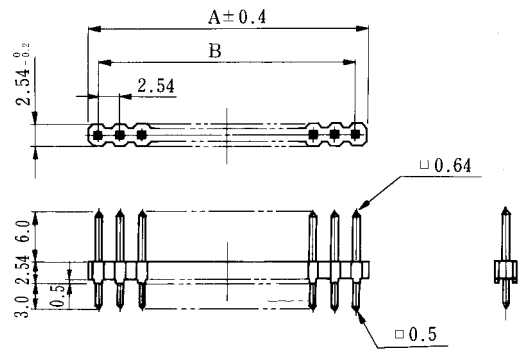
Unit: mm

Product No.	HRS No.	Number of Contacts	A	B
A1- 6PA-2.54DSA	CL619-0021-4	6	7.32	5.08
A1- 8PA-2.54DSA	CL619-0037-4	8	9.86	7.62
A1-10PA-2.54DSA	CL619-0022-7	10	12.40	10.16
A1-12PA-2.54DSA	CL619-0023-0	12	14.94	12.70
A1-14PA-2.54DSA	CL619-0024-2	14	17.48	15.24
A1-16PA-2.54DSA	CL619-0025-5	16	20.02	17.78
A1-18PA-2.54DSA	CL619-0026-8	18	22.56	20.32
A1-20PA-2.54DSA	CL619-0027-0	20	25.10	22.86
A1-24PA-2.54DSA	CL619-0028-3	24	30.18	27.94
A1-26PA-2.54DSA	CL619-0029-6	26	32.72	30.48
A1-30PA-2.54DSA	CL619-0030-5	30	37.80	35.56
A1-34PA-2.54DSA	CL619-0031-8	34	42.88	40.64
A1-40PA-2.54DSA	CL619-0032-0	40	50.50	48.26
A1-50PA-2.54DSA	CL619-0033-3	50	63.20	60.96
A1-60PA-2.54DSA	CL619-0034-6	60	75.9	73.66
A1-64PA-2.54DSA	CL619-0035-9	64	80.98	78.74

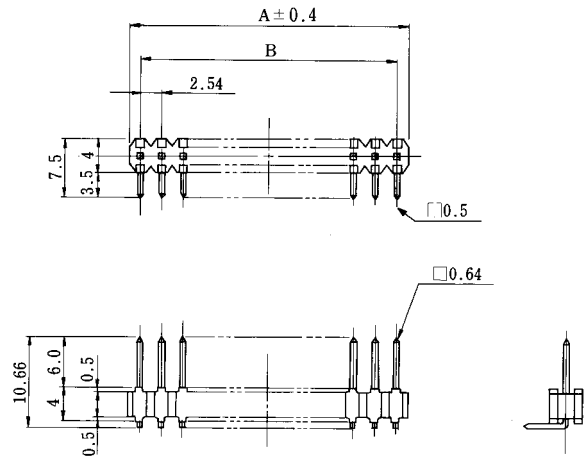
■ A2 (Single Row)-DIP Type



K Straight type



K Right angle type



K Straight type

Unit: mm

Product No.	HRS No.	Number of Contacts	A	B
A2- 1PA-2.54DSA	CL620-0051-5	1	2.24	-
A2- 2PA-2.54DSA	CL620-0052-8	2	4.78	2.54
A2- 3PA-2.54DSA	CL620-0053-0	3	7.32	5.08
A2- 4PA-2.54DSA	CL620-0054-3	4	9.86	7.62
A2- 5PA-2.54DSA	CL620-0055-6	5	12.40	10.16
A2- 6PA-2.54DSA	CL620-0056-9	6	14.94	12.70
A2- 7PA-2.54DSA	CL620-0057-1	7	17.48	15.24
A2- 8PA-2.54DSA	CL620-0058-4	8	20.02	17.78
A2- 9PA-2.54DSA	CL620-0059-7	9	22.56	20.30
A2-10PA-2.54DSA	CL620-0060-6	10	25.10	22.86
A2-11PA-2.54DSA	CL620-0061-9	11	27.64	25.40
A2-12PA-2.54DSA	CL620-0062-1	12	30.18	27.94
A2-13PA-2.54DSA	CL620-0063-4	13	32.72	30.48
A2-14PA-2.54DSA	CL620-0064-7	14	35.26	33.02
A2-15PA-2.54DSA	CL620-0065-0	15	37.80	35.56
A2-16PA-2.54DSA	CL620-0066-2	16	40.34	38.10
A2-17PA-2.54DSA	CL620-0067-5	17	42.88	40.64
A2-18PA-2.54DSA	CL620-0068-8	18	45.42	43.18
A2-19PA-2.54DSA	CL620-0069-0	19	47.96	45.72
A2-20PA-2.54DSA	CL620-0070-0	20	50.50	48.26

K Right angle type

Unit: mm

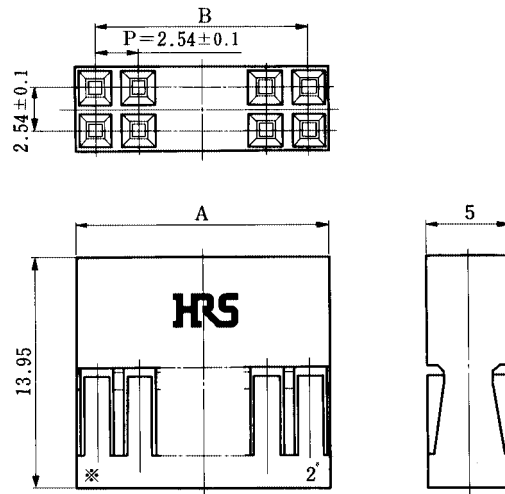
Product No.	HRS No.	Number of Contacts	A	B
A2- 1PA-2.54DS	CL620-0001-7	1	2.24	-
A2- 2PA-2.54DS	CL620-0002-0	2	4.78	2.54
A2- 3PA-2.54DS	CL620-0003-2	3	7.32	5.08
A2- 4PA-2.54DS	CL620-0004-5	4	9.86	7.62
A2- 5PA-2.54DS	CL620-0005-8	5	12.40	10.16
A2- 6PA-2.54DS	CL620-0006-0	6	14.94	12.70
A2- 7PA-2.54DS	CL620-0007-3	7	17.48	15.24
A2- 8PA-2.54DS	CL620-0008-6	8	20.02	17.78
A2- 9PA-2.54DS	CL620-0009-9	9	22.56	20.30
A2-10PA-2.54DS	CL620-0010-8	10	25.10	22.86
A2-11PA-2.54DS	CL620-0011-0	11	27.64	25.40
A2-12PA-2.54DS	CL620-0012-3	12	30.18	27.94
A2-13PA-2.54DS	CL620-0013-6	13	32.72	30.48
A2-14PA-2.54DS	CL620-0014-9	14	35.26	33.02
A2-15PA-2.54DS	CL620-0015-1	15	37.80	35.56
A2-16PA-2.54DS	CL620-0016-4	16	40.34	38.10
A2-17PA-2.54DS	CL620-0017-7	17	42.88	40.64
A2-18PA-2.54DS	CL620-0018-0	18	45.42	43.18
A2-19PA-2.54DS	CL620-0019-2	19	47.96	45.72
A2-20PA-2.54DS	CL620-0020-1	20	50.50	48.26

■ Crimping Socket

K Double Row Type



A1-※D-2.54C



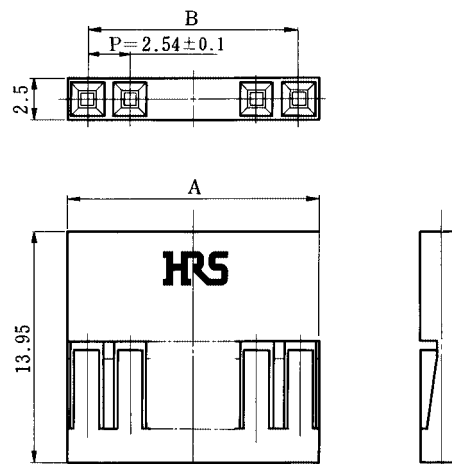
Product No.	HRS No.	A	B	Remarks
A1- 8D-2.54C	CL619-0093-5	10.16	7.62	
A1-10D-2.54C	CL619-0091-0	12.70	10.16	
A1-12D-2.54C	CL619-0092-2	15.24	12.70	Note 1

Note 1. No. 3 and 8 contacts can be polarized.

K Single Row Type



A2-※S-2.54C



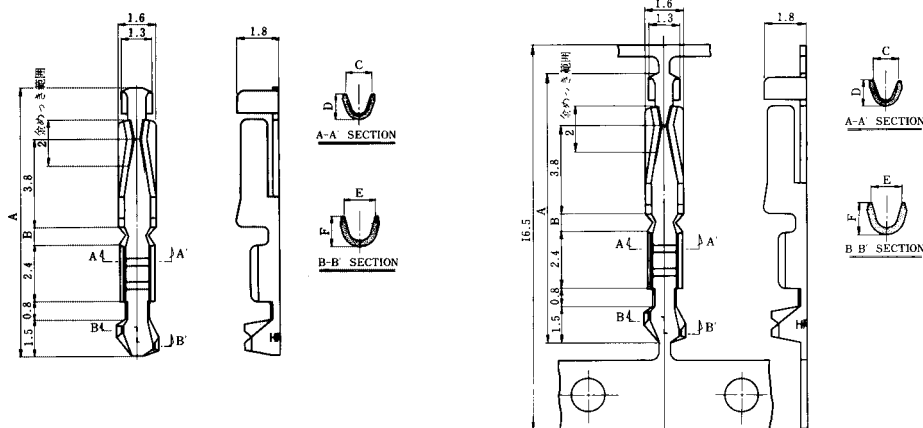
Product No.	HRS No.	A	B	Remarks
A2-5S-2.54C	CL620-0101-1	12.70	10.16	
A2-6S-2.54C	CL620-0102-4	15.24	12.70	Note 1

Note 1. No. 4 contact can be polarized.

■ Crimping Contact

SCC contact

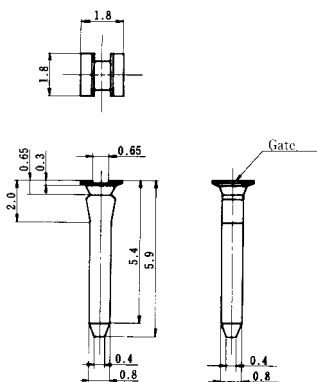
SCFC contact



Product No.	HRS No.	Applicable Cable	Packaging Type	Quantity	A	B	C	D	E	F
A1-2226SCFC	CL619-0211-0	AWG#22~#26	Reel	10,000	11.5	0.8	1.8	1.80	2.3	2.6
A1-2226SCC	CL619-0214-8		Bag	100	11.5	0.8	1.8	1.80	2.3	2.6
A1-2630SCFC	CL619-0212-2	AWG#26~#30	Reel	10,000	11.5	0.8	1.4	1.35	2.0	2.1
A1-2630SCC	CL619-0215-0		Bag	100	11.5	0.8	1.4	1.35	2.0	2.1
A1-3236SCFC	CL619-0213-5	AWG#32~#36	Reel	10,000	12.4	1.7	1.1	1.10	1.4	1.5

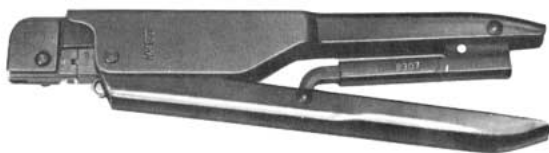
■ Polarizing Key

HIF3-GPIN(A)



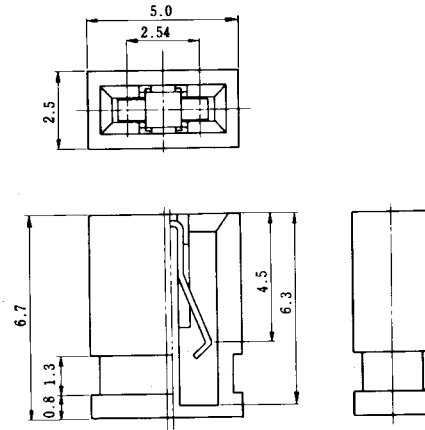
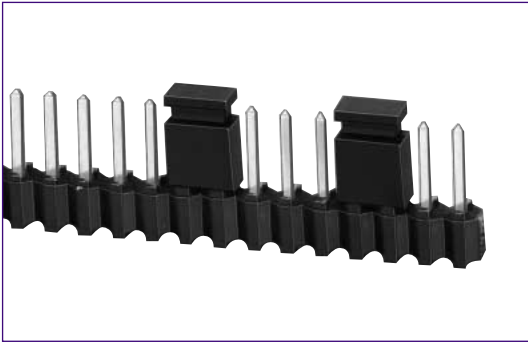
Product No.	HRS No.	Material	Remarks
HIF3-GPIN(A)	CL562-0126-6	Poly acetal (white)	5 pieces set

■ Crimping Tools



	Product No.	HRS No.	Applicable Contact	Applicable Cable
Manual crimping tool	HIF3-TB2226HC	CL550-0154-1	A1-2226SCC	AWG#22~#26
	HIF3-TB2630HC	CL550-0155-4	A1-2630SCC	AWG#26~#30
Crimper unit	CM-105	CL901-0005-4	—————	—————
Applicator	AP105-A1-2226S	CL901-4008-4	A1-2226SCFC	—————
	AP105-A1-2630S	CL901-4009-7	A1-2630SCFC	—————
	AP105-A1-3236S	CL901-4011-9	A1-3236SCFC	—————

■ Short Pin



■ Performance

Item	Rating Value
Contact Resistance	30mΩ max. at 0.1A DC
Insulation Resistance	1000MΩ min. at 500V DC
Current Capacity	3A

Product No.	HRS No.
HIF3GA-2.54SP	CL562-0403-4