



AMP | Round Connector System

TE Internal #: 962954-5

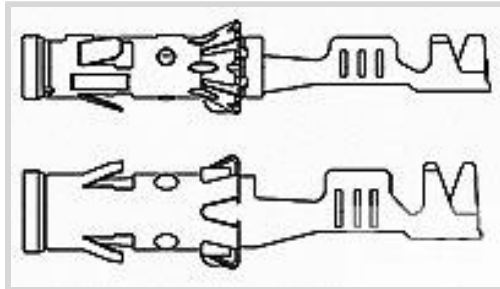
Automotive Terminals, Socket, Pin Diameter .157 in [4 mm], 15 – 13

AWG Wire Size, 1.5 – 2.5 mm<sup>2</sup> Wire Size, Sealable, Round

Connector System

[View on TE.com >](#)

Terminals & Splices > Automotive Terminals > ROUND CONNECTOR SYSTEM, PIN AND SOCKET



Terminal Type: **Socket**

Mating Pin Diameter: 4 mm [.157 in]

Terminal Transmits: 25 – 40 A (Power)

Wire Size: 1.5 – 2.5 mm<sup>2</sup>

[All Round Connector System, Pin and Socket \(74\)](#)

**Features**

**Product Type Features**

Receptacle Style	180°
Sealable	Yes
Primary Locking Feature	Locking Lance

**Body Features**

Terminal Seal Type	Single Wire Seal (SWS)
--------------------	------------------------

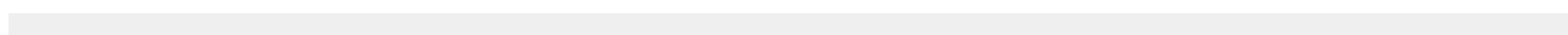
**Contact Features**

Contact Size	4mm
Contact Fabrication	Stamped & Formed
Crimp Type	F-Crimp
Terminal Type	Socket
Mating Pin Diameter	4 mm [.157 in]
Interface Plating	Other
Contact Termination Area Plating Material	Tin (Sn)

**Termination Features**

Termination Method to Wire & Cable	Crimp
Product Terminates To	Wire

**Dimensions**





Wire Size	1.5 – 2.5 mm <sup>2</sup>
Wire Size Search	13 AWG, 14 AWG, 15 AWG
Wire Insulation Diameter	2.2 – 3 mm [.087 – .118 in]

### Usage Conditions

Insulation Option	Uninsulated
Operating Temperature (Max)	80 °C, 85 °C, 90 °C, 100 °C [176 °F][185 °F] [194 °F][212 °F]
Operating Temperature Range	-40 – 100 °C [-40 – 212 °F]

### Operation/Application

Compatible With Wire Base Material	Copper
------------------------------------	--------

### Industry Standards

Agency/Standard	LV214
-----------------	-------

### Packaging Features

Packaging Method	Reel
Packaging Quantity	1500

### Other

Terminal Transmits	25 – 40 A (Power)
--------------------	-------------------

## Product Compliance

[For compliance documentation, visit the product page on TE.com>](#)

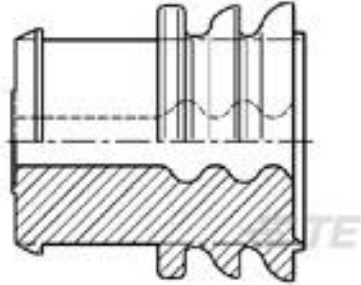
EU RoHS Directive 2011/65/EU	Compliant
EU ELV Directive 2000/53/EC	Compliant
China RoHS 2 Directive MIIT Order No 32, 2016	No Restricted Materials Above Threshold
EU REACH Regulation (EC) No. 1907/2006	Current ECHA Candidate List: JUNE 2022 (224) Candidate List Declared Against: JUL 2017 (174) SVHC > Threshold: Not Yet Reviewed
Halogen Content	Low Halogen - Br, Cl, F, I < 900 ppm per homogenous material. Also BFR/CFR/PVC Free
Solder Process Capability	Not applicable for solder process capability

Product Compliance Disclaimer



This information is provided based on reasonable inquiry of our suppliers and represents our current actual knowledge based on the information they provided. This information is subject to change. The part numbers that TE has identified as EU RoHS compliant have a maximum concentration of 0.1% by weight in homogenous materials for lead, hexavalent chromium, mercury, PBB, PBDE, DBP, BBP, DEHP, DIBP, and 0.01% for cadmium, or qualify for an exemption to these limits as defined in the Annexes of Directive 2011/65/EU (RoHS2). Finished electrical and electronic equipment products will be CE marked as required by Directive 2011/65/EU. Components may not be CE marked. Additionally, the part numbers that TE has identified as EU ELV compliant have a maximum concentration of 0.1% by weight in homogenous materials for lead, hexavalent chromium, and mercury, and 0.01% for cadmium, or qualify for an exemption to these limits as defined in the Annexes of Directive 2000/53/EC (ELV). Regarding the REACH Regulations, TE's information on SVHC in articles for this part number is still based on the European Chemical Agency (ECHA) 'Guidance on requirements for substances in articles' (Version: 2, April 2011), applying the 0.1% weight on weight concentration threshold at the finished product level. TE is aware of the European Court of Justice ruling of September 10th, 2015 also known as O5A (Once An Article Always An Article) stating that, in case of 'complex object', the threshold for a SVHC must be applied to both the product as a whole and simultaneously to each of the articles forming part of its composition. TE has evaluated this ruling based on the new ECHA "Guidance on requirements for substances in articles" (June 2017, version 4.0) and will be updating its statements accordingly.

## Compatible Parts



TE Part # 963243-1  
EINZELDRAHTDICHTUNG



TE Part # 963244-1  
EINZELDRAHTDICHTUNG



TE Part # 963245-1  
EINZELLEIT-DICHTUNG



TE Part # 1743550-2  
GLOW PLUG 1P HSG



TE Part # 1-1579007-9  
ASSEMBLY TOOL



TE Part # 2-1579007-0  
EXTRACTION TOOL



TE Part # 2836539-2  
OCEAN-2.0-APPLICATOR-S-100F2500A

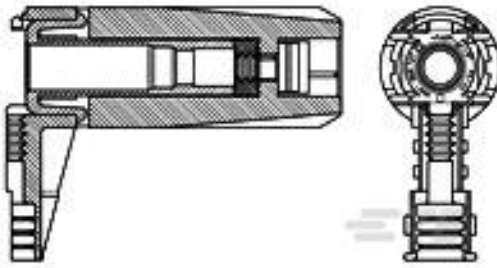


TE Part # 7-2836539-2  
OCEAN-2.0-APPLICATOR-S-100F2500A



**KIT**  
REPRESENTATION ONLY

TE Part # 7-2836539-7  
OCEAN\_2.0\_SPARE\_PART\_KIT-100F2500



TE Part # 967568-1  
4.0 DIA SYS REC HSG

Also in the Series | [Round Connector System](#)



Automotive Connector Caps & Covers (5)



Automotive Housings(16)



Automotive Seals & Cavity Plugs(3)



Automotive Terminals(74)



Insertion & Extraction Tools(8)

## Customers Also Bought



TE Part #DT04-2P  
DEUTSCH DT Series Housings & Connectors



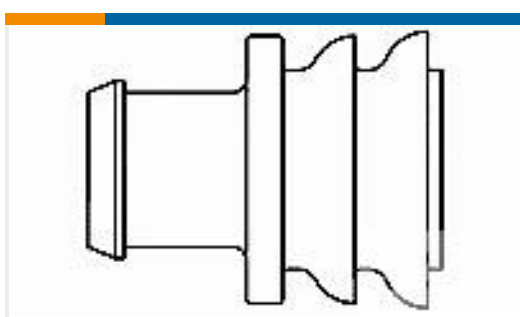
TE Part #W2S  
DEUTSCH DT WEDGELOCKS



TE Part #282104-1  
AMP SUPERSEAL 1.5MM, CONNECTOR HOUSING



TE Part #206070-8  
CABLE CLAMP KIT #17



TE Part #281934-2  
SINGLE WIRE SEAL



TE Part #0460-202-16141  
DEUTSCH SOLID CONTACTS

## Documents

### Product Drawings

[4MM KONTAKTBUCHSE](#)

English

### CAD Files

[Customer View Model](#)

[ENG\\_CVM\\_CVM\\_962954-5\\_H.2d\\_dxf.zip](#)

English

[3D PDF](#)



3D

Customer View Model

[ENG\\_CVM\\_CVM\\_962954-5\\_H.3d\\_igs.zip](#)

English

Customer View Model

[ENG\\_CVM\\_CVM\\_962954-5\\_H.3d\\_stp.zip](#)

English

By downloading the CAD file I accept and agree to the [Terms and Conditions](#) of use.

### Product Specifications

[Dia. 4,0mm Buchsenkontakte](#)

German

[Dia. 4,0mm Socket Contact](#)

German