

Tab Contacts

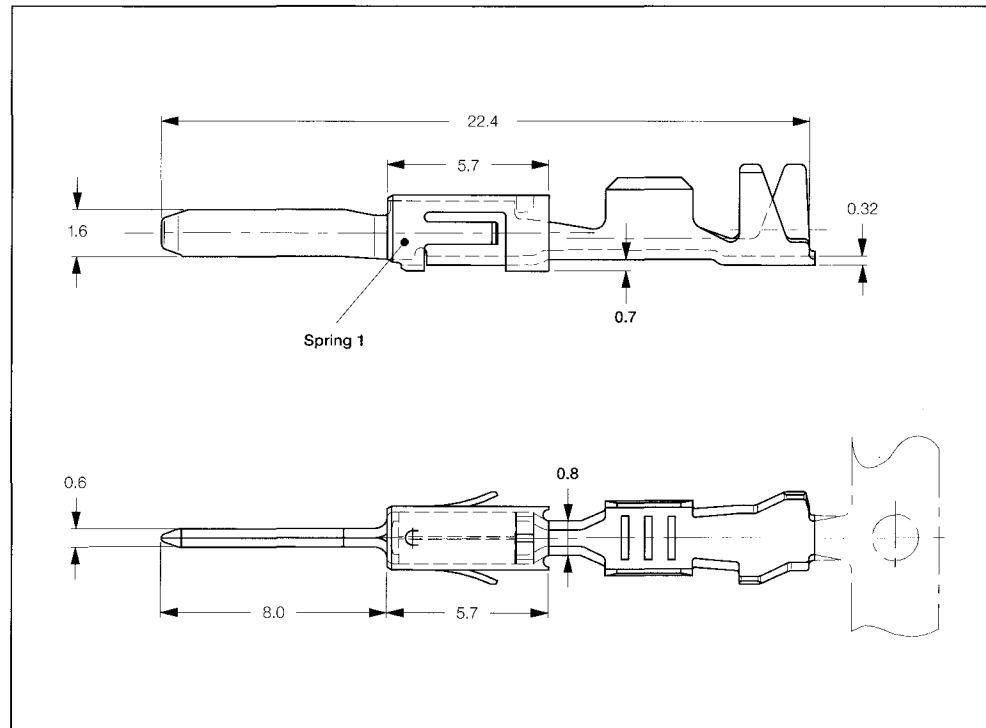
**Tabs 1.6 x 0.6 mm
with Steel Top Spring,
Mates with
AMP MCP 1.5K
Contact System**

Extraction Tool:
Part No. **539960-1**

Product Specification:
108-18331

Application Specification:
114-18082

Product Group Drawing:
1355055



Standard Tab Contacts (STC)

Wire Size Range (mm ²)	Insulation Diameter (mm)		Material and Finish*	Part Numbers				Applicator*	Hand Tool 539635-1 with Die Set
	FLK	FLR		Strip Form	Package Quantity	Loose-Piece	Package Quantity		
0.2-0.5	-	1.15-1.60	-1 / -2 / -3	964265 ¹⁾	7,000	964266 ¹⁾	500	x-1528091-x	539663-2
0.5-1.0	-	1.4-2.1	-1 / -2 / -3	964267 ¹⁾	6,000	964268 ¹⁾	500	x-1528092-x	

Tab Contacts Single Wire Sealing System (SWS)

Wire Size Range (mm ²)	Insulation Diameter (mm)		Material and Finish*	Part Numbers				Applicator*	Hand Tool 539662-2 with Die Set
	FLK	FLR		Strip Form	Package Quantity	Loose-Piece	Package Quantity		
0.2-0.5	-	1.15-1.60	-1 / -2 / -3	969028 ¹⁾	4,000	969029 ¹⁾	500	x-1528068-x	539662-2
0.5-1.0	-	1.4-2.1	-1 / -2 / -3	964269 ¹⁾	4,000	964270 ¹⁾	500	x-1528261-x	

***) Material and Finish:**
xxx-1 = CuSn4, pre-tin plated
xxx-2 = CuFe2, pre-tin plated
xxx-3 = CuSn4, gold plated

Remarks:
1) = With Spring 1

♦) The pre- and suffix for the applicators depends on the applied termination equipment.