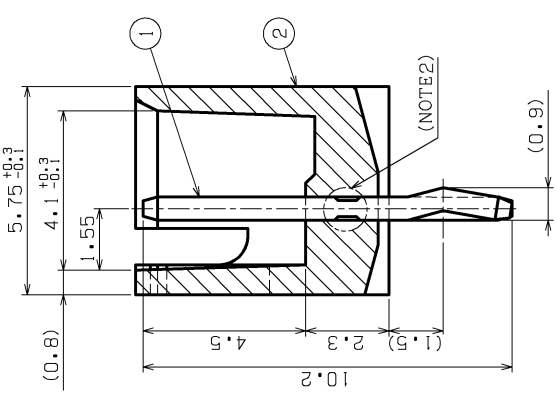
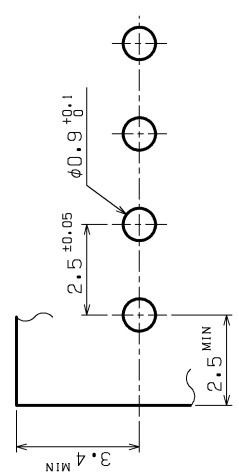
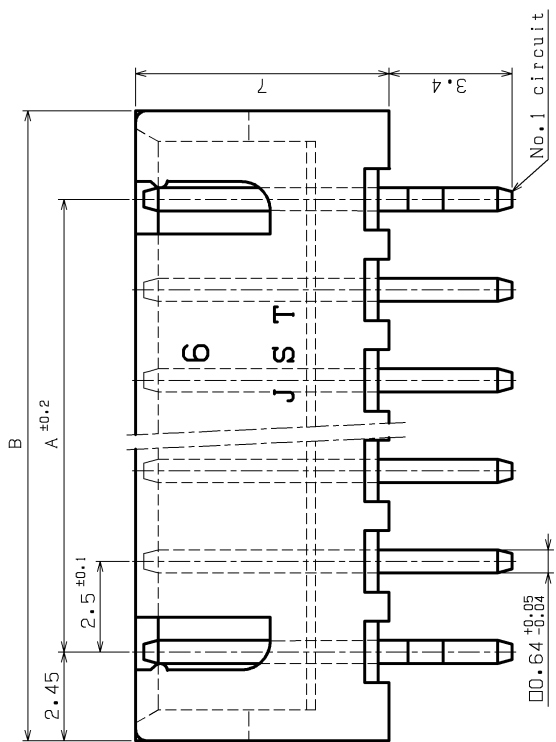
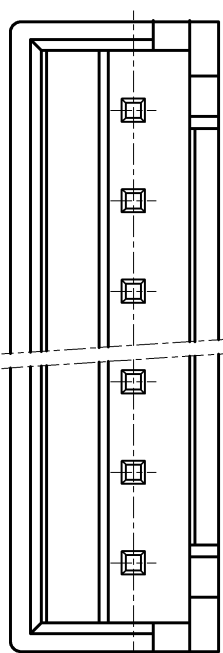


1 2 3 4 5 6 7 8



16	37.5	42.4
15	35.0	39.9
14	32.5	37.4
13	30.0	34.9
12	27.5	32.4
11	25.0	29.9
10	22.5	27.4
9	20.0	24.9
8	17.5	22.4
7	15.0	19.9
6	12.5	17.4
5	10.0	14.9
4	7.5	12.4
3	5.0	9.9
Circuit	A	B

NOTE  
 1. Unless otherwise specified, tolerances are  $\pm 0.3$   
 2. Post side with holding construction for housing.  
 3. Tolerance of hole pitch on PCB are not cumulative.

REV.	DESCRIPTION	DATE	DESIGNED
1	Addition of circuits.	DEC.12.2008	E.N

2	WAFER	66NYLON			UL94V-0, NATURAL
1	POST	BRASS			NICKEL-UNDERPLATED GOLD-PLATED
No.	PART NAME	MATERIAL			SURFACE FINISH
SIZE	UNIT	SCALE	PROJECTION	DATE	CUSTOMER
A3	METRIC	7:1	1	OCT.26.2005	
APPROVED	CHECKED	DESIGNED	DRAWN	REMARKS	
S.K		E.N	M.Y	SERIES NAME	XH CONNECTOR
				PART No.	B ( ) B-XH-A-G
<b>JST</b> J.S.T.MFG.CO.,LTD.				DRAWING No.	KRD-38150
					R1

Recommendable P.C.Board hole layout

THIS DRAWING CONTAINS INFORMATION THAT IS PROPRIETARY TO J.S.T. AND SHOULD NOT BE USED WITHOUT WRITTEN PERMISSION.

EC4109-2