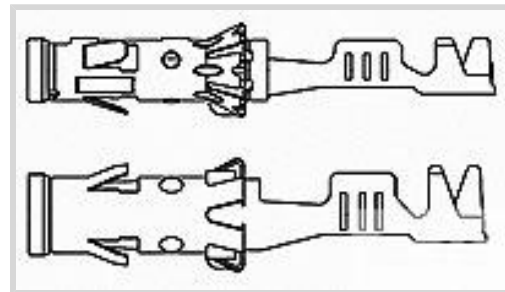




Terminals & Splices > Automotive Terminals > ROUND CONNECTOR SYSTEM, PIN AND SOCKET



Terminal Type: **Socket**

Mating Pin Diameter: 4 mm [.157 in]

Terminal Transmits: 25 – 40 A (Power)

Wire Size: 2.5 – 4 mm²

[All Round Connector System, Pin and Socket \(74\)](#)

Features

Product Type Features

Receptacle Style	180°
Sealable	Yes
Primary Locking Feature	Locking Lance

Body Features

Terminal Seal Type	Single Wire Seal (SWS)
--------------------	------------------------

Contact Features

Contact Size	4mm
Contact Fabrication	Stamped & Formed
Crimp Type	F-Crimp
Terminal Type	Socket
Mating Pin Diameter	4 mm [.157 in]
Interface Plating	Tin (Sn)
Contact Termination Area Plating Material	Tin (Sn)

Termination Features

Termination Method to Wire & Cable	Crimp
Product Terminates To	Wire

Dimensions

--	--



Wire Size	2.5 – 4 mm ²
Wire Size Search	11 AWG, 12 AWG, 13 AWG
Wire Insulation Diameter	6 mm [.236 in]

Usage Conditions

Insulation Option	Uninsulated
Operating Temperature (Max)	80 °C, 85 °C, 90 °C, 100 °C [176 °F][185 °F] [194 °F][212 °F]
Operating Temperature Range	-40 – 100 °C [-40 – 212 °F]

Operation/Application

Compatible With Wire Base Material	Copper
------------------------------------	--------

Packaging Features

Packaging Method	Reel
Packaging Quantity	1500

Other

Terminal Transmits	25 – 40 A (Power)
--------------------	-------------------

Product Compliance

[For compliance documentation, visit the product page on TE.com>](#)

EU RoHS Directive 2011/65/EU	Compliant
EU ELV Directive 2000/53/EC	Compliant
China RoHS 2 Directive MIIT Order No 32, 2016	No Restricted Materials Above Threshold
EU REACH Regulation (EC) No. 1907/2006	Current ECHA Candidate List: JUNE 2022 (224) Candidate List Declared Against: JAN 2022 (223) SVHC > Threshold: Not Yet Reviewed
Halogen Content	Low Halogen - Br, Cl, F, I < 900 ppm per homogenous material. Also BFR/CFR/PVC Free
Solder Process Capability	Not applicable for solder process capability

Product Compliance Disclaimer

This information is provided based on reasonable inquiry of our suppliers and represents our current actual knowledge based on the information they provided. This information is subject to change. The part numbers that TE has identified as EU RoHS compliant have a maximum concentration of 0.1% by weight in homogenous materials for lead, hexavalent chromium, mercury, PBB, PBDE, DBP, BBP, DEHP, DIBP, and 0.01% for cadmium, or qualify for an exemption to these limits as defined in the Annexes of Directive 2011/65/EU (RoHS2). Finished electrical and electronic equipment products

will be CE marked as required by Directive 2011/65/EU. Components may not be CE marked. Additionally, the part numbers that TE has identified as EU ELV compliant have a maximum concentration of 0.1% by weight in homogenous materials for lead, hexavalent chromium, and mercury, and 0.01% for cadmium, or qualify for an exemption to these limits as defined in the Annexes of Directive 2000/53/EC (ELV). Regarding the REACH Regulation, the information TE provides on SVHC in articles for this part number is based on the latest European Chemicals Agency (ECHA) 'Guidance on requirements for substances in articles' posted at this URL: <https://echa.europa.eu/guidance-documents/guidance-on-reach>

Compatible Parts



TE Part # 100284-1
2P.4MM SOCK.ASS.M27



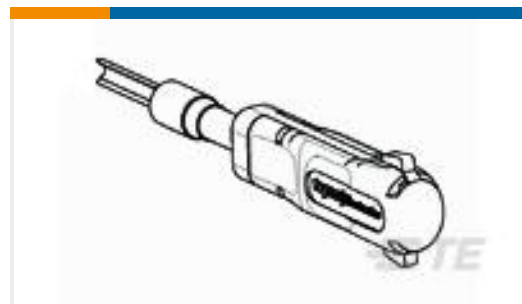
TE Part # 100285-1
3P.4MM.SOCK.ASS.M24



TE Part # 953318-2
1W HSG FOR DIESEL PLUG



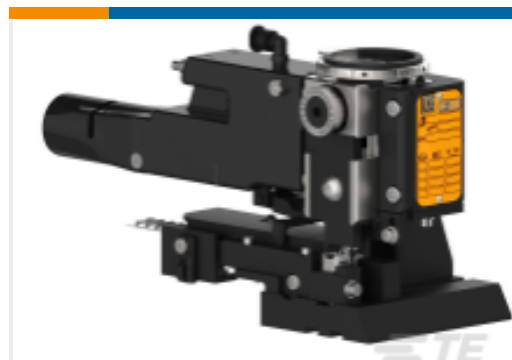
TE Part # 953318-1
1W HSG FOR DIESEL PLUG



TE Part # 1-1579007-9
ASSEMBLY TOOL



TE Part # 2-1579007-0
EXTRACTION TOOL



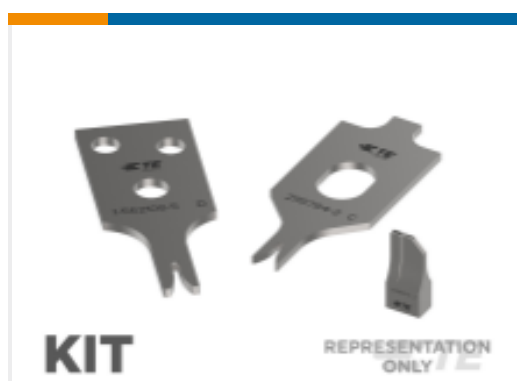
TE Part # 2-2837671-2
OCEAN-2.0-APPLICATOR-S-120F2500



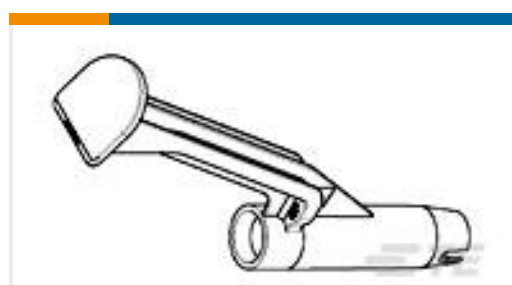
TE Part # 2837671-2
OCEAN-2.0-APPLICATOR-S-120F2500



TE Part # 7-2837671-2
OCEAN-2.0-APPLICATOR-S-120F2500



TE Part # 7-2837671-7
OCEAN_2.0_SPARE_PART_KIT-120F2500



TE Part # 953631-1
1W HSG DIESEL GLOW PLUG

Also in the Series | Round Connector System



Automotive Connector Caps & Covers (5)



Automotive Housings(16)



Automotive Seals & Cavity Plugs(3)

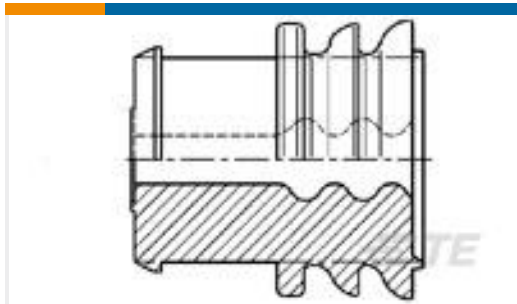


Automotive Terminals(74)



Insertion & Extraction Tools(8)

Customers Also Bought

TE Part #963245-1
EINZELLEIT-DICHTUNGTE Part #1456471-2
TH/.025 CONNECTOR SYSTEM,
HOUSINGTE Part #284716-2
6 POS REC. CONNECTOR FOR EGASTE Part #3-1633730-5
CRIMPER, WIRE F .039FTE Part #626095-2
FASTIN-ON .250 REC 1.0-2.5 MM2
TPBRTE Part #2822365-1
EJ-2 DBL LOCK PLUG ASSY 2P (D)
BLACKTE Part #1989581-1
SPECIAL MICRO TIMER REC.

Documents

Product Drawings

4MM BUCHS-KONTAKT

English

CAD Files

Customer View Model

[ENG_CVM_CVM_962956-1_H.2d_dxf.zip](#)

English

3D PDF

3D

Customer View Model

[ENG_CVM_CVM_962956-1_H.3d_igs.zip](#)

English

Customer View Model

[ENG_CVM_CVM_962956-1_H.3d_stp.zip](#)

English

By downloading the CAD file I accept and agree to the [Terms and Conditions](#) of use.



Product Specifications

[Dia. 4,0mm Buchsenkontakte](#)

German

[Dia. 4,0mm Socket Contact](#)

German

Product Environmental Compliance

[Product Compliance](#)

English

[Product Compliance](#)

English