

925176-5 ✓ ACTIVE

FASTIN-FASTON | FASTIN-FASTON 312

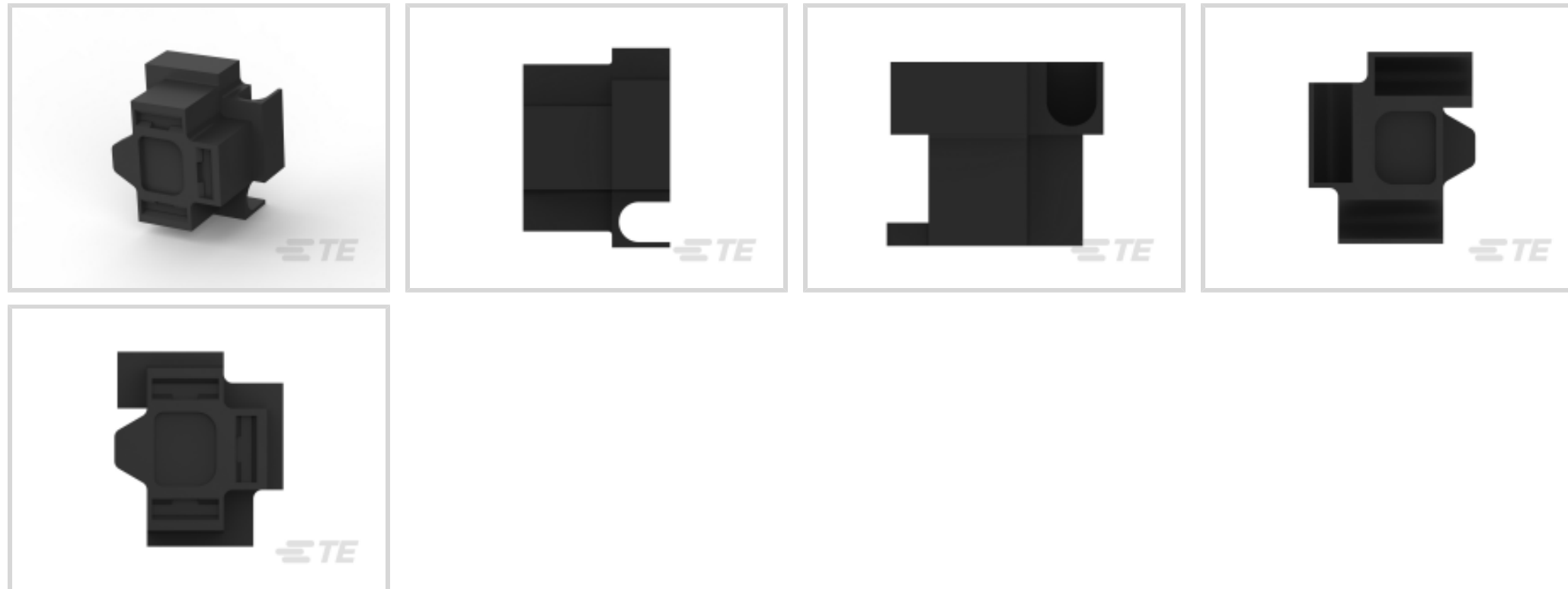
TE Internal #: 925176-5

Crimp Terminal Housings, Receptacle, Receptacle, 3 Position,
Straight, UL 94V-0 / UL 94V-2, Black, Polyamide 6.6, Mating
Alignment, FASTIN-FASTON 312

[View on TE.com >](#)



Terminals & Splices > Terminal Housings, Insulation Sleeves & Blocks > Crimp Terminal Housings



Terminal Type: **Receptacle**

Housing Type: **Receptacle**

Number of Positions: **3**

Terminal Orientation: **Straight**

UL Flammability Rating: **UL 94V-0, UL 94V-2**

Features

Product Type Features

Product Type	Terminal Housing
Sealable	No
Housing Type	Receptacle
Insulated	No

Configuration Features

Number of Positions	3
---------------------	---

Body Features

Primary Product Color	Black
-----------------------	-------

Contact Features

Terminal Type	Receptacle
Terminal Orientation	Straight
Contact Mating Retention	Without

Mechanical Attachment



Mating Alignment	With
Crimp Terminal Housing Mounting Style	Cable Mount (Free-Hanging)

Housing Features

Housing Material	Polyamide 6.6
------------------	---------------

Dimensions

Length	20.5 mm[.81 in]
--------	-----------------

Usage Conditions

Operating Temperature Range	-40 – 105 °C[-40 – 221 °F]
-----------------------------	----------------------------

Industry Standards

UL Flammability Rating	UL 94V-0, UL 94V-2
------------------------	--------------------

Packaging Features

Packaging Quantity	2200
Packaging Method	Carton

Product Compliance

[For compliance documentation, visit the product page on TE.com>](#)

EU RoHS Directive 2011/65/EU	Compliant
EU ELV Directive 2000/53/EC	Compliant
China RoHS 2 Directive MIIT Order No 32, 2016	No Restricted Materials Above Threshold
EU REACH Regulation (EC) No. 1907/2006	Current ECHA Candidate List: JUNE 2022 (224) Candidate List Declared Against: JAN 2022 (223) SVHC > Threshold: Not Yet Reviewed
Halogen Content	Low Halogen - Br, Cl, F, I < 900 ppm per homogenous material. Also BFR/CFR/PVC Free
Solder Process Capability	Not applicable for solder process capability

Product Compliance Disclaimer

This information is provided based on reasonable inquiry of our suppliers and represents our current actual knowledge based on the information they provided. This information is subject to change. The part numbers that TE has identified as EU RoHS compliant have a maximum concentration of 0.1% by weight in homogenous materials for lead, hexavalent chromium, mercury, PBB, PBDE, DBP, BBP, DEHP, DIBP, and 0.01% for cadmium, or qualify for an exemption to these limits as defined in the Annexes of Directive 2011/65/EU (RoHS2). Finished electrical and electronic equipment products will be CE marked as required by Directive 2011/65/EU. Components may not be CE marked. Additionally, the part numbers that TE has identified as EU ELV compliant have a maximum concentration of 0.1% by weight in homogenous materials for lead, hexavalent chromium, and mercury, and 0.01% for cadmium, or qualify for an exemption to these limits

as defined in the Annexes of Directive 2000/53/EC (ELV). Regarding the REACH Regulation, the information TE provides on SVHC in articles for this part number is based on the latest European Chemicals Agency (ECHA) 'Guidance on requirements for substances in articles' posted at this URL: <https://echa.europa.eu/guidance-documents/guidance-on-reach>

Compatible Parts



TE Part # 925176
3P FF 312 HOUSING RECEPTACLE
PA66 CLEAR



TE Part # 925015-1
FF 110 REC HSG 3P NYLON BLACK



TE Part # 180913
FF 250 REC HSG 3P NYLON NAT



TE Part # 925306-3
FF 312 REC HSG 3P NYLON BLACK



TE Part # 180941-5
FF 250 REC HSG 3P NYLON BLACK



TE Part # 480100-1
FF 312 REC HSG 3P NYLON BLACK



TE Part # 626213-2
3 CIR FASTIN-ON RECP HSG PRETO



TE Part # 280262-5
FF 250 REC HSG 11P NYLON BLACK




TE Part # 626311
FASTIN-ON REC.HSG




TE Part # 880137-2
3W FASTIN-ON REC. HSG

Also in the Series | FASTIN-FASTON 312

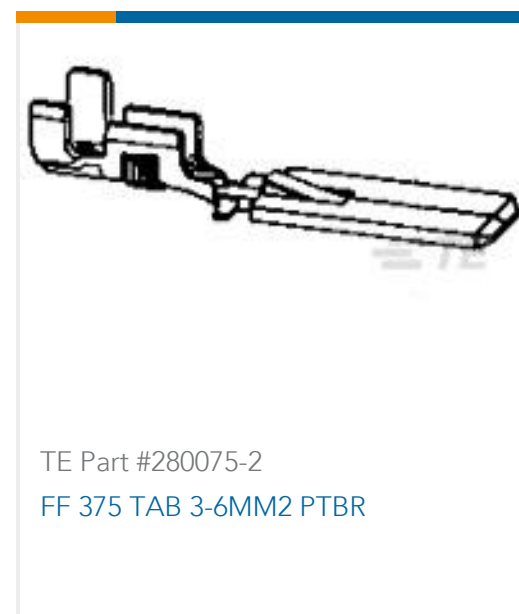


Crimp Terminal Housings(13)



Quick Disconnects(14)

Customers Also Bought



Documents

Product Drawings

FF 312 3P HOUSING REC POLYAMID 6.6 BLACK

English

CAD Files

3D PDF

3D

Customer View Model

[ENG_CVM_CVM_925176-5_H.2d_dxf.zip](#)

English

Customer View Model

[ENG_CVM_CVM_925176-5_H.3d_igs.zip](#)

English

Customer View Model

[ENG_CVM_CVM_925176-5_H.3d_stp.zip](#)

English

By downloading the CAD file I accept and agree to the [Terms and Conditions](#) of use.

Datasheets & Catalog Pages



White Paper: Nylon Discoloration

English

Product Specifications

Application Specification

English