



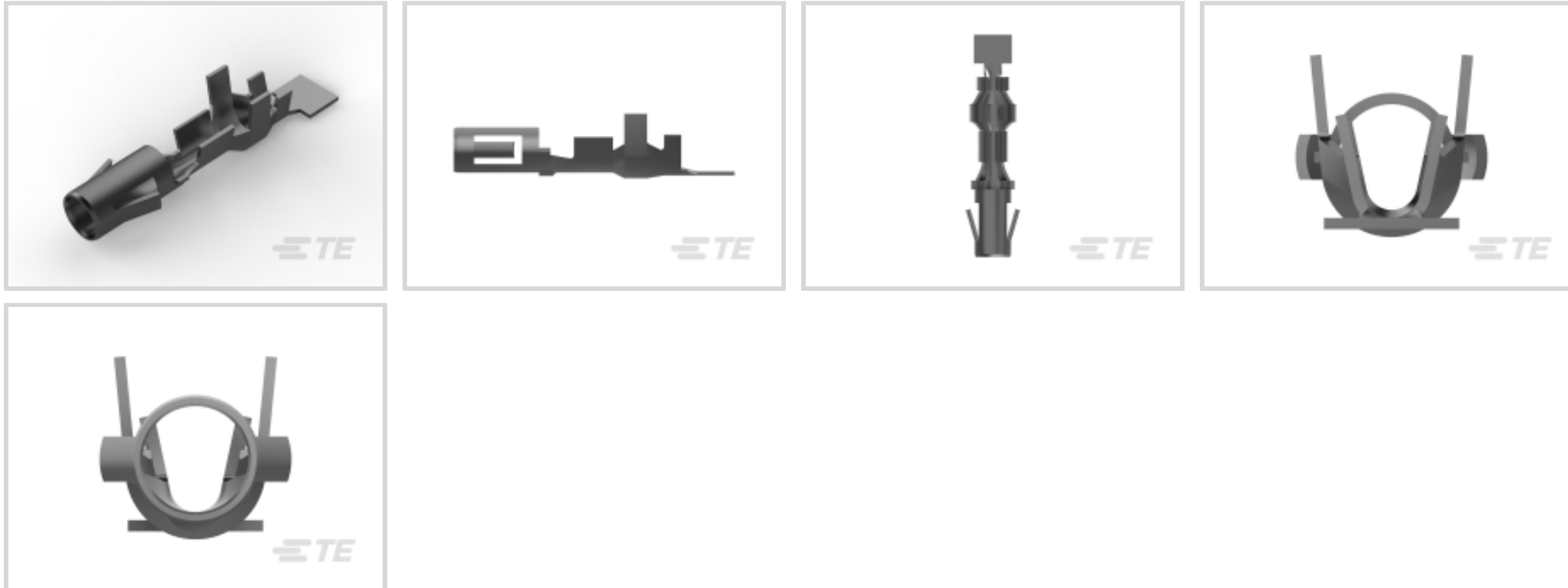
MATE-N-LOK | Commercial MATE-N-LOK

TE Internal #: 926986-1

Power Contacts, Contact, 250 VAC, Pre-Tin, 20 – 15 AWG Wire Size, .52 – 1.65 mm² Wire Size, Wire-to-Wire, Wire & Cable, Crimp, Commercial MATE-N-LOK

[View on TE.com >](#)

Connectors > Power Connectors > Power Contacts



Power Contact Type: **Contact**

Operating Voltage: **250 VAC**

Contact Mating Area Plating Material: **Pre-Tin**

Wire Size: **.52 – 1.65 mm²**

Features

Product Type Features

| | |
|-----------------------------------|--------------|
| Power Contact Type | Contact |
| Connector System | Wire-to-Wire |
| Connector & Contact Terminates To | Wire & Cable |

Electrical Characteristics

| | |
|-------------------|---------|
| Operating Voltage | 250 VAC |
|-------------------|---------|

Contact Features

| | |
|---|-----------------|
| Contact Mating Area Plating Material | Pre-Tin |
| Contact Current Rating (Max) | 17 A |
| Contact Type | Socket |
| Contact Retention Within Housing | With |
| Mating Pin Diameter | 3.56 mm[.14 in] |
| Contact Base Material | Phosphor Bronze |
| Wire Contact Termination Area Plating Material | Pre-Tin |
| Wire Contact Termination Area Plating Material Finish | Matte |
| Contact Orientation | Straight |



Termination Features

| | |
|------------------------------------|-------|
| Termination Method to Wire & Cable | Crimp |
|------------------------------------|-------|

Mechanical Attachment

| | |
|---------------------------------------|----------------------------|
| Contact Retention Type Within Housing | Locking Lance |
| Connector Mounting Type | Cable Mount (Free-Hanging) |
| Wire Insulation Support | With |

Dimensions

| | |
|--|--------------------------------|
| Wire Size | .52 – 1.65 mm ² |
| Accepts Wire Insulation Diameter Range | 1.02 – 2.4 mm [.047 – .094 in] |

Usage Conditions

| | |
|-----------------------------|-----------------------------|
| Operating Temperature Range | -55 – 105 °C [-67 – 221 °F] |
|-----------------------------|-----------------------------|

Operation/Application

| | |
|---------------------|-------|
| Circuit Application | Power |
|---------------------|-------|

Industry Standards

| | |
|------------------|-------------------------------|
| Glow Wire Rating | Standard Part - Not Glow Wire |
|------------------|-------------------------------|

Packaging Features

| | |
|--------------------|------|
| Packaging Method | Reel |
| Packaging Quantity | 2500 |

Other

| | |
|-----------------|---------------|
| Wire/Cable Type | Discrete Wire |
|-----------------|---------------|

Product Compliance

[For compliance documentation, visit the product page on TE.com>](#)

| | |
|---|--|
| EU RoHS Directive 2011/65/EU | Compliant |
| EU ELV Directive 2000/53/EC | Compliant |
| China RoHS 2 Directive MIIT Order No 32, 2016 | No Restricted Materials Above Threshold |
| EU REACH Regulation (EC) No. 1907/2006 | Current ECHA Candidate List: JUNE 2022 (224) Candidate List Declared Against: JAN 2022 (223) SVHC > Threshold: Not Yet Reviewed |
| Halogen Content | Low Halogen - Br, Cl, F, I < 900 ppm per |

homogenous material. Also BFR/CFR/PVC Free

Solder Process Capability

Not applicable for solder process capability

Product Compliance Disclaimer

This information is provided based on reasonable inquiry of our suppliers and represents our current actual knowledge based on the information they provided. This information is subject to change. The part numbers that TE has identified as EU RoHS compliant have a maximum concentration of 0.1% by weight in homogenous materials for lead, hexavalent chromium, mercury, PBB, PBDE, DBP, BBP, DEHP, DIBP, and 0.01% for cadmium, or qualify for an exemption to these limits as defined in the Annexes of Directive 2011/65/EU (RoHS2). Finished electrical and electronic equipment products will be CE marked as required by Directive 2011/65/EU. Components may not be CE marked. Additionally, the part numbers that TE has identified as EU ELV compliant have a maximum concentration of 0.1% by weight in homogenous materials for lead, hexavalent chromium, and mercury, and 0.01% for cadmium, or qualify for an exemption to these limits as defined in the Annexes of Directive 2000/53/EC (ELV). Regarding the REACH Regulation, the information TE provides on SVHC in articles for this part number is based on the latest European Chemicals Agency (ECHA) 'Guidance on requirements for substances in articles' posted at this URL: <https://echa.europa.eu/guidance-documents/guidance-on-reach>

Compatible Parts



TE Part # 1-480585-0
09P .140 MNL PLUG NAT



TE Part # 1-350346-0
03P .140 MNL PLUG P/M NAT



TE Part # 1-480672-0
09P .140 MNL PLUG PM NAT



TE Part # 1-350344-0
02P .140 MNL PLUG NAT



TE Part # 1-480510-0
04P .140 MNL PLUG NAT



TE Part # 2305570-1
TERMINAL CUTTER, SIDE FEED



TE Part # 539764-1
EXTRACTION TOOL



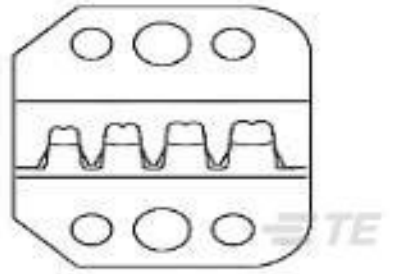
TE Part # 880124
9 CIR PLUG 140DIA PANEL MT NAT



TE Part # 925451-1
M-N-L SOCKET HSG



TE Part # 1-480672-9
09P .140 MNL PLUG PM BLK



TE Part # 1752938-2
SDE DIE SET 3.5 MM MNL



TE Part # 2-2151475-1
OCEAN_2.0_Applicator-S-100F110F




TE Part # 2-2151475-2
OCEAN_2.0_Applicator-S-100F110F



TE Part # 2151475-1
OCEAN_2.0_Applicator-S-100F110F



TE Part # 2151475-2
OCEAN_2.0_Applicator-S-100F110F



TE Part # 7-2151475-1
OCEAN_2.0_Applicator-S-100F110F



TE Part # 7-2151475-2
OCEAN_2.0_Applicator-S-100F110F




KIT
REPRESENTATION ONLY

TE Part # 7-2151475-7
OCEAN_2.0_SPARE_PART_KIT-100F110F



TE Part # 794699-1
02P .140 MNL PLUG BLK HT


Also in the Series | **Commercial MATE-N-LOK**



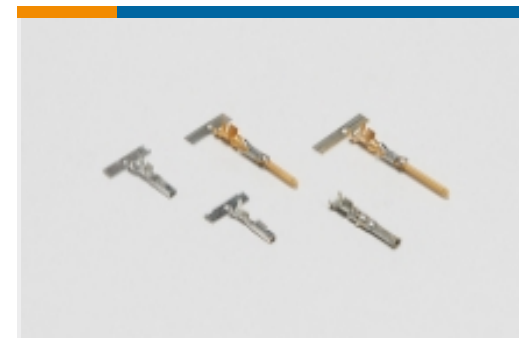
Connector Contacts(26)




Crimp Wire Pins, Tabs & Ferrules(3)




Insertion & Extraction Tools(5)



Power Contacts(129)




Rectangular Caps & Covers(2)




Rectangular Connector Housings(17)



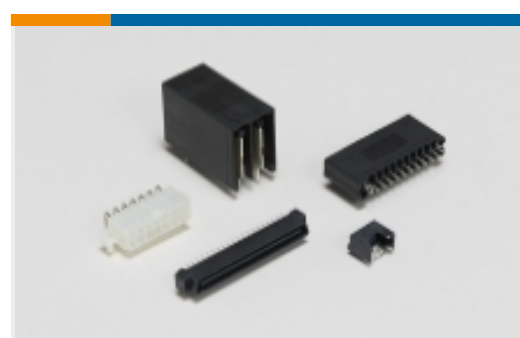
Rectangular Connector Seals(1)




Rectangular Power Connectors(170)



Standard Circular Connectors(4)

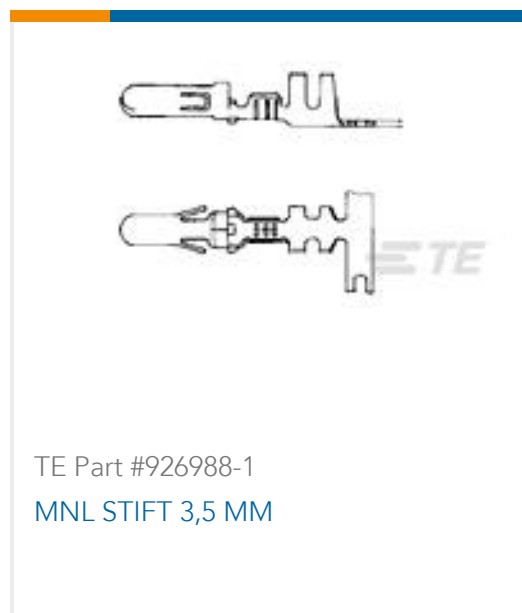
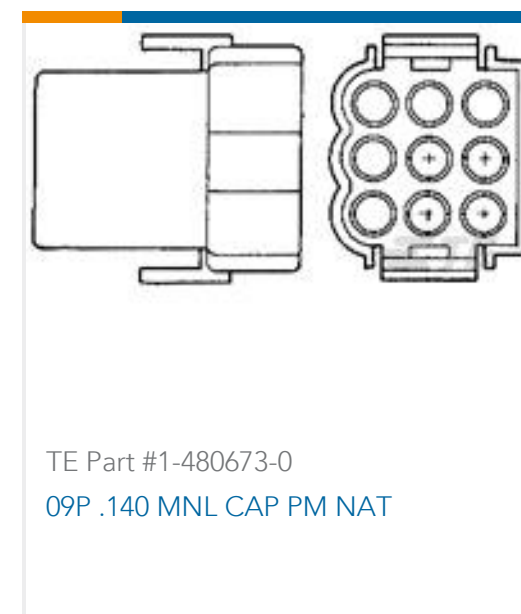


Standard Rectangular Connectors(10)



Wire-to-Board Connector Contacts(1)

Customers Also Bought



Documents

Product Drawings

MNL BUCHSE 3,5 MM

English

CAD Files

Customer View Model

[ENG_CVM_926986-1_A.3d_igs.zip](#)

English

Customer View Model

[ENG_CVM_926986-1_A.3d_stp.zip](#)

English

Customer View Model

[ENG_CVM_926986-1_A.2d_dxf.zip](#)

English

3D PDF

English

By downloading the CAD file I accept and agree to the [Terms and Conditions](#) of use.

Product Specifications

Product Specification

English