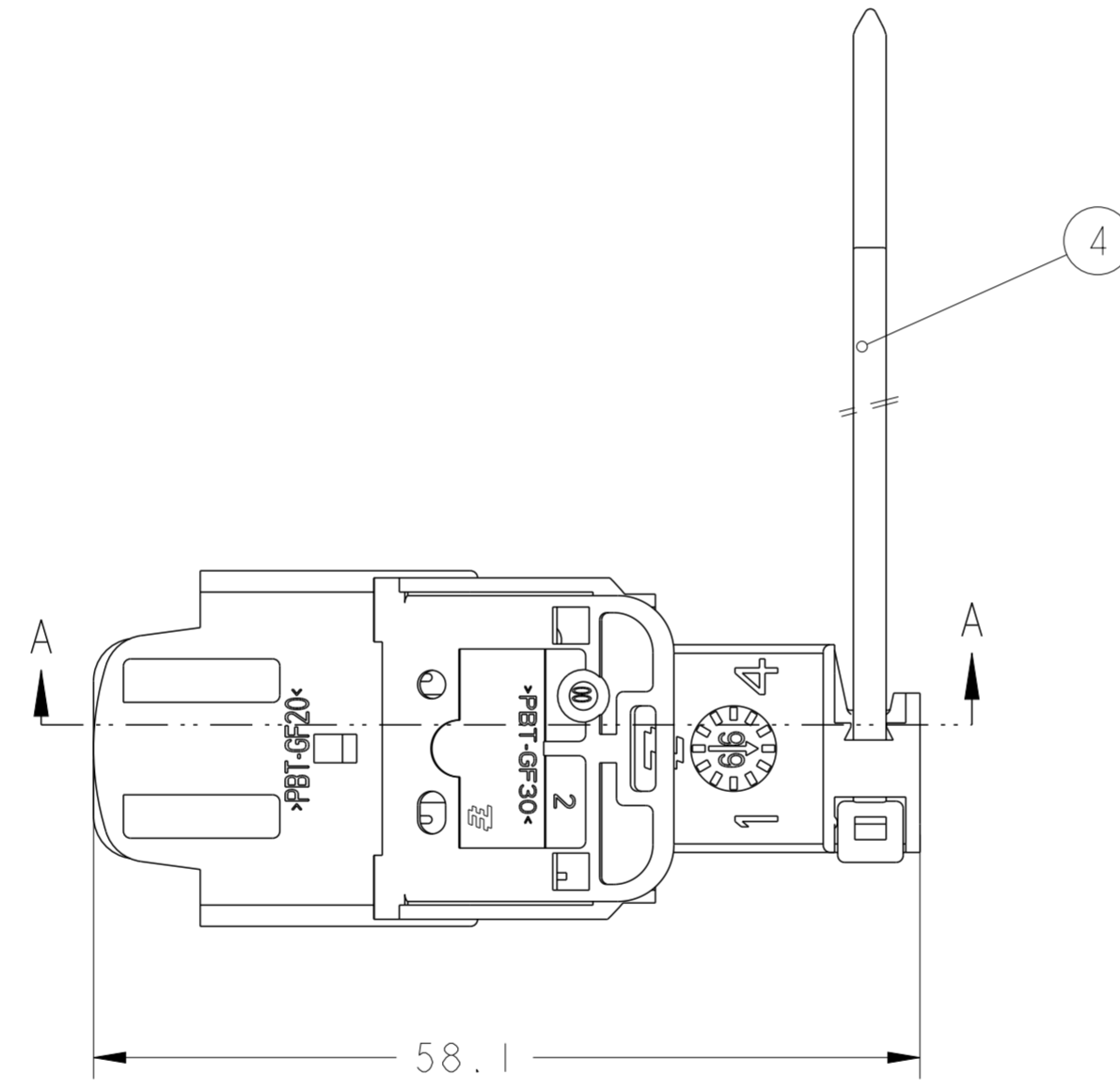
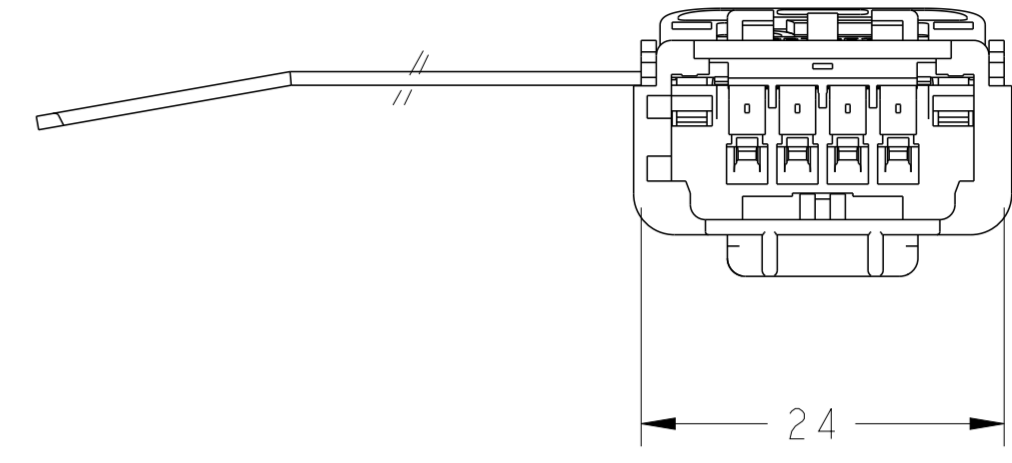
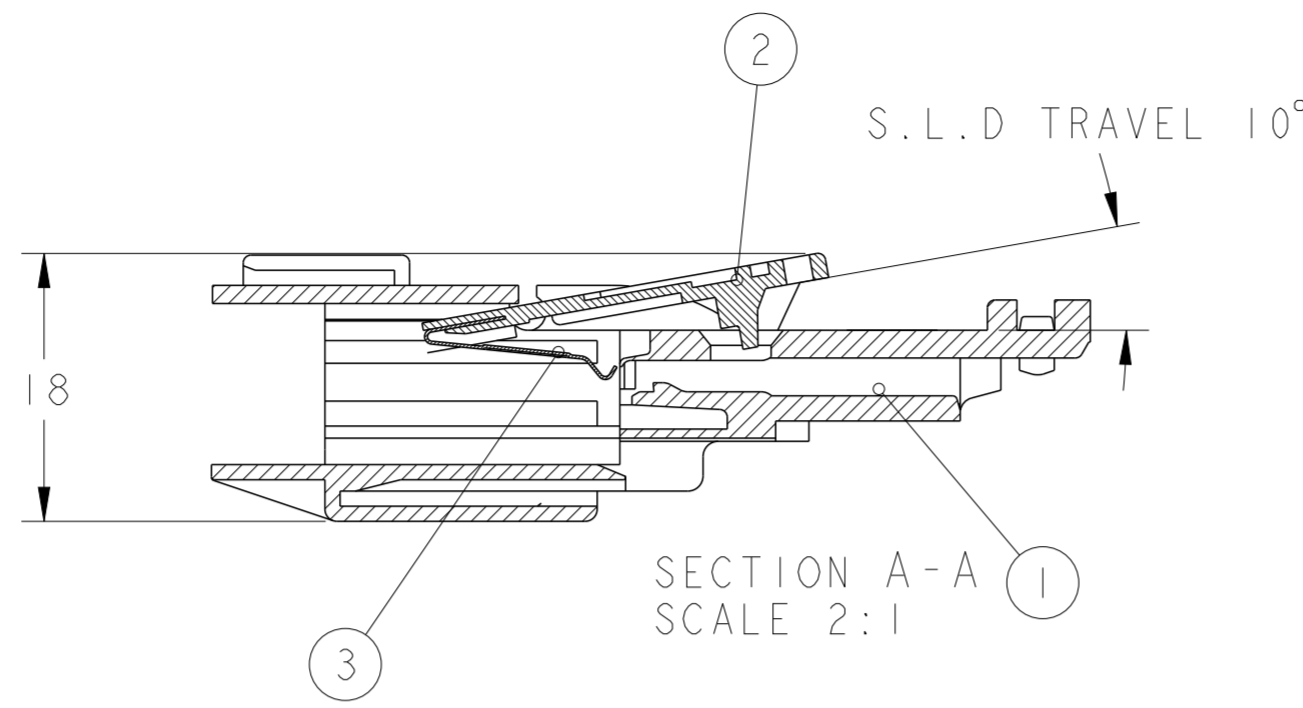


THIS DRAWING IS UNPUBLISHED. RELEASED FOR PUBLICATION
 © COPYRIGHT copyright.d8te ALL RIGHTS RESERVED.

REVISIONS				
P	LTR	DESCRIPTION	DATE	APVD
	A	INITIAL RELEASE	06JUN2018	OP XR



2-953733-1 AS SHOWN

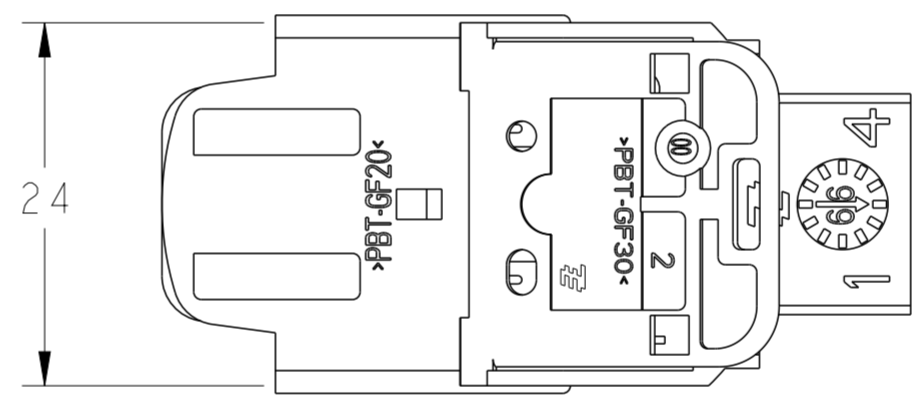
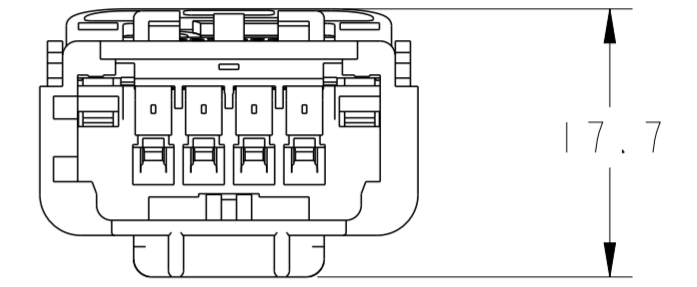
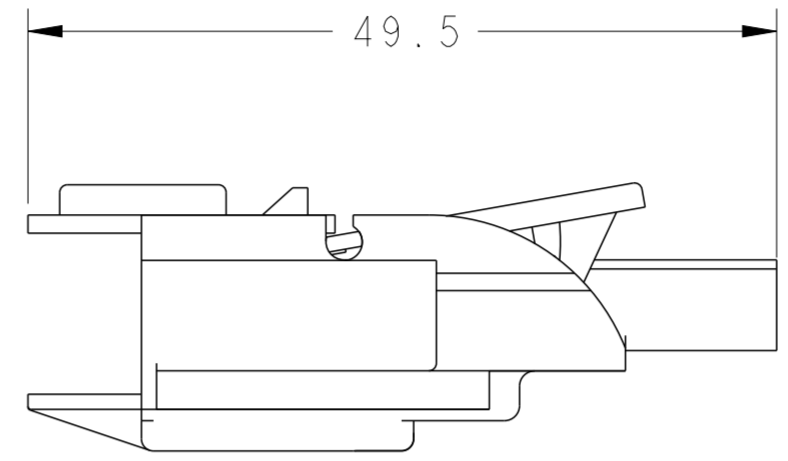
4	CABLE TIE	PA 6.6	BLACK		X
3	SHORT CIRCUIT SPRING	STAINLESS	GOLD PLATED	X	X
2	SECONDARY LOCKING DEVICE	PBT30%GF	RED		X
1	4W TAB HOUSING (long)	PBT20%GF	SEE TABLE	X	X
	4W TAB HOUSING (short)				
REP	DESIGNATION	MATERIAL	OBSERVATIONS	953733-X	2-953733-X
				PN TE	

THIS DRAWING IS A CONTROLLED DOCUMENT.		DWN O. PAMART 06 JUN 2018	 TE Connectivity
DIMENSIONS: mm		CHK X. ROUILLARD 06 JUN 2018	
TOLERANCES UNLESS OTHERWISE SPECIFIED:		APVD J. DAHER 06 JUN 2018	
 ±0.3 ±0.3 ±0.3 ±0.3 ±0.3 ±2° FINISH		NAME 4W TAB HOUSING ASS Y 1-5 SICMA TAB	
MATERIAL SEE TABLE		PRODUCT SPEC 108-15239	SIZE A2
		APPLICATION SPEC 411-15634	CAGE CODE 00779
		WEIGHT -	DRAWING NO C-953733
		CUSTOMER DRAWING	RESTRICTED TO
		SCALE 2:1	SHEET 1 OF 2
			REV A

THIS DRAWING IS UNPUBLISHED. RELEASED FOR PUBLICATION
 © COPYRIGHT copyright_d8te- ALL RIGHTS RESERVED.

REVISIONS				
P	LTR	DESCRIPTION	DATE	APVD
		SEE SHEET 1		

WITH CABLE TIE		KEYING
2-953733-4	953733-4	
BLUE		
2-953733-3	953733-3	
GREEN		
2-953733-2	953733-2	
WHITE		
2-953733-1	953733-1	
BLACK		
LONG VERSION	SHORT VERSION	



953733-1 AS SHOWN

THIS DRAWING IS A CONTROLLED DOCUMENT.		DWN O. PAMART 06 JUN 2018	 TE Connectivity
DIMENSIONS: mm		CHK X. ROULLARD 06 JUN 2018	
		APVD J. DAHER 06 JUN 2018	
TOLERANCES UNLESS OTHERWISE SPECIFIED:		PRODUCT SPEC	NAME 4W TAB HOUSING ASS Y 1-5 SICMA TAB
± ±0.3 ± ± ANGLES ±2° FINISH - -		APPLICATION SPEC 108-15239	SIZE -
MATERIAL SEE TABLE voir tableau		WEIGHT -	CAGE CODE A200779
		CUSTOMER DRAWING	DRAWING NO C-953733
		SCALE 2:1	RESTRICTED TO SHEET 2 OF 2 REV A