



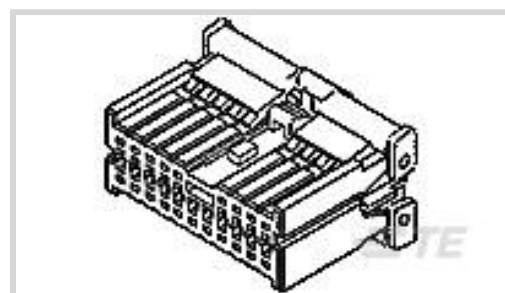
Multilock Connector System

TE Internal #: 936475-4

Wire-to-Wire, 24 Position, .098 in [2.5 mm] Centerline, Brown, Signal, Cable Mount (Free-Hanging), Key 2, Multilock Connector System

[View on TE.com >](#)

Connectors > Automotive Connectors > Connector Housings > MULTILOCK, CONNECTOR HOUSING



Mating Tab Width: 1 mm [.039 in]

Connector System: **Wire-to-Wire**

Number of Positions: 24

Centerline (Pitch): 2.5 mm [.098 in]

Sealable: **No**

[All MULTILOCK, CONNECTOR HOUSING \(576\)](#)

Features

Product Type Features

Connector & Housing Shape	Rectangular
Connector System	Wire-to-Wire
Sealable	No
Hybrid Connector	No

Configuration Features

Number of Positions	24
Number of Rows	2

Body Features

Body Material	PBT
Primary Product Color	Brown
Connector Code	2

Contact Features

Contact Size	1mm
Mating Tab Width	1 mm[.039 in]

Mechanical Attachment

Terminal Position Assurance	No
-----------------------------	----



Strain Relief	Without
Mating Alignment Type	Keyed
Mating Alignment	With
Connector Mounting Type	Cable Mount (Free-Hanging)

Housing Features

Centerline (Pitch)	2.5 mm[.098 in]
--------------------	-----------------

Dimensions

Product Width	16.9 mm[.665 in]
Product Length	37.8 mm[1.488 in]
Product Height	22 mm[.866 in]
Row-to-Row Spacing	5.5 mm[.217 in]

Operation/Application

Circuit Application	Signal
---------------------	--------

Packaging Features

Packaging Quantity	100
--------------------	-----

Other

Serviceable	No
Connector Position Assurance Capable	No

Product Compliance

[For compliance documentation, visit the product page on TE.com>](#)

EU RoHS Directive 2011/65/EU	Compliant
EU ELV Directive 2000/53/EC	Compliant
China RoHS 2 Directive MIIT Order No 32, 2016	No Restricted Materials Above Threshold
EU REACH Regulation (EC) No. 1907/2006	Current ECHA Candidate List: JUNE 2022 (224) Candidate List Declared Against: JUNE 2022 (224) Does not contain REACH SVHC
Halogen Content	Low Halogen - Br, Cl, F, I < 900 ppm per homogenous material. Also BFR/CFR/PVC Free
Solder Process Capability	Not applicable for solder process capability

Product Compliance Disclaimer

This information is provided based on reasonable inquiry of our suppliers and represents our current actual knowledge based on the information they provided. This information is subject to change. The part numbers that TE has identified as EU RoHS compliant have a maximum concentration of 0.1% by weight in homogenous materials for lead, hexavalent chromium, mercury, PBB, PBDE, DBP, BBP, DEHP, DIBP, and 0.01% for cadmium, or qualify for an exemption to these limits as defined in the Annexes of Directive 2011/65/EU (RoHS2). Finished electrical and electronic equipment products will be CE marked as required by Directive 2011/65/EU. Components may not be CE marked. Additionally, the part numbers that TE has identified as EU ELV compliant have a maximum concentration of 0.1% by weight in homogenous materials for lead, hexavalent chromium, and mercury, and 0.01% for cadmium, or qualify for an exemption to these limits as defined in the Annexes of Directive 2000/53/EC (ELV). Regarding the REACH Regulation, the information TE provides on SVHC in articles for this part number is based on the latest European Chemicals Agency (ECHA) 'Guidance on requirements for substances in articles' posted at this URL: <https://echa.europa.eu/guidance-documents/guidance-on-reach>

Compatible Parts



TE Part # CAT-SIGH262
SIGNAL HEADER



TE Part # CAT-M9194-T273
MULTILOCK, RECEPTACLE AND TAB



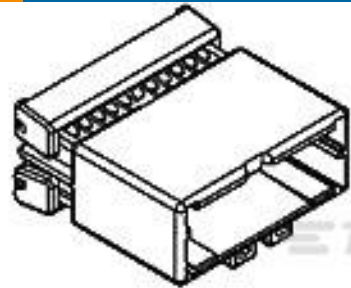
TE Part # CAT-M9194-CH8172
MULTILOCK, CONNECTOR HOUSING



TE Part # 936503-3
040 III CAP ASSY 24P GRY



TE Part # 936503-4
040 III CAP ASSY 24P BRN




TE Part # 936503-7
040 III CAP ASSY 24P GRN




TE Part # 936503-8
040 III CAP ASSY 24P BLU

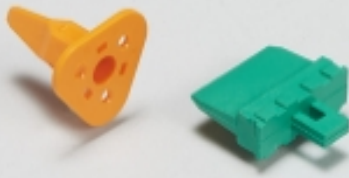
Also in the Series | Multilock Connector System




Automotive Connector Caps & Covers
(16)



Automotive Connector EMC Shielding
(1)



Automotive Connector Locks & Position Assurance(2)



Automotive Housings(575)



Automotive Seals & Cavity Plugs(2)



Automotive Terminals(140)



Insertion & Extraction Tools(6)



Other Automotive Connector Accessories(9)



PCB Headers & Receptacles(129)

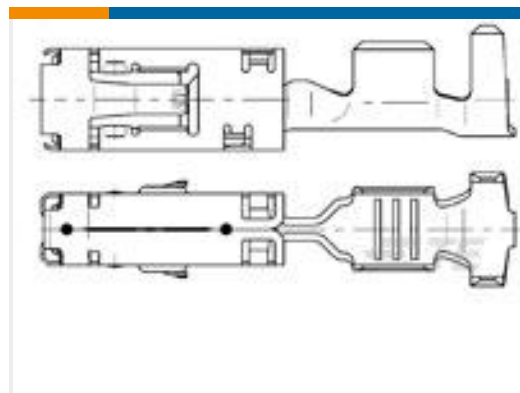
Customers Also Bought



TE Part #368511-1
MULTILOCK, CONNECTOR HOUSING



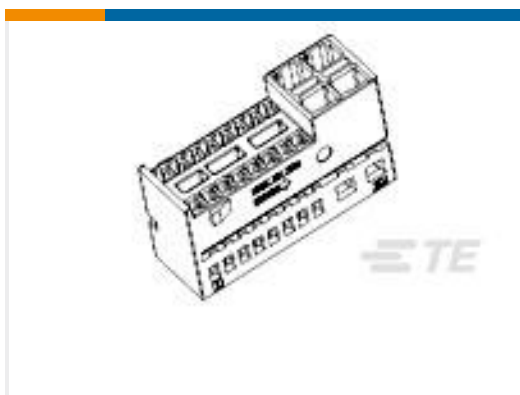
TE Part #1379668-5
TH/.025 CONNECTOR SYSTEM, HOUSING



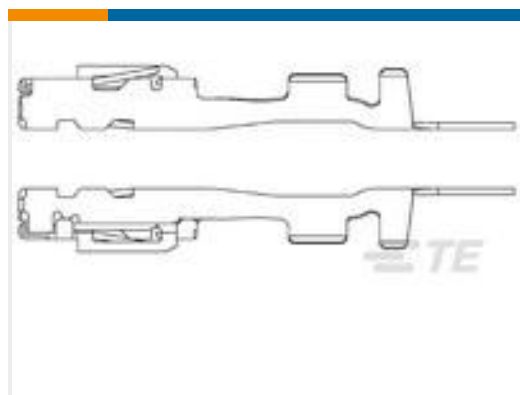
TE Part #967542-2
SENS FLA-KONT 2,8



TE Part #1-1897198-1
MCP 9.5 2P CAP HSG



TE Part #1379914-1
20POS MQS REC



TE Part #1801069-2
025 RECEPTACLE CONTACT



TE Part #1393303-9
V23134B0053C642-EV-CBOX

Documents

Product Drawings

[040 III PLUG ASSY 24P BRN](#)

English

CAD Files

[Customer View Model](#)

[ENG_CVM_CVM_936475-4_B.2d_dxf.zip](#)

English

[3D PDF](#)



3D

Customer View Model

[ENG_CVM_CVM_936475-4_B.3d_igs.zip](#)

English

Customer View Model

[ENG_CVM_CVM_936475-4_B.3d_stp.zip](#)

English

By downloading the CAD file I accept and agree to the [Terms and Conditions](#) of use.

Datasheets & Catalog Pages

[MULTILOCK Connector System](#)

English

Product Specifications

[040III Series](#)

English