



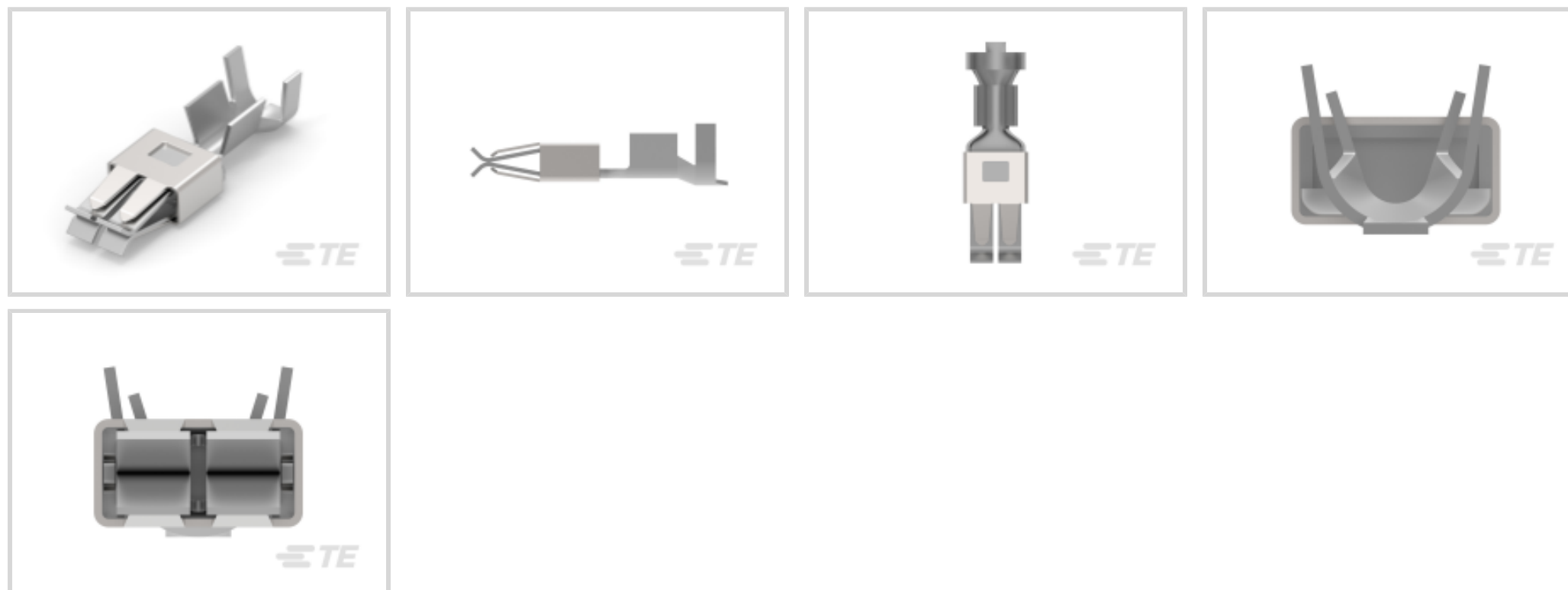
AMP | Timer Connector System

TE Internal #: 963893-1

Automotive Terminals, Receptacle, Mating Tab Width 5.8 mm [.228 in], Tab Thickness .031 in [.8 mm], 17 – 13 AWG Wire Size, Timer Connector System

[View on TE.com >](#)

Terminals & Splices > Automotive Terminals > TIMER, RECEPTACLE AND TAB



Terminal Type: **Receptacle**

Mating Tab Width: **5.8 mm [.228 in]**

Mating Tab Thickness: **.8 mm [.031 in]**

Terminal Transmits: **25 – 40 A (Power)**

Wire Size: **17 – 13 AWG**

[All TIMER, RECEPTACLE AND TAB \(344\)](#)

Features

Product Type Features

Receptacle Style	180°
Sealable	No
Primary Locking Feature	Clean Body

Contact Features

Contact Size	6.3mm
Contact Fabrication	Stamped & Formed
Crimp Type	F-Crimp
Terminal Type	Receptacle
Mating Tab Width	5.8 mm[.228 in]
Mating Tab Thickness	.8 mm[.031 in]
Interface Plating	Tin (Sn)
Contact Termination Area Plating Material	Tin (Sn)



Termination Features

Termination Method to Wire & Cable	Crimp
Product Terminates To	Wire

Dimensions

Wire Size	1 – 2.5 mm ²
Wire Size Search	13 AWG, 14 AWG, 15 AWG, 16 AWG, 17 AWG
Wire Insulation Diameter	3.85 – 3.95 mm [.151 – .155 in]

Usage Conditions

Insulation Option	Uninsulated
Operating Temperature (Max)	80 °C, 85 °C, 90 °C, 100 °C, 105 °C, 110 °C, 120 °C, 125 °C [176 °F][185 °F][194 °F][212 °F][221 °F][230 °F][248 °F][257 °F]
Operating Temperature Range	-40 – 125 °C [-40 – 257 °F]

Operation/Application

Compatible With Wire Base Material	Copper
------------------------------------	--------

Packaging Features

Packaging Method	Reel
Packaging Quantity	2800

Other

Terminal Transmits	25 – 40 A (Power)
--------------------	-------------------

Product Compliance

[For compliance documentation, visit the product page on TE.com>](#)

EU RoHS Directive 2011/65/EU	Compliant
EU ELV Directive 2000/53/EC	Compliant
China RoHS 2 Directive MIIT Order No 32, 2016	No Restricted Materials Above Threshold
EU REACH Regulation (EC) No. 1907/2006	Current ECHA Candidate List: JUNE 2022 (224) Candidate List Declared Against: JAN 2022 (223) SVHC > Threshold: Not Yet Reviewed
Halogen Content	Low Halogen - Br, Cl, F, I < 900 ppm per homogenous material. Also BFR/CFR/PVC Free

Solder Process Capability

Not applicable for solder process capability

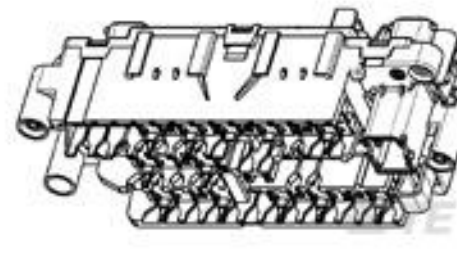
Product Compliance Disclaimer

This information is provided based on reasonable inquiry of our suppliers and represents our current actual knowledge based on the information they provided. This information is subject to change. The part numbers that TE has identified as EU RoHS compliant have a maximum concentration of 0.1% by weight in homogenous materials for lead, hexavalent chromium, mercury, PBB, PBDE, DBP, BBP, DEHP, DIBP, and 0.01% for cadmium, or qualify for an exemption to these limits as defined in the Annexes of Directive 2011/65/EU (RoHS2). Finished electrical and electronic equipment products will be CE marked as required by Directive 2011/65/EU. Components may not be CE marked. Additionally, the part numbers that TE has identified as EU ELV compliant have a maximum concentration of 0.1% by weight in homogenous materials for lead, hexavalent chromium, and mercury, and 0.01% for cadmium, or qualify for an exemption to these limits as defined in the Annexes of Directive 2000/53/EC (ELV). Regarding the REACH Regulation, the information TE provides on SVHC in articles for this part number is based on the latest European Chemicals Agency (ECHA) 'Guidance on requirements for substances in articles' posted at this URL: <https://echa.europa.eu/guidance-documents/guidance-on-reach>

Compatible Parts




TE Part # 2305570-1
TERMINAL CUTTER, SIDE FEED



TE Part # 1544266-1
FUSE BOX ASSY LEADFRAME BFH12



TE Part # 1544647-1
BFH 5



TE Part # 2-2836185-1
OCEAN_2.0_APPLICATOR-S-110F155OV



TE Part # 2-2836185-2
OCEAN_2.0_APPLICATOR-S-110F155OV



TE Part # 2836185-1
OCEAN_2.0_APPLICATOR-S-110F155OV



TE Part # 2836185-2
OCEAN_2.0_APPLICATOR-S-110F155OV



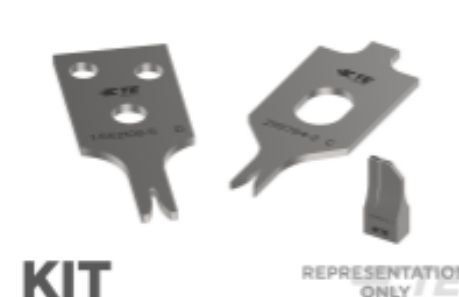
TE Part # 6-1579018-9
EXTRACTION TOOL



TE Part # 7-2836185-1
OCEAN_2.0_APPLICATOR-S-110F155OV



TE Part # 7-2836185-2
OCEAN_2.0_APPLICATOR-S-110F155OV



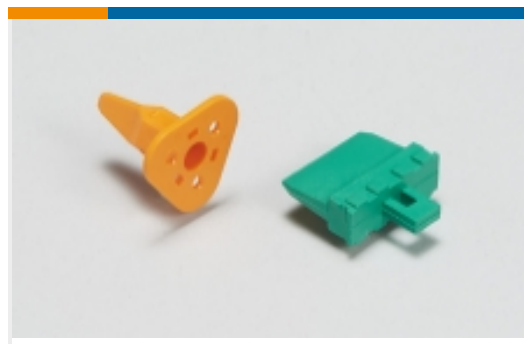
KIT
REPRESENTATION ONLY

TE Part # 7-2836185-7
OCEAN_2.0_SPARE_PART_KIT-110F155OV

Also in the Series | **Timer Connector System**



Automotive Connector Caps & Covers (11)



Automotive Connector Locks & Position Assurance(16)



Automotive Housings(219)



Automotive Seals & Cavity Plugs(31)



Automotive Terminals(138)



Crimp Terminal Housings(13)



Insertion & Extraction Tools(20)



Other Automotive Connector Accessories(1)

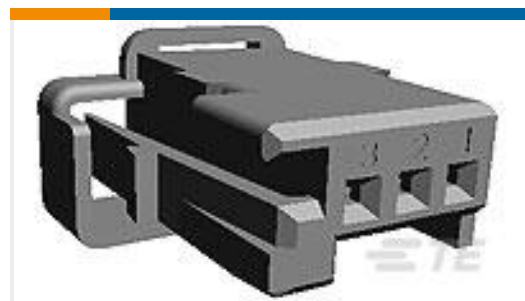


PCB Headers & Receptacles(78)



Quick Disconnects(4)

Customers Also Bought



TE Part #953697-3
3POS MOS REC



TE Part #1241978-2
JPT A REC 2.8 Contact SRC Sn



TE Part #1379659-3
8W PLUG HOUSING ASSY BLUE



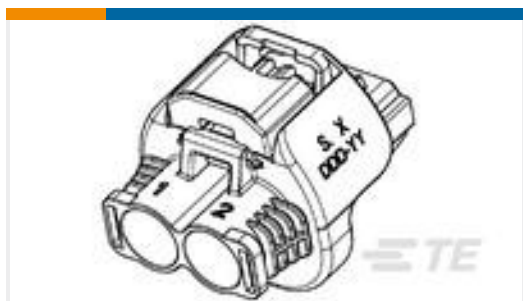
TE Part #1544107-1
CLIPS 8 MM G2 MAXI



TE Part #1544965-1
8MM NG1+ TERMINAL



TE Part #1544970-2
SEAL, NG9K



TE Part #1544978-1
RECEPT HSG ASSY, 8MM NG1+, 2W, SEALED



TE Part #1801432-1
RCPT CONT, 8MM NG1+, MAXIFUSE, 5-6 MM2



TE Part #1801620-2
2 MICRORELAYS HOLDER



TE Part #5-1904107-9
V23136J0004X105-EV-CBOX

Documents

Product Drawings

RECEPTACLE CONTACT 6,3

English

CAD Files

3D PDF

3D

Customer View Model

[ENG_CVM_CVM_963893-1_J.2d_dxf.zip](#)

English

Customer View Model

[ENG_CVM_CVM_963893-1_J.3d_igs.zip](#)

English

Customer View Model

[ENG_CVM_CVM_963893-1_J.3d_stp.zip](#)

English

By downloading the CAD file I accept and agree to the [Terms and Conditions](#) of use.

Datasheets & Catalog Pages

Timer Interconnection System

English