

936261-1 ✓ ACTIVE

Multilock Connector System

TE Internal #: 936261-1

Automotive Terminals, Tab, Mating Tab Width 2.3 mm [.091 in], Tab Thickness .025 in [.64 mm], 18 – 16 AWG Wire Size, Multilock Connector System

[View on TE.com >](#)



Terminals & Splices > Automotive Terminals > MULTILOCK, RECEPTACLE AND TAB



Terminal Type: **Tab**

Mating Tab Width: **2.3 mm [.091 in]**

Mating Tab Thickness: **.64 mm [.025 in]**

Terminal Transmits: **0 – 24 A (Low Power)**

Wire Size: **18 – 16 AWG**

[All MULTILOCK, RECEPTACLE AND TAB \(142\)](#)

Features

Product Type Features

Sealable	Yes
Primary Locking Feature	Clean Body

Body Features

Terminal Seal Type	Single Wire Seal (SWS)
--------------------	------------------------

Contact Features

Contact Size	2.3mm
Contact Fabrication	Stamped & Formed
Typical Current Rating	20 A
Crimp Type	F-Crimp
Terminal Type	Tab
Mating Tab Width	2.3 mm[.091 in]
Mating Tab Thickness	.64 mm[.025 in]



Interface Plating	Tin (Sn)
-------------------	----------

Contact Termination Area Plating Material	Tin (Sn)
---	----------

Termination Features

Termination Method to Wire & Cable	Crimp
------------------------------------	-------

Product Terminates To	Wire
-----------------------	------

Dimensions

Wire Size	.85 – 1.25 mm ²
-----------	----------------------------

Wire Size Search	16 AWG, 17 AWG, 18 AWG
------------------	------------------------

Wire Insulation Diameter	1.4 – 2.5 mm [.055 – .098 in]
--------------------------	-------------------------------

Usage Conditions

Insulation Option	Uninsulated
-------------------	-------------

Operating Temperature (Max)	80 °C, 85 °C, 90 °C, 100 °C, 105 °C, 110 °C, 120 °C, 125 °C [176 °F][185 °F][194 °F][212 °F][221 °F][230 °F][248 °F][257 °F]
-----------------------------	--

Operating Temperature Range	-40 – 125 °C [-40 – 257 °F]
-----------------------------	-----------------------------

Packaging Features

Packaging Method	Reel
------------------	------

Packaging Quantity	3000
--------------------	------

Other

Terminal Transmits	0 – 24 A (Low Power)
--------------------	----------------------

Product Compliance

[For compliance documentation, visit the product page on TE.com>](#)

EU RoHS Directive 2011/65/EU	Compliant
------------------------------	-----------

EU ELV Directive 2000/53/EC	Compliant
-----------------------------	-----------

China RoHS 2 Directive MIIT Order No 32, 2016	No Restricted Materials Above Threshold
---	---

EU REACH Regulation (EC) No. 1907/2006	Current ECHA Candidate List: JUNE 2022 (224) Candidate List Declared Against: JUNE 2022 (224) Does not contain REACH SVHC
--	---

Halogen Content	Low Halogen - Br, Cl, F, I < 900 ppm per homogenous material. Also BFR/CFR/PVC Free
-----------------	---

Solder Process Capability	Not applicable for solder process capability
---------------------------	--

Product Compliance Disclaimer

This information is provided based on reasonable inquiry of our suppliers and represents our current actual knowledge based on the information they provided. This information is subject to change. The part numbers that TE has identified as EU RoHS compliant have a maximum concentration of 0.1% by weight in homogenous materials for lead, hexavalent chromium, mercury, PBB, PBDE, DBP, BBP, DEHP, DIBP, and 0.01% for cadmium, or qualify for an exemption to these limits as defined in the Annexes of Directive 2011/65/EU (RoHS2). Finished electrical and electronic equipment products will be CE marked as required by Directive 2011/65/EU. Components may not be CE marked. Additionally, the part numbers that TE has identified as EU ELV compliant have a maximum concentration of 0.1% by weight in homogenous materials for lead, hexavalent chromium, and mercury, and 0.01% for cadmium, or qualify for an exemption to these limits as defined in the Annexes of Directive 2000/53/EC (ELV). Regarding the REACH Regulation, the information TE provides on SVHC in articles for this part number is based on the latest European Chemicals Agency (ECHA) 'Guidance on requirements for substances in articles' posted at this URL: <https://echa.europa.eu/guidance-documents/guidance-on-reach>

Compatible Parts



TE Part # 2305570-1
TERMINAL CUTTER, SIDE FEED



TE Part # CAT-M9194-CH8172
MULTILOCK, CONNECTOR HOUSING



TE Part # 2-2836259-1
OC-PA-S-FM-090F165O-001-0031



TE Part # 2-2836259-2
OC-PA-S-FA-090F165O-001-0031



TE Part # 2836259-1
OC-AT-S-FM-090F165O-001-0031



TE Part # 2836259-2
OC-AT-S-FA-090F165O-001-0031




KIT
REPRESENTATION ONLY

TE Part # 7-2836259-7
OC-090F165O-CRIMPTOOLINGKIT




TE Part # 936291-8
090 SLD 2P CAP ASSY BLUE

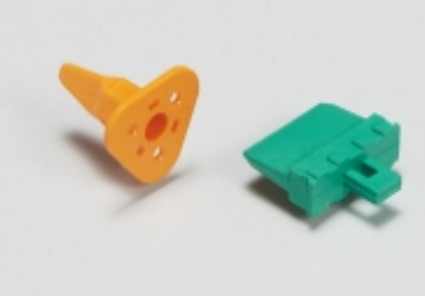
Also in the Series | Multilock Connector System




Automotive Connector Caps & Covers (16)



Automotive Connector EMC Shielding (1)



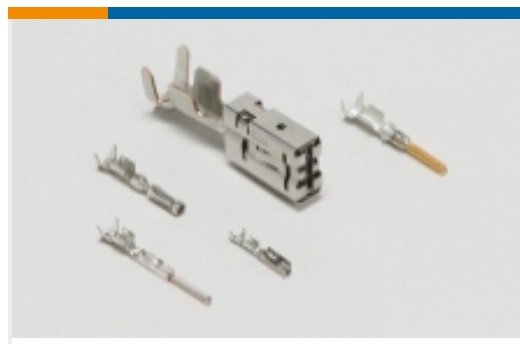
Automotive Connector Locks & Position Assurance(2)



Automotive Housings(575)



Automotive Seals & Cavity Plugs(2)



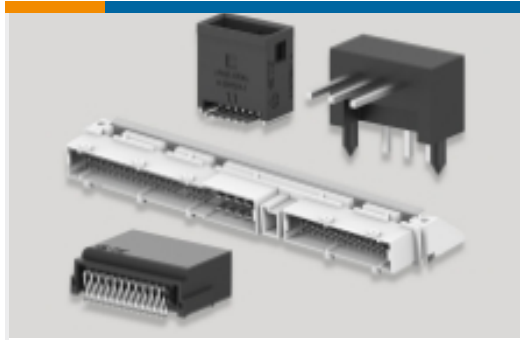
Automotive Terminals(140)



Insertion & Extraction Tools(6)



Other Automotive Connector Accessories(9)



PCB Headers & Receptacles(129)

Customers Also Bought



TE Part #1452327-1
JPT HSG ASSY 6P



TE Part #1-1670915-1
2POS, MCON 1.2 LL REC SEALED



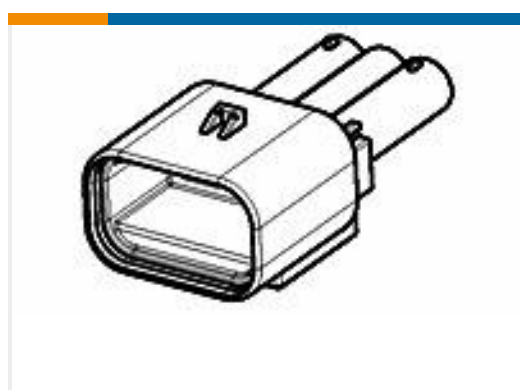
TE Part #1326031-4
2.8MM BLD,SEAL,16AWG



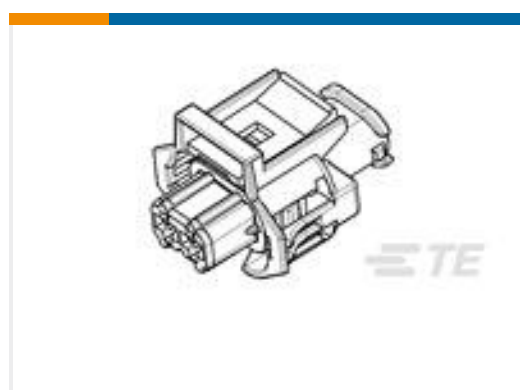
TE Part #962876-2
TIMER, RECEPTACLE AND TAB



TE Part #968073-2
MQS, RECEPTACLE AND TAB



TE Part #936292-2
090 SLD 3P CAP ASSY BLACK



TE Part #1-936059-1
2.8MM SLD 2P PLUG ASSY



TE Part #1544603-1
1W 8MM NG1 SEALED CLIP ASSY BLACK

Documents

Product Drawings

[090 SLD TAB CONT\(0.85-1.25\)](#)

English

CAD Files

[3D PDF](#)

[3D](#)

[Customer View Model](#)

[ENG_CVM_CVM_936261-1_O.2d_dxf.zip](#)



English

Customer View Model

[ENG_CVM_CVM_936261-1_O.3d_igs.zip](#)

English

Customer View Model

[ENG_CVM_CVM_936261-1_O.3d_stp.zip](#)

English

By downloading the CAD file I accept and agree to the [Terms and Conditions](#) of use.

Datasheets & Catalog Pages

[MULTILOCK Connector System](#)

English

Product Specifications

[Application Specification](#)

English

Product Environmental Compliance

[Product Compliance](#)

English

[Product Compliance](#)

English