



Junior Power Timer

TE Internal #: 936567-2

Housing for Female Terminals, Wire-to-Wire, 2 Position, .196 in [5 mm] Centerline, Sealable, Black, Signal, Junior Power Timer

[View on TE.com >](#)

Connectors > Automotive Connectors > Connector Housings > TIMER, CONNECTOR HOUSING



Connector & Housing Type: **Housing for Female Terminals**

Mating Tab Width: **2.8 mm [.11 in]**

Connector System: **Wire-to-Wire**

Number of Positions: **2**

Centerline (Pitch): **5 mm [.196 in]**

[All TIMER, CONNECTOR HOUSING \(543\)](#)

Features

Product Type Features

Connector & Housing Shape	Rectangular
Connector & Housing Type	Housing for Female Terminals
Connector System	Wire-to-Wire
Sealable	Yes
Hybrid Connector	No
Primary Locking Feature	Integrated in Housing

Configuration Features

Number of Positions	2
Number of Rows	1

Body Features

Cable Exit Angle	180°
Body Material	PBT GF
Primary Product Color	Black

Contact Features

Contact Size	2.8mm
Contact Type	Receptacle
Mating Tab Width	2.8 mm[.11 in]



Mechanical Attachment

Mounting Feature	Without
Terminal Position Assurance	Yes
Strain Relief	Without
Mating Alignment Type	Polarization Slot
Mating Alignment	With
Connector Mounting Type	Cable Mount (Free-Hanging)

Housing Features

Centerline (Pitch)	5 mm [.196 in]
--------------------	----------------

Dimensions

Product Width	33 mm [1.29 in]
Product Length	25 mm [.984 in]
Product Height	24 mm [.944 in]

Operation/Application

Circuit Application	Signal
---------------------	--------

Packaging Features

Packaging Quantity	100
Packaging Method	Bag

Other

Serviceable	No
Connector Position Assurance Capable	No

Product Compliance

[For compliance documentation, visit the product page on TE.com>](#)

EU RoHS Directive 2011/65/EU	Compliant
EU ELV Directive 2000/53/EC	Compliant
China RoHS 2 Directive MIIT Order No 32, 2016	No Restricted Materials Above Threshold
EU REACH Regulation (EC) No. 1907/2006	Current ECHA Candidate List: JUNE 2022 (224) Candidate List Declared Against: JUNE 2022 (224) Does not contain REACH SVHC
Halogen Content	Not Low Halogen - contains Br or Cl > 900 ppm.

Solder Process Capability

Not applicable for solder process capability

Product Compliance Disclaimer

This information is provided based on reasonable inquiry of our suppliers and represents our current actual knowledge based on the information they provided. This information is subject to change. The part numbers that TE has identified as EU RoHS compliant have a maximum concentration of 0.1% by weight in homogenous materials for lead, hexavalent chromium, mercury, PBB, PBDE, DBP, BBP, DEHP, DIBP, and 0.01% for cadmium, or qualify for an exemption to these limits as defined in the Annexes of Directive 2011/65/EU (RoHS2). Finished electrical and electronic equipment products will be CE marked as required by Directive 2011/65/EU. Components may not be CE marked. Additionally, the part numbers that TE has identified as EU ELV compliant have a maximum concentration of 0.1% by weight in homogenous materials for lead, hexavalent chromium, and mercury, and 0.01% for cadmium, or qualify for an exemption to these limits as defined in the Annexes of Directive 2000/53/EC (ELV). Regarding the REACH Regulation, the information TE provides on SVHC in articles for this part number is based on the latest European Chemicals Agency (ECHA) 'Guidance on requirements for substances in articles' posted at this URL: <https://echa.europa.eu/guidance-documents/guidance-on-reach>

Compatible Parts



TE Part # 828905-1
SINGLE-WIRE-SEAL(5MM HOLE)



TE Part # 828904-1
SINGLE WIRE SEAL FOR J.P.T.CON



TE Part # 828904-2
SINGLE WIRE SEAL FOR J.P.T.CON



TE Part # CAT-T4827-T273
TIMER, RECEPTACLE AND TAB



TE Part # 936458-2
COVER HSG FOR JPT 2P ASSY



TE Part # 828904-3
SINGLE WIRE SEAL FOR J.P.T.CON
(5MM HOLE)

Also in the Series | Junior Power Timer



Automotive Connector Caps & Covers
(5)



Automotive Housings(225)



Automotive Seals & Cavity Plugs(10)



Automotive Terminals(82)



Busbars & Terminals(1)



Insertion & Extraction Tools(9)



Module Components(6)

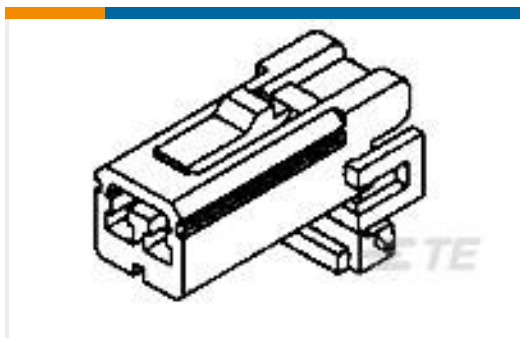


Other Automotive Connector Accessories(1)

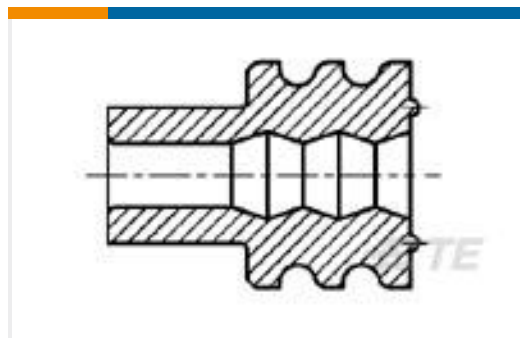


PCB Headers & Receptacles(1)

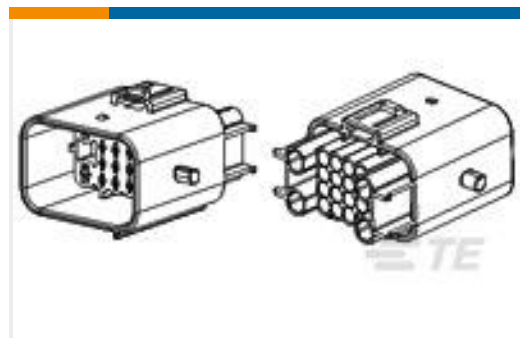
Customers Also Bought



TE Part #368538-1
070 MLC PLUG 2P HSG



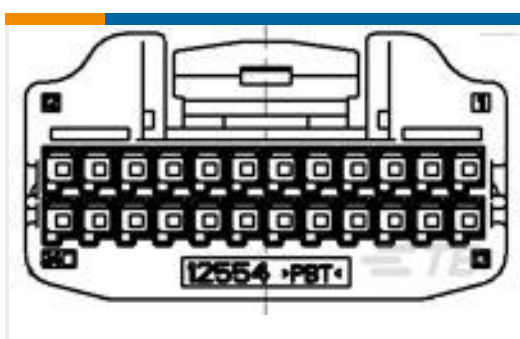
TE Part #963292-1
WIRE SEALING 2,2



TE Part #936780-2
MT-II/JPT SLD 20P CAP HSG



TE Part #936159-1
FUEL PUMP 6P PLUG ASSY JPT TYP



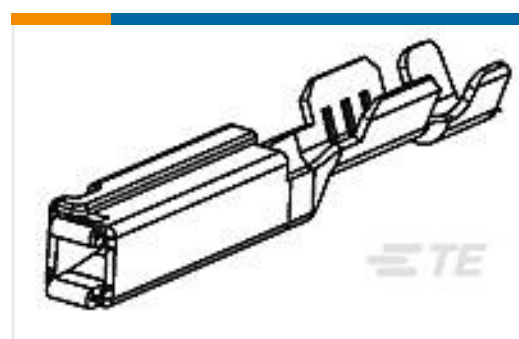
TE Part #1318917-1
025 ECU PLUG HSG ASSY 24P



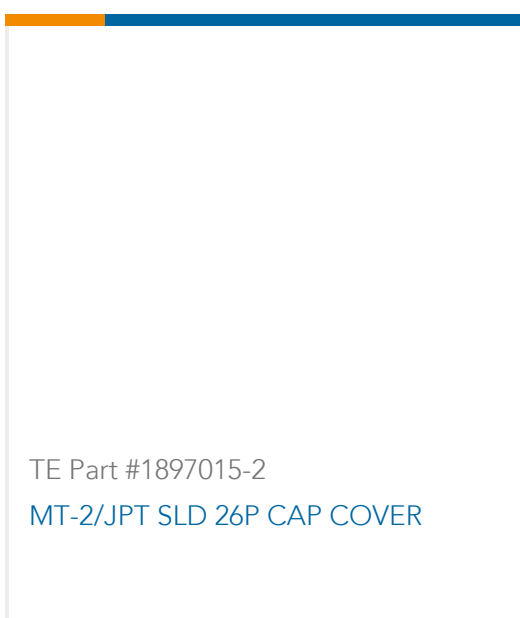
TE Part #1241396-1
AMP MCP, RECEPTACLE AND TAB



TE Part #1452158-1
MQS1,5 Sn rec CB unseal. 0,35-0,5



TE Part #1393367-1
V23540X7000Y 11=GET-FEM TERM S



TE Part #1897015-2
MT-2/JPT SLD 26P CAP COVER

Documents



Product Drawings

JPT 2P ASSY FOR LPI INJECTOR

English

CAD Files

Customer View Model

[ENG_CVM_CVM_936567-2_O.2d_dxf.zip](#)

English

3D PDF

3D

Customer View Model

[ENG_CVM_CVM_936567-2_O.3d_igs.zip](#)

English

Customer View Model

[ENG_CVM_CVM_936567-2_O.3d_stp.zip](#)

English

By downloading the CAD file I accept and agree to the [Terms and Conditions](#) of use.

Datasheets & Catalog Pages

Timer Interconnection System

English

Product Specifications

Application Specification

English

Instruction Sheets

Instruction Sheet (non U.S.)

English