

PRODUCT NUMBER

98414-XXX-XX-XXXLF

- PLATING \_\_\_\_\_ RoHS COMPATIBLE, SEE NOTE 8
- S = 0.38µm GOLD/GXT ON CONTACT AREA  
2µm MIN MATTE TIN ON TAIL
- G = 0.76µm GOLD/GXT ON CONTACT AREA  
2µm MIN MATTE TIN ON TAIL
- F = GOLD FLASH ON CONTACT AREA  
2µm MIN MATTE TIN ON TAIL
- T = 2.0-6.0µm FULL MATTE TIN  
1.27µm Ni MIN UNDERLAYER
- POLARIZATION, SEE NOTE 7
- PACKAGING, SEE NOTE 5
- TOTAL NB OF POSITIONS, 04 TO 50 POS
- COLOR OPTION NOTE 1
- | PIN STYLE | POST LENGTH | TAIL LENGTH |
|-----------|-------------|-------------|
| 04        | 4.00        | 2.00        |
| 06        | 4.00        | 2.50        |
| 08        | 4.00        | 3.10        |
| 10        | 4.00        | 3.70        |

NOTES:

- MATERIAL HOUSING: HIGH TEMP. THERMOPLASTIC UL-94V0  
- = STANDARD COLOR CREAM  
B = OPTIONAL COLOR BLACK
- MATERIAL TERMINAL: COPPER ALLOY
- TO DETERMINE DIMENSIONS:  
N = NUMBER OF POSITIONS PER ROW
- 7N MIN. PIN RETENTION IN EITHER DIRECTION.
- PACKAGING:  
= STANDARD PACKAGING IN POLYBAGS  
- = POLYBAGS PACKAGING WHEN POLARISATION FEATURE APPLICABLE  
B = TUBE WITH PICK-UP CAP FOR 12 UP TO 50 POS  
U = TUBE AVAILABLE FROM 06 TO 50 POS  
UV = TUBE WITHOUT PICK UP CAP FOR CUSTOMER DEDICATED PART  
A = TAPE & REEL WITH PICK UP CAP  
AV = TAPE & REEL WITH PICK UP CAP FOR CUSTOMER DEDICATED PART  
KV = TAPE & REEL WITHOUT PICK UP CAP FOR CUSTOMER DEDICATED PART
- DIM "C" = (N x 2) + 1.4  
EXAMPLE: N = 7  
DIM "C" = (7 x 2) + 1.4 = 15.4 mm
- FOR POLARIZATION, SPECIFIED PIN  
EXAMPLE : A03 = ROW A, POSITION 03 TO OMIT PIN  
OMIT FROM PRODUCT NUMBER IF THIS FEATURE IS NOT APPLICABLE.
- RoHS COMPATIBLE PRODUCT SPECIFICATIONS

a - PLATING:

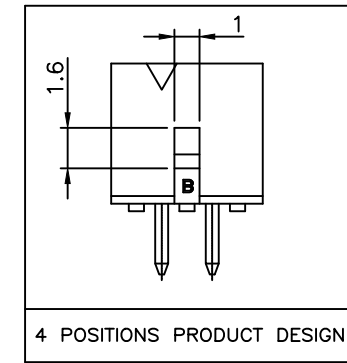
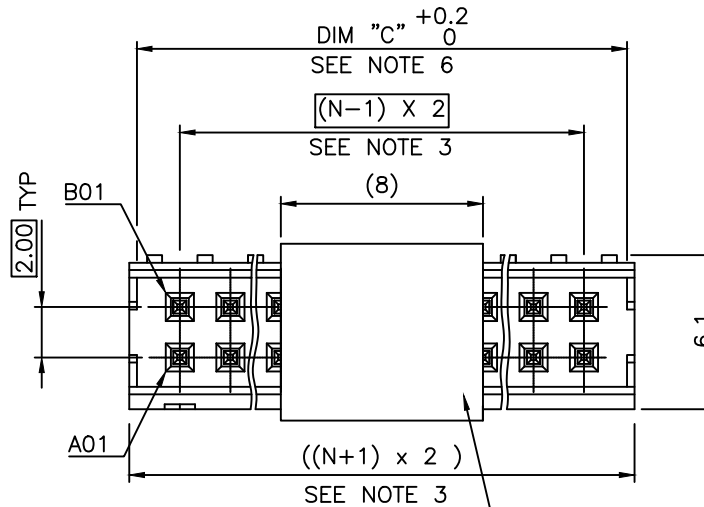
- "LF" MEANS THE PRODUCT IS LEAD-FREE,  
2µm MINIMUM MATTE TIN OVER 1.27µm  
MINIMUM NICKEL UNDERPLATE.

b - MANUFACTURING PROCESS COMPATIBILITY

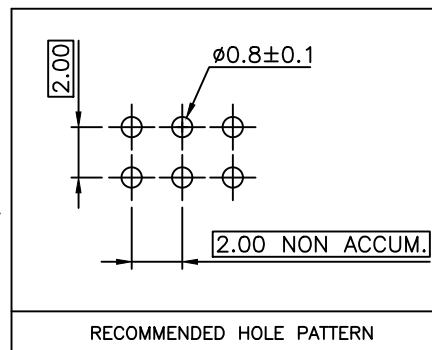
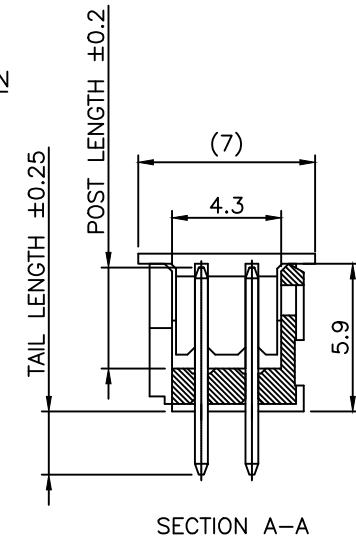
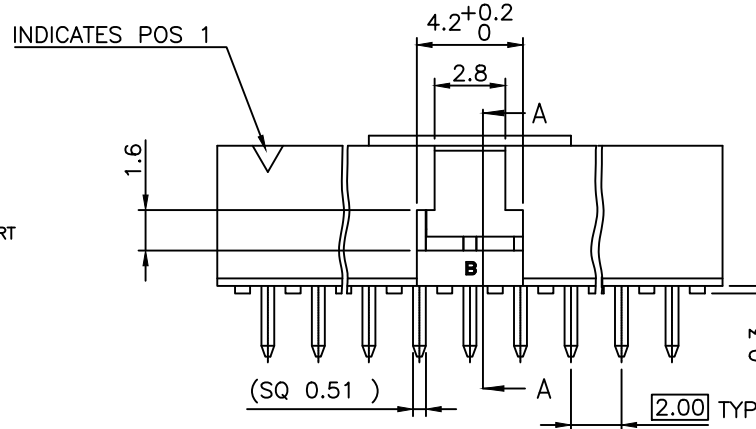
- THE HOUSING WILL WITHSTAND EXPOSURE TO 260°C PEAK TEMPERATURE FOR 30 SECONDS MAX IN A CONVECTION, INFRA-RED, OR VAPOR PHASE OR REFLOW OVEN
- THE HOUSING WILL WITHSTAND EXPOSURE TO 260°C ±5°C SOLDER BATH TEMPERATURE FOR 5 SECONDS IN A WAVE SOLDER APPLICATION WITH A 1.6mm MIN THICK CIRCUIT BOARD.

c - LABELLING:

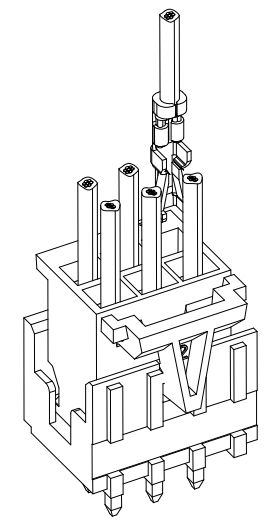
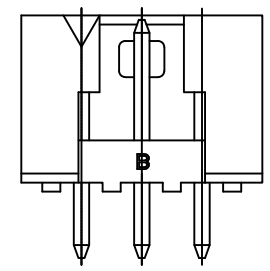
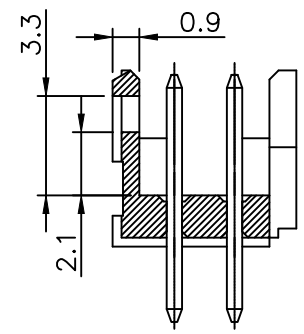
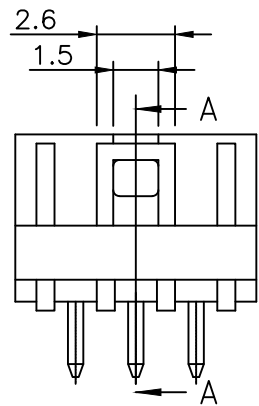
- MEETS PACKAGING SPECS AS PER GS-14-920
- THIS PRODUCT MEETS EUROPEAN DIRECTIVES AND OTHER COUNTRY REGULATIONS AS DISCRIBED IN GS-47-0004



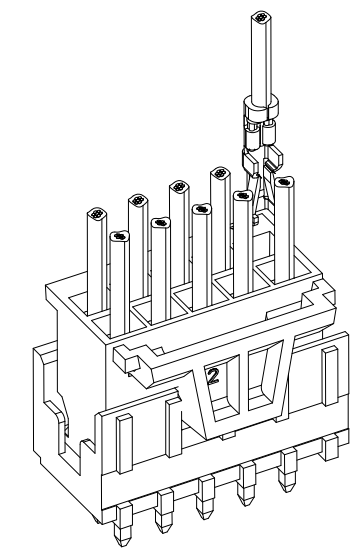
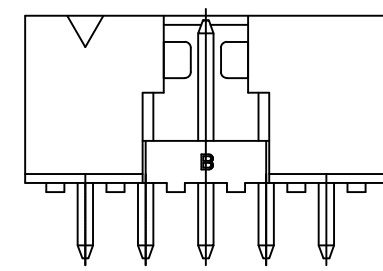
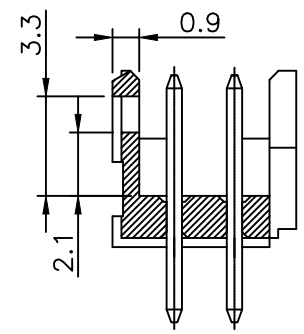
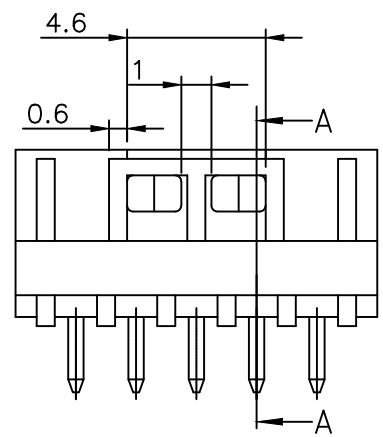
PICK UP CAP OPTION  
NOTE 5



mat'l. code		surface		tolerance		projection		product family	
SEE NOTES		ISO 1302 ✓		ISO 406 ISO 101		mm		MINITEK	
ltr	ecn no	dr	date	tolerances unless otherwise specified		mm		title	
P	F10-0215	JCO	10.09.16	angles	linear	X.X ±0.3	SHR HEADER		
R	B-18812	LMU	14.09.15			X.XX ±0.13	2.00 VERTICAL TMT		
S	B-19190	LMU	14.10.24			X.XXX ±0.05	scale 1:1		
T	B-19797	AMA	14.12.16	dr	L.MULIN	04.09.27	dwg no		sheet 1 of 2
U	B-19988	LMU	15.01.13	engr	J.COMPAGNON	04.09.27	89414		A3
V	F-34383	LMU	19.07.30	chr			type		CUSTOMER Drawing
W	F-34619	DDE	19.08.20	appd	JM.C	04.09.27			
sheet index	revision	W	A						
	sheet	1	2						



2x3 POS AND 2x4 POS CONFIGURATION  
NO LATCHING AVAILABLE FOR 2x2 POS



2x5 POS UP TO 2x25 POS CONFIGURATION

LATCHING FEATURES WHEN USED IN COMBINATION  
WITH ACTIVE LATCH HOUSING 10073599

mat'l. code		surface		tolerance		projection		product family	
SEE NOTES		ISO 1302 ✓		ISO 406 ISO		101		MINITEK	
ltr	ecn no	dr	date	tolerances unless otherwise specified		mm		title	
A	F08-0113	LMU	08.01.17	angles	linear	X.X ±0.3	scale 1:1	SHR HEADER	
						X.XX ±0.13		2.00 VERTICAL TMT	
						X.XXX ±0.05			
		dr	L.MULIN	07.11.06				sheet 2 of - size	
		engr	J.COMPAGNON	07.11.06				98414 A3	
		chr						type	
		appd	JM.C	07.11.06				CUSTOMER Drawing	
sheet index	revision sheet								



Copyright FCJ