



AMP | Standard Power Timer

TE Internal #: 927836-2

Automotive Terminals, Receptacle, Mating Tab Width 5.8 mm / 6.3 mm [.248 in / .228 in], Tab Thickness .031 in [.8 mm], Standard Power Timer

[View on TE.com >](#)

Terminals & Splices > Automotive Terminals > TIMER, RECEPTACLE AND TAB



Terminal Type: **Receptacle**

Mating Tab Width: **5.8 mm, 6.3 mm** [.228 in, .248 in]

Mating Tab Thickness: **.8 mm** [.031 in]

Terminal Transmits: **25 – 40 A (Power)**

Wire Size: **20 – 17 AWG**

[All TIMER, RECEPTACLE AND TAB \(344\)](#)

Features

Product Type Features

Receptacle Style	180°
Sealable	Yes
Primary Locking Feature	Locking Lance

Body Features

Terminal Seal Type	Single Wire Seal (SWS)
--------------------	------------------------

Contact Features

Contact Size	6.3mm
Contact Fabrication	Stamped & Formed
Typical Current Rating	40 A
Crimp Type	F-Crimp
Terminal Type	Receptacle
Mating Tab Width	5.8 mm, 6.3 mm [.228 in][.248 in]
Mating Tab Thickness	.8 mm [.031 in]
Interface Plating	Tin (Sn)
Contact Termination Area Plating Material	Tin (Sn)

Termination Features

Termination Method to Wire & Cable	Crimp
------------------------------------	-------



Product Terminates To	Wire
-----------------------	------

Dimensions

Wire Size	.5 – 1 mm ²
Wire Size Search	17 AWG, 18 AWG, 19 AWG, 20 AWG
Wire Insulation Diameter	1.4 – 3 mm [.236 in]

Usage Conditions

Insulation Option	Uninsulated
Operating Temperature (Max)	80 °C, 85 °C, 90 °C, 100 °C, 105 °C, 110 °C, 120 °C, 125 °C, 130 °C [176 °F][185 °F][194 °F][212 °F][221 °F][230 °F][248 °F][257 °F][266 °F]
Operating Temperature Range	-40 – 130 °C [-40 – 266 °F]

Operation/Application

Compatible With Wire Base Material	Copper
------------------------------------	--------

Industry Standards

Agency/Standard	IEC 664/664A (DIN VDE 0110)
-----------------	-----------------------------

Packaging Features

Packaging Method	Reel
Packaging Quantity	1500

Other

Terminal Transmits	25 – 40 A (Power)
--------------------	-------------------

Product Compliance

[For compliance documentation, visit the product page on TE.com>](#)

EU RoHS Directive 2011/65/EU	Compliant
EU ELV Directive 2000/53/EC	Compliant
China RoHS 2 Directive MIIT Order No 32, 2016	No Restricted Materials Above Threshold
EU REACH Regulation (EC) No. 1907/2006	Current ECHA Candidate List: JUNE 2022 (224) Candidate List Declared Against: JUL 2021 (219) SVHC > Threshold: Not Yet Reviewed
Halogen Content	Low Halogen - Br, Cl, F, I < 900 ppm per homogenous material. Also BFR/CFR/PVC

Free

Solder Process Capability

Not applicable for solder process capability

Product Compliance Disclaimer

This information is provided based on reasonable inquiry of our suppliers and represents our current actual knowledge based on the information they provided. This information is subject to change. The part numbers that TE has identified as EU RoHS compliant have a maximum concentration of 0.1% by weight in homogenous materials for lead, hexavalent chromium, mercury, PBB, PBDE, DBP, BBP, DEHP, DIBP, and 0.01% for cadmium, or qualify for an exemption to these limits as defined in the Annexes of Directive 2011/65/EU (RoHS2). Finished electrical and electronic equipment products will be CE marked as required by Directive 2011/65/EU. Components may not be CE marked. Additionally, the part numbers that TE has identified as EU ELV compliant have a maximum concentration of 0.1% by weight in homogenous materials for lead, hexavalent chromium, and mercury, and 0.01% for cadmium, or qualify for an exemption to these limits as defined in the Annexes of Directive 2000/53/EC (ELV). Regarding the REACH Regulation, the information TE provides on SVHC in articles for this part number is based on the latest European Chemicals Agency (ECHA) 'Guidance on requirements for substances in articles' posted at this URL: <https://echa.europa.eu/guidance-documents/guidance-on-reach>

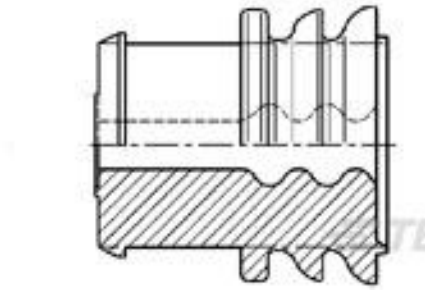
Compatible Parts



TE Part # 4-1579007-3
EXTRACTION TOOL KIT



TE Part # 1-1579007-6
EXTRACTION TOOL



TE Part # 963243-1
EINZELDRAHTDICHTUNG



TE Part # 963244-1
EINZELDRAHTDICHTUNG



TE Part # 2305570-1
TERMINAL CUTTER, SIDE FEED



TE Part # CAT-T4827-CH8172
TIMER, CONNECTOR HOUSING



TE Part # CAT-T4827-T273
TIMER, RECEPTACLE AND TAB



TE Part # 2-2151159-1
OCEAN_2.0_APPlicATOR-S-080F2500



TE Part # 2-2151159-2
OCEAN_2.0_APPlicATOR-S-080F2500A



TE Part # 2151159-1
OCEAN_2.0_APPlicATOR-S-080F2500



TE Part # 2151159-2
OCEAN_2.0_APPlicATOR-S-080F2500A



TE Part # 7-2151159-1
OCEAN_2.0_APPlicATOR-S-080F2500



TE Part # 7-2151159-2
OCEAN_2.0_APPLICATOR-S-080F2500A



KIT
REPRESENTATION ONLY

TE Part # 7-2151159-7
OCEAN_2.0_SPARE_PART_KIT-080F2500




TE Part # 539736-2
DIE (EDS)




TE Part # 964594-1
HALTER F3XSICHERG C


Also in the Series | Standard Power Timer




Automotive Housings(31)



Automotive Terminals(54)



Busbars & Terminals(3)

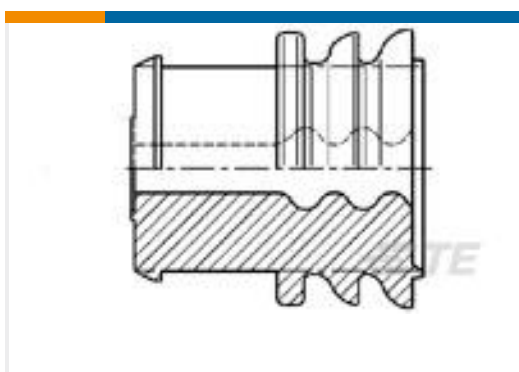


Insertion & Extraction Tools(1)



Module Components(6)

Customers Also Bought



TE Part #963243-1
EINZELDRAHTDICHTUNG



TE Part #DRC26-40SC
PLG, 40P, BLK, C




TE Part #1563125-1
10POS, MIXED, TAB HSG



TE Part #1241962-1
SPT REC 6.3 Contact SWS Sn



TE Part #5-968220-5
MQS0,63 Au rec CB unseal. 0,2-0,35



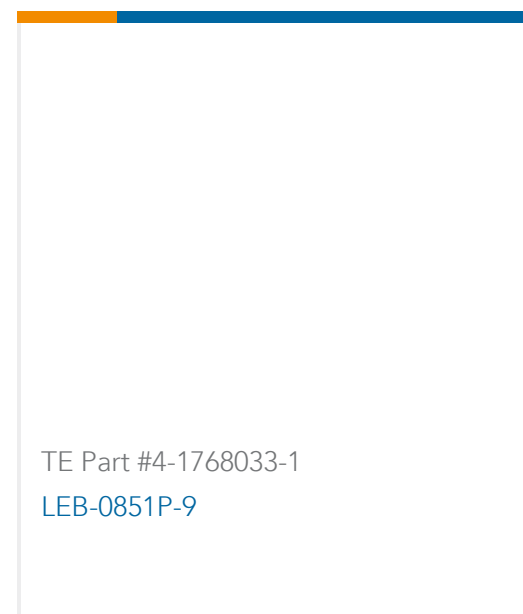
TE Part #4-1722368-7
FLOATING SHEAR



TE Part #1-1722368-1
FLOATING SHEAR



TE Part #1-1722368-8
SPRING, DEPRESSOR WIRE



Documents

Product Drawings

SPT REC 6.3 Contact SWS Sn

English

CAD Files

Customer View Model

ENG_CVM_CVM_927836-2_C.2d_dxf.zip

English

3D PDF

3D

Customer View Model

ENG_CVM_CVM_927836-2_C.3d_igs.zip

English

Customer View Model

ENG_CVM_CVM_927836-2_C.3d_stp.zip

English

By downloading the CAD file I accept and agree to the [Terms and Conditions](#) of use.

Datasheets & Catalog Pages

Timer Interconnection System

English

Product Specifications

Application Specification

German

Application Specification

English

Application Specification

English

Product Environmental Compliance

Product Compliance

English

Product Compliance

English

