



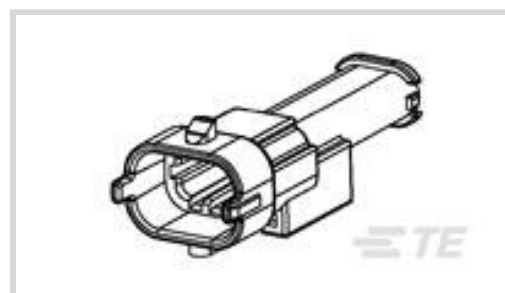
Sealed Sensor Connector SSC System

TE Internal #: 936462-2

Housing for Female Terminals, Wire-to-Board / Wire-to-Wire / Wire-to-Device, 2 Position, .197 in [5 mm] Centerline, Sealed Sensor Connector SSC System

[View on TE.com >](#)

Connectors > Automotive Connectors > Connector Housings > AMP MCP, SEALED CONNECTOR HOUSING



Connector & Housing Type: **Housing for Female Terminals**

Mating Tab Width: **2.8 mm [.11 in]**

Connector System: **Wire-to-Board, Wire-to-Device, Wire-to-Wire**

Number of Positions: **2**

Centerline (Pitch): **5 mm [.197 in]**

[All AMP MCP, SEALED CONNECTOR HOUSING \(158\)](#)

Features

Product Type Features

Connector & Housing Shape	Rectangular
Connector & Housing Type	Housing for Female Terminals
Connector System	Wire-to-Board, Wire-to-Device, Wire-to-Wire
Sealable	No
Hybrid Connector	No

Configuration Features

Number of Positions	2
Number of Rows	1

Body Features

Body Material	PA GF
Primary Product Color	Black

Contact Features

Contact Size	2.8mm
Contact Type	Receptacle
Mating Tab Width	2.8 mm[.11 in]

Mechanical Attachment



Terminal Position Assurance	No
Strain Relief	Without
Mating Alignment Type	Polarization Slot
Mating Alignment	With
Connector Mounting Type	Cable Mount (Free-Hanging)

Housing Features

Centerline (Pitch)	5 mm [.197 in]
--------------------	----------------

Dimensions

Product Width	14.9 mm [.586 in]
Product Length	19.4 mm [.764 in]
Product Height	50.4 mm [1.984 in]

Operation/Application

Circuit Application	Signal
---------------------	--------

Packaging Features

Packaging Quantity	400
Packaging Method	Bag

Other

Serviceable	No
Connector Position Assurance Capable	No

Product Compliance

[For compliance documentation, visit the product page on TE.com>](#)

EU RoHS Directive 2011/65/EU	Compliant
EU ELV Directive 2000/53/EC	Compliant
China RoHS 2 Directive MIIT Order No 32, 2016	No Restricted Materials Above Threshold
EU REACH Regulation (EC) No. 1907/2006	Current ECHA Candidate List: JUNE 2022 (224) Candidate List Declared Against: JUNE 2022 (224) Does not contain REACH SVHC
Halogen Content	BFR/CFR/PVC Free, but Br/Cl >900 ppm in other sources.
Solder Process Capability	Not applicable for solder process capability

Product Compliance Disclaimer

This information is provided based on reasonable inquiry of our suppliers and represents our current actual knowledge based on the information they provided. This information is subject to change. The part numbers that TE has identified as EU RoHS compliant have a maximum concentration of 0.1% by weight in homogenous materials for lead, hexavalent chromium, mercury, PBB, PBDE, DBP, BBP, DEHP, DIBP, and 0.01% for cadmium, or qualify for an exemption to these limits as defined in the Annexes of Directive 2011/65/EU (RoHS2). Finished electrical and electronic equipment products will be CE marked as required by Directive 2011/65/EU. Components may not be CE marked. Additionally, the part numbers that TE has identified as EU ELV compliant have a maximum concentration of 0.1% by weight in homogenous materials for lead, hexavalent chromium, and mercury, and 0.01% for cadmium, or qualify for an exemption to these limits as defined in the Annexes of Directive 2000/53/EC (ELV). Regarding the REACH Regulation, the information TE provides on SVHC in articles for this part number is based on the latest European Chemicals Agency (ECHA) 'Guidance on requirements for substances in articles' posted at this URL: <https://echa.europa.eu/guidance-documents/guidance-on-reach>

Compatible Parts



TE Part # 936059-1
2.8MM SLD 2P PLUG ASSY



TE Part # 936103-1
2.8MM SLD 2P PLUG RETAINER YEL



TE Part # 828905-1
SINGLE-WIRE-SEAL(5MM HOLE)



TE Part # 828904-1
SINGLE WIRE SEAL FOR J.P.T.CON



TE Part # 828904-2
SINGLE WIRE SEAL FOR J.P.T.CON



TE Part # CAT-T4827-T273
TIMER, RECEPTACLE AND TAB



TE Part # CAT-T4827-CH8172
TIMER, CONNECTOR HOUSING



TE Part # 936111-1
2.8mm Sealed 2P Cover



TE Part # 1-936059-1
2.8MM SLD 2P PLUG ASSY



TE Part # 1-936059-3
2.8MM SLD 2P PLUG ASSY



TE Part # 936059-2
2.8MM SLD 2P PLUG ASSY



TE Part # 828904-3
SINGLE WIRE SEAL FOR J.P.T.CON (5MM HOLE)

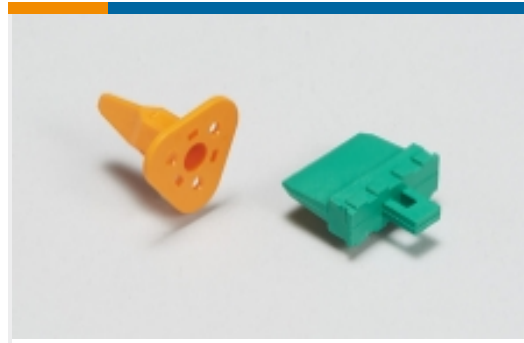


TE Part # 1-2005388-3
JPT SLD 2P PLUG ASSY-2 GRY

Also in the Series | Sealed Sensor Connector SSC System



Automotive Connector Caps & Covers (7)



Automotive Connector Locks & Position Assurance (6)



Automotive Housings (174)



Automotive Seals & Cavity Plugs (3)



Automotive Terminals (8)

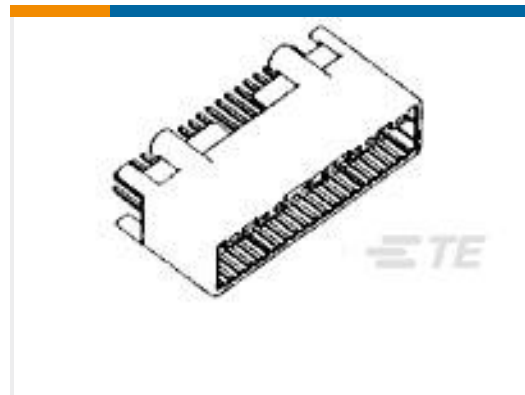


Insertion & Extraction Tools (1)

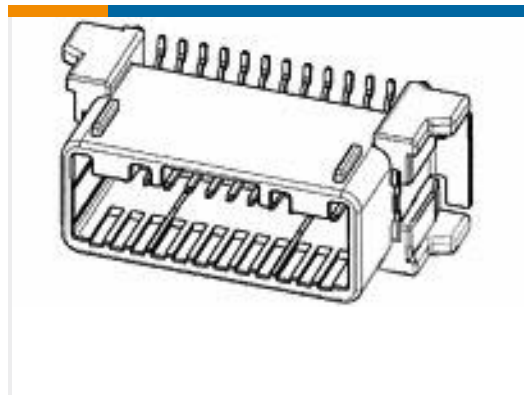


Other Automotive Connector Accessories (7)

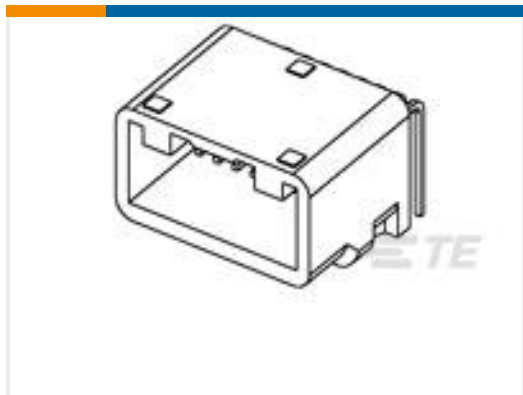
Customers Also Bought



TE Part #1376113-7
025 40POS CAP ASSY V SELECTIVE-TIN



TE Part #1717396-1
0.64 SMD 16P CAP ASSEMBLY V-TYPE.



TE Part #6318382-3
025 16 Pos Cap Assy H Au



TE Part #2312143-1
1POS,COAX,HDR ASSY,90DEG



TE Part #2260316-2
0.5/1.0/2.8 SEALED CONN. 248P CAP ASSY



TE Part #2260316-3
0.5/1.0/2.8 SEALED CONN. 248P CAP ASSY



TE Part #1376381-5
XENON HEAD LAMP HARNESS ASSY



TE Part #1746234-5
XENON H/LP HARNESS ASSY L=190



TE Part #5353016-4
040 III HD 105POS CAP ASSY H RND



TE Part #6473773-1
025/375 24POS 20CKT CAP ASSY



Documents

Product Drawings

2.8MM SLD 2P CAP HSG

English

CAD Files

3D PDF

3D

Customer View Model

[ENG_CVM_CVM_936462-2_O.2d_dxf.zip](#)

English

Customer View Model

[ENG_CVM_CVM_936462-2_O.3d_igs.zip](#)

English

Customer View Model

[ENG_CVM_CVM_936462-2_O.3d_stp.zip](#)

English

By downloading the CAD file I accept and agree to the [Terms and Conditions](#) of use.

Product Specifications

2.8MM series

English