

F

E

D

C

B

A

F

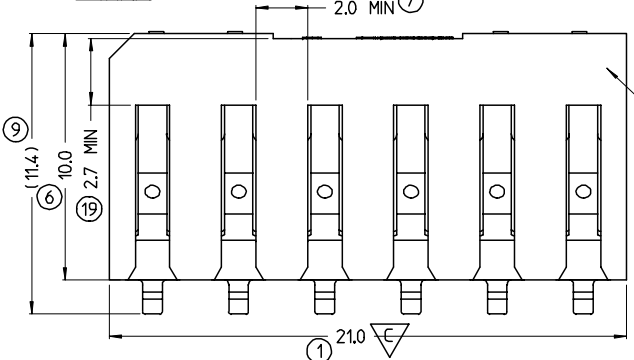
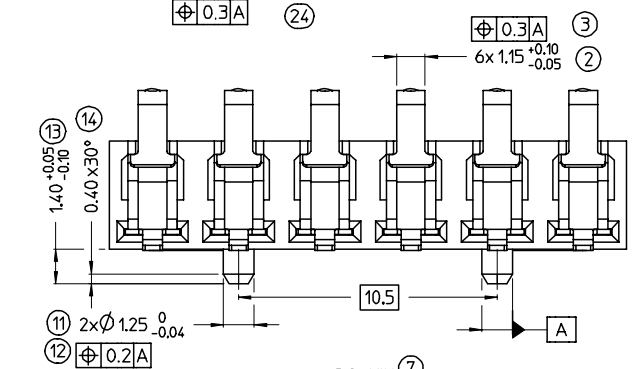
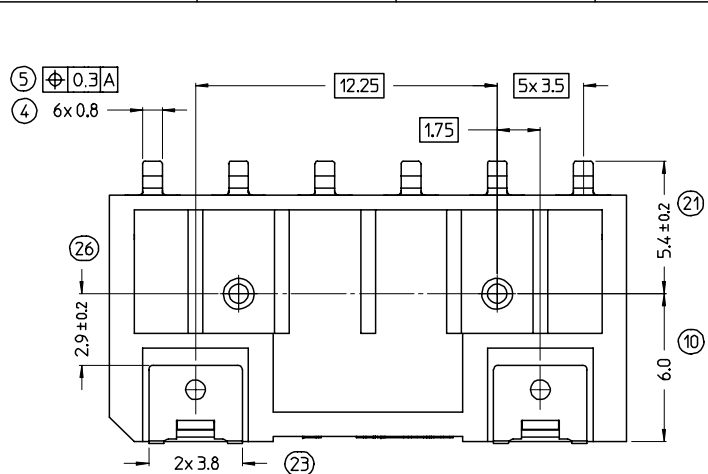
E

D

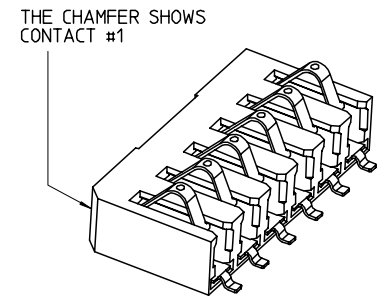
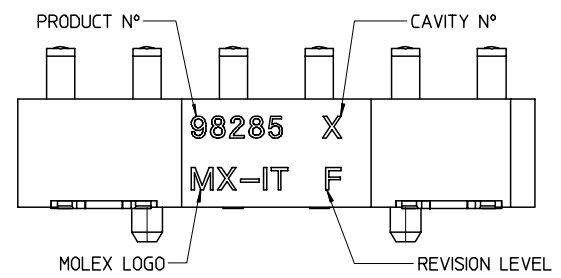
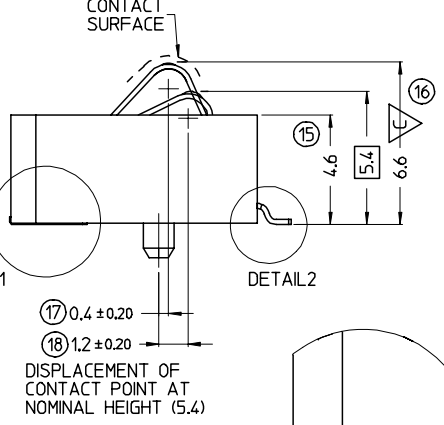
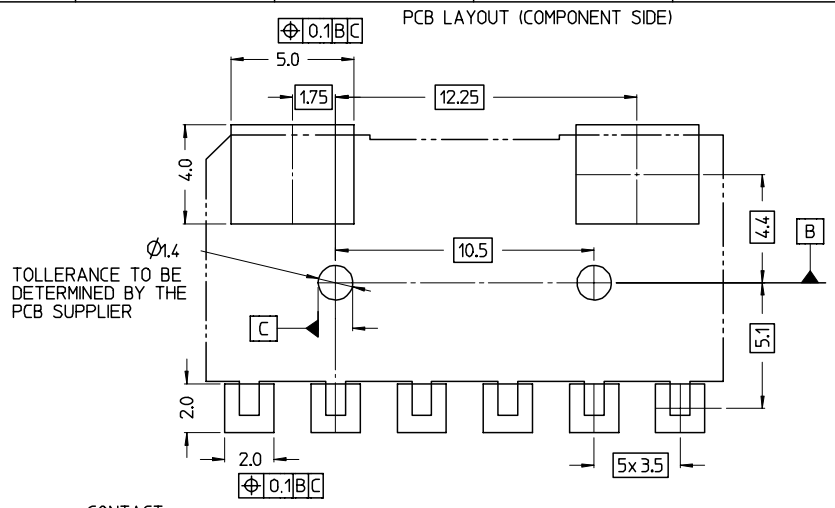
C

B

A



MATERIALS: HOUSING: PA6T 30% G.F. V-0 BLACK  
 CONTACT: PHOSPHOROUS BRONZE (Ph-Bz) 0.20 mm THICK  
 LATCH: BRASS 0.30 mm THICK TIN PRE-PLATED 2-3 μm  
 PLATING: CONTACT AREA: Pd-Ni 1 μm MIN, FLASH Au 0.1 μm OVER Ni 1.27 μm MIN  
 SOLDER AREA: Sn 3-5 μm OVER Ni 1.27 μm MIN  
 PACKAGING: SEE DWG. PK-98285-001  
 COPLANARITY OF SOLDER TAILS: 0.1 mm MAX (8)  
 PRODUCT SPECIFICATION ACCORDING TO PS-98285-001



Std. Descr.: "BATTERY CONN PITCH 3.5 mm 6 CKT (OR 4 CKT)"

EC NO: Z2006-0088 DRWN:RDGOSTI 2005/11/23 CHKD:RSANDANQ2005/11/23 APPR:GZUIN 2005/11/23	QUALITY SYMBOLS	GENERAL TOLERANCES (UNLESS SPECIFIED)	SCALE 5:1	DESIGN UNITS METRIC	FIRST ANGLE PROJECTION	REVISE ON CAD ONLY
	DESCRIPTION	4 PLACES ± --- ± --- 3 PLACES ± --- ± --- 2 PLACES ± 0.05 ± --- 1 PLACE ± 0.15 ± --- ANGULAR ± ---°	MM INCH	DIMENSION STYLE MM ONLY	TITLE	
REV		DRAFT WHERE APPLICABLE	DRAWN BY	DATE	6 OR 4 CKT LOADED BATTERY CONNECTOR PITCH 3.5 MM	
		MUST REMAIN WITHIN DIMENSIONS	CHECKED BY	DATE	MOLEX INCORPORATED	
			APPROVED BY	DATE	MATERIAL NO.	DOCUMENT NO.
					SEE TABLE	SD-98285-001
					SHEET NO.	1 OF 1

GENERAL TOLERANCES (UNLESS SPECIFIED)

4 PLACES	± ---	± ---
3 PLACES	± ---	± ---
2 PLACES	± 0.05	± ---
1 PLACE	± 0.15	± ---
ANGULAR ± ---°		

DRAFT WHERE APPLICABLE

MUST REMAIN WITHIN DIMENSIONS

SCALE 5:1

DESIGN UNITS METRIC

DIMENSION STYLE MM ONLY

DRAWN BY

DATE

CHECKED BY

DATE

APPROVED BY

DATE

FIRST ANGLE PROJECTION

REVISE ON CAD ONLY

TITLE

6 OR 4 CKT LOADED BATTERY CONNECTOR PITCH 3.5 MM

MOLEX INCORPORATED

MATERIAL NO. SEE TABLE

DOCUMENT NO. SD-98285-001

SHEET NO. 1 OF 1

MTL.NO.	CONTACT					
	1	2	3	4	5	6
98285-1000	X	X	X	X	X	X
98285-2000	X	X	X	X	X	