



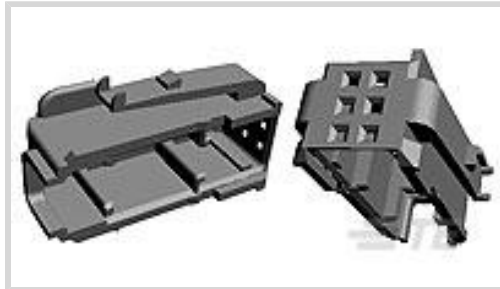
**MQS**

TE Internal #: 953382-2

Automotive Connector Caps & Covers, Cover - Cable Exit, Cable Exit Angle 180° (In-Line), White, PBT GF, Wire-to-Board / Wire-to-Device, MQS

[View on TE.com >](#)

Connectors > Automotive Connectors > Connector Accessories > Connector Caps & Covers



Protection & Strain Relief Accessory Type: **Cover - Cable Exit**

Cable Exit Angle: **180° (In-Line)**

Strain Relief: **With**

Primary Product Color: **White**

Primary Product Material: **PBT GF**

**Features**

**Product Type Features**

Protection & Strain Relief Accessory Type	Cover - Cable Exit
Connector System	Wire-to-Board, Wire-to-Device

**Body Features**

Cable Exit Angle	180° (In-Line)
Primary Product Color	White
Primary Product Material	PBT GF

**Mechanical Attachment**

Strain Relief	With
---------------	------

**Dimensions**

Compatible Cable Bundle Diameter Range	5 mm[.197 in]
--	---------------

**Usage Conditions**

Operating Temperature (Max)	70 °C, 75 °C, 80 °C, 85 °C, 90 °C, 100 °C [158 °F][167 °F][176 °F][185 °F][194 °F][212 °F]
Operating Temperature Range	-40 – 100 °C[-40 – 212 °F]

**Industry Standards**

UL Flammability Rating	UL 94HB
------------------------	---------

**Packaging Features**

--	--



Packaging Method	Box
------------------	-----

**Other**

Serviceable	Yes
-------------	-----

**Product Compliance**

[For compliance documentation, visit the product page on TE.com>](#)

EU RoHS Directive 2011/65/EU	Compliant
EU ELV Directive 2000/53/EC	Compliant
China RoHS 2 Directive MIIT Order No 32, 2016	No Restricted Materials Above Threshold
EU REACH Regulation (EC) No. 1907/2006	Current ECHA Candidate List: JUNE 2022 (224) Candidate List Declared Against: JUNE 2022 (224) Does not contain REACH SVHC
Halogen Content	Low Halogen - Br, Cl, F, I < 900 ppm per homogenous material. Also BFR/CFR/PVC Free
Solder Process Capability	Not reviewed for solder process capability

**Product Compliance Disclaimer**

This information is provided based on reasonable inquiry of our suppliers and represents our current actual knowledge based on the information they provided. This information is subject to change. The part numbers that TE has identified as EU RoHS compliant have a maximum concentration of 0.1% by weight in homogenous materials for lead, hexavalent chromium, mercury, PBB, PBDE, DBP, BBP, DEHP, DIBP, and 0.01% for cadmium, or qualify for an exemption to these limits as defined in the Annexes of Directive 2011/65/EU (RoHS2). Finished electrical and electronic equipment products will be CE marked as required by Directive 2011/65/EU. Components may not be CE marked. Additionally, the part numbers that TE has identified as EU ELV compliant have a maximum concentration of 0.1% by weight in homogenous materials for lead, hexavalent chromium, and mercury, and 0.01% for cadmium, or qualify for an exemption to these limits as defined in the Annexes of Directive 2000/53/EC (ELV). Regarding the REACH Regulation, the information TE provides on SVHC in articles for this part number is based on the latest European Chemicals Agency (ECHA) 'Guidance on requirements for substances in articles' posted at this URL: <https://echa.europa.eu/guidance-documents/guidance-on-reach>

**Compatible Parts**



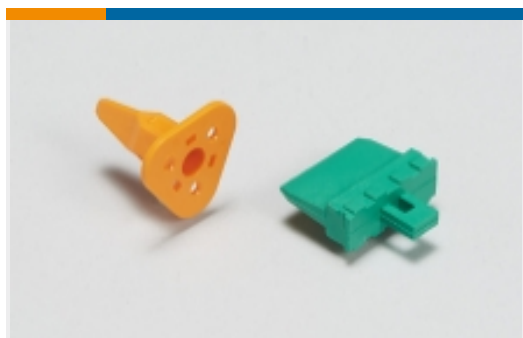
**Also in the Series | MQS**



Automotive Connector Caps & Covers (132)



Automotive Connector EMC Shielding (2)



Automotive Connector Locks & Position Assurance(29)



Automotive Housings(489)



Automotive Seals & Cavity Plugs(26)



Automotive Terminals(96)



Insertion & Extraction Tools(42)



Other Automotive Connector Accessories(13)

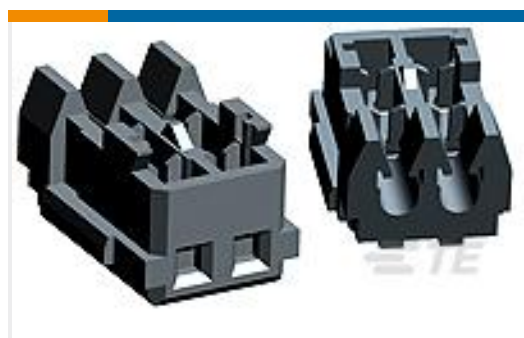


PCB Headers & Receptacles(207)

## Customers Also Bought



TE Part #2-353293-0  
MINI CT MT REC ASSY 20P GRAY



TE Part #1-353293-4  
MINI CT MT REC ASSY 14P GRAY



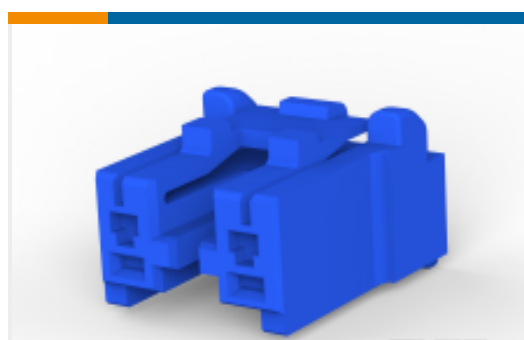
TE Part #953381-1  
LOCKING DEVICE FOR 6W MQS



TE Part #172520-7  
7P 2.5MM MINI AMP-IN HDR HSG



TE Part #176288-1  
UNIV POWER CAP HSG 10P F/H



TE Part #1747050-3  
GIC7.92 2POS PLUG HSG.BLUE



TE Part #176271-6  
AMP UNIVERSAL POWER PLUG 2P



TE Part #1418779-1  
6POS MQS REC COD A

## Documents



### Product Drawings

#### COVER FOR 6W HSG MQS GEN2

English

---

### CAD Files

#### Customer View Model

[ENG\\_CVM\\_953382-2\\_A.3d\\_igs.zip](#)

English

#### Customer View Model

[ENG\\_CVM\\_953382-2\\_A.3d\\_stp.zip](#)

English

#### Customer View Model

[ENG\\_CVM\\_953382-2\\_A.2d\\_dxf.zip](#)

English

### 3D PDF

English

By downloading the CAD file I accept and agree to the [Terms and Conditions](#) of use.

---

### Product Specifications

#### Product Specification

English

---

### Product Environmental Compliance

#### TE Material Declaration

English

---

### Instruction Sheets

#### 6 VOIES MQS GENE II

English

#### Instruction Sheet (non U.S.)

English