

4

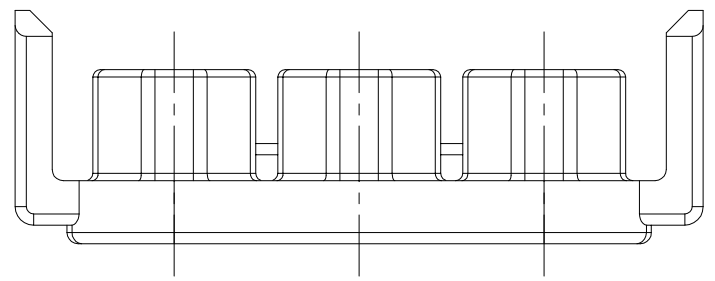
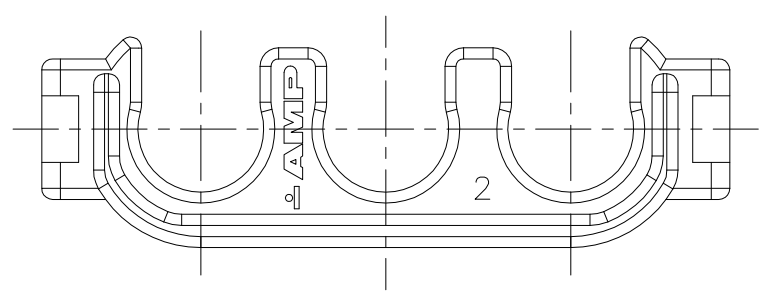
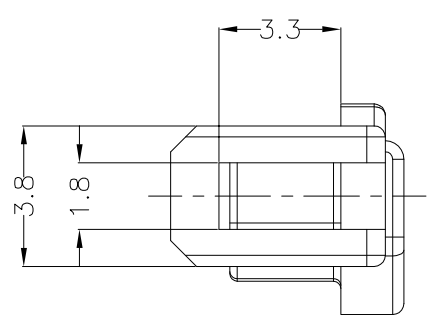
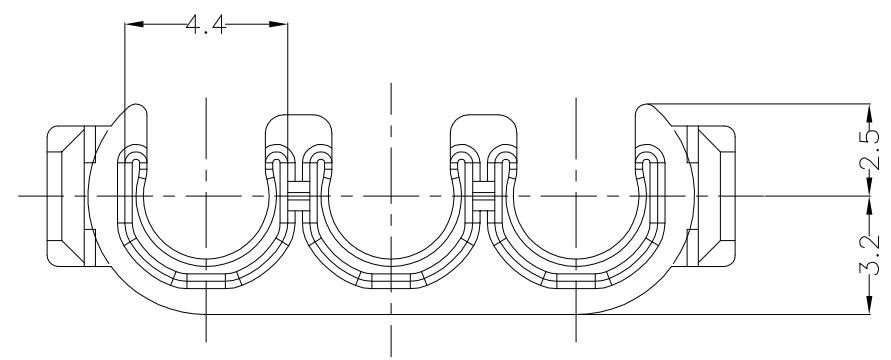
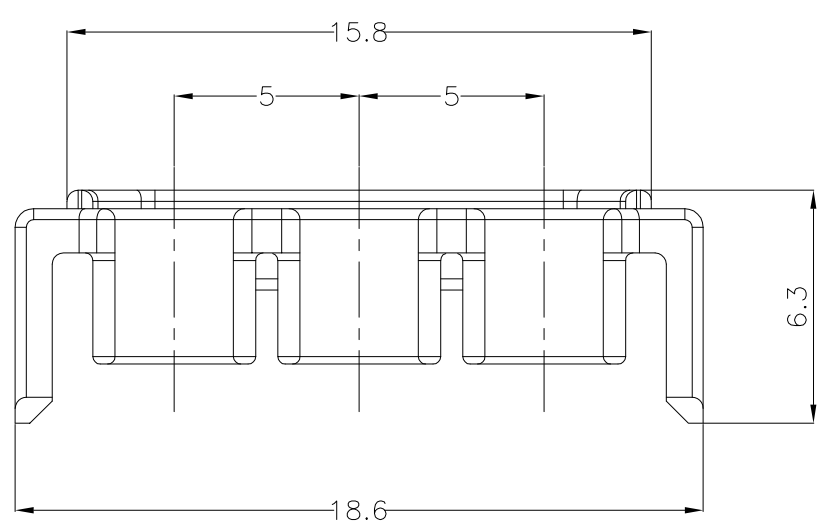
3

2

1

THIS DRAWING IS UNPUBLISHED. RELEASED FOR PUBLICATION .19
 © COPYRIGHT 19 BY AMP INCORPORATED. ALL RIGHTS RESERVED.

REVISIONS					
P	LTR	DESCRIPTION	DATE	DWN	APVD
	O	RELEASED(FC00-0109-01)	11,OCT,01	HS	CS
	A	REVISED (ECR-15-010973)	23.JUL.'15	JM	HG



NOTE

① 1. APPLICABLE PLUG HSG P/N : 936060, 936061

NO.	PART NO.	MATERIAL	COLOR
③	0-936106-3	PBT	GRAY
②	0-936106-2	PBT	BLACK
1	0-936106-1	PBT	YELLOW

THIS DRAWING IS A CONTROLLED DOCUMENT FOR AMP INCORPORATED. IT IS SUBJECT TO CHANGE AND THE CONTROLLING ENGINEERING ORGANIZATION SHOULD BE CONTACTED FOR THE LATEST REVISION.		DWN JM JEON			
DIMENSIONS: MM		CHK JW JUNG			
TOLERANCES UNLESS OTHERWISE SPECIFIED: 0 <XX<10 ± 0.2 10<XX<30 ± 0.25 30<XX ± 0.3 ANGLES ± 3°		APVD HG CHO	NAME		
3rd ANGLE PROJECTION		PRODUCT SPEC	DBL HOUSING FOR 2.8mm SEALED 3P PLUG ASS'Y		
MATERIAL SEE TABLE		APPLICATION SPEC	SIZE	CAGE CODE	DRAWING NO
FINISH		WEIGHT	A3	00779	©- 936106
			SCALE	SHEET	REV
			5/1	1 OF 1	A