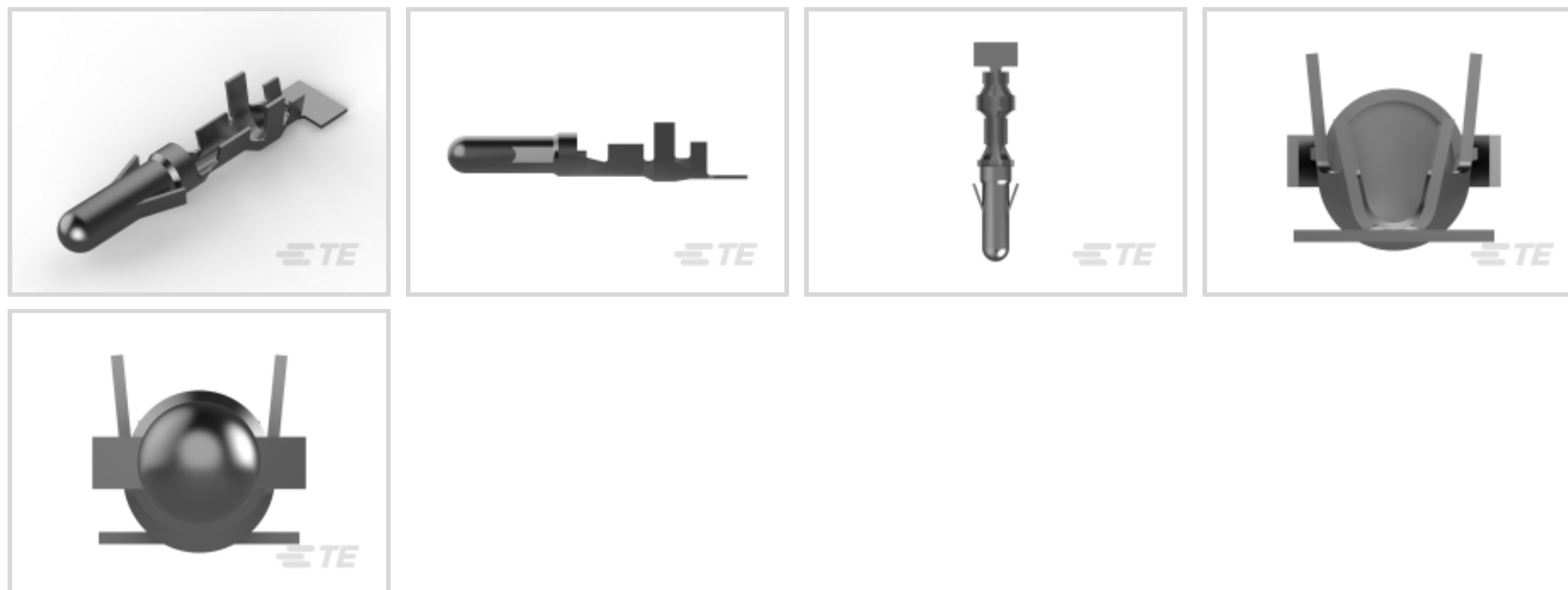




Connectors > Power Connectors > Power Contacts



Power Contact Type: **Contact**

Operating Voltage: **250 VAC**

Contact Mating Area Plating Material: **Pre-Tin**

Wire Size: **.52 – 1.65 mm²**

Features

Product Type Features

Power Contact Type	Contact
Connector System	Wire-to-Wire
Connector & Contact Terminates To	Wire & Cable

Electrical Characteristics

Operating Voltage	250 VAC
-------------------	---------

Contact Features

Contact Mating Area Plating Material	Pre-Tin
Contact Current Rating (Max)	17 A
Contact Type	Pin
Contact Retention Within Housing	With
Mating Pin Diameter	3.56 mm [.14 in]
Contact Base Material	Brass
Wire Contact Termination Area Plating Material	Pre-Tin
Wire Contact Termination Area Plating Material Finish	Matte
Contact Orientation	Straight



Termination Features

Termination Method to Wire & Cable	Crimp
------------------------------------	-------

Mechanical Attachment

Contact Retention Type Within Housing	Locking Lance
Connector Mounting Type	Cable Mount (Free-Hanging)
Wire Insulation Support	Without

Dimensions

Wire Size	.52 – 1.65 mm ²
Accepts Wire Insulation Diameter Range	1.02 – 2.4 mm [.047 – .094 in]

Usage Conditions

Operating Temperature Range	-55 – 105 °C [-67 – 221 °F]
-----------------------------	-----------------------------

Operation/Application

Circuit Application	Power
---------------------	-------

Industry Standards

Glow Wire Rating	Standard Part - Not Glow Wire
------------------	-------------------------------

Packaging Features

Packaging Method	Carton
Packaging Quantity	2500

Other

Wire/Cable Type	Discrete Wire
-----------------	---------------

Product Compliance

[For compliance documentation, visit the product page on TE.com>](#)

EU RoHS Directive 2011/65/EU	Compliant
EU ELV Directive 2000/53/EC	Compliant
China RoHS 2 Directive MIIT Order No 32, 2016	No Restricted Materials Above Threshold
EU REACH Regulation (EC) No. 1907/2006	Current ECHA Candidate List: JUNE 2022 (224) Candidate List Declared Against: JAN 2022 (223) SVHC > Threshold: Not Yet Reviewed
Halogen Content	Low Halogen - Br, Cl, F, I < 900 ppm per

homogenous material. Also BFR/CFR/PVC Free

Solder Process Capability

Not applicable for solder process capability

Product Compliance Disclaimer

This information is provided based on reasonable inquiry of our suppliers and represents our current actual knowledge based on the information they provided. This information is subject to change. The part numbers that TE has identified as EU RoHS compliant have a maximum concentration of 0.1% by weight in homogenous materials for lead, hexavalent chromium, mercury, PBB, PBDE, DBP, BBP, DEHP, DIBP, and 0.01% for cadmium, or qualify for an exemption to these limits as defined in the Annexes of Directive 2011/65/EU (RoHS2). Finished electrical and electronic equipment products will be CE marked as required by Directive 2011/65/EU. Components may not be CE marked. Additionally, the part numbers that TE has identified as EU ELV compliant have a maximum concentration of 0.1% by weight in homogenous materials for lead, hexavalent chromium, and mercury, and 0.01% for cadmium, or qualify for an exemption to these limits as defined in the Annexes of Directive 2000/53/EC (ELV). Regarding the REACH Regulation, the information TE provides on SVHC in articles for this part number is based on the latest European Chemicals Agency (ECHA) 'Guidance on requirements for substances in articles' posted at this URL: <https://echa.europa.eu/guidance-documents/guidance-on-reach>

Compatible Parts



TE Part # 1-480586-0
09P .140 MNL CAP NAT



TE Part # 1-350347-0
03P .140 MNL CAP PM NAT



TE Part # 880125
9 CIR CAP 140DIA PANEL MT NAT



TE Part # 1-480673-0
09P .140 MNL CAP PM NAT



TE Part # 1-350345-0
02P .140 MNL CAP P/M NAT



TE Part # 2305570-1
TERMINAL CUTTER, SIDE FEED



TE Part # 1-480512-0
04P .140 MNL CAP NAT



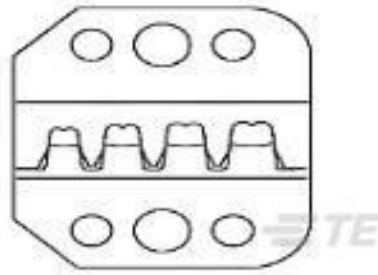
TE Part # 794683-1
09P .140 MNL CAP BLK HT



TE Part # 539764-1
EXTRACTION TOOL



TE Part # 925450-1
M-N-L PIN HSG



TE Part # 1752938-2
SDE DIE SET 3.5 MM MNL



TE Part # 2-2151475-1
OCEAN_2.0_Applicator-S-100F110F




TE Part # 2-2151475-2
OCEAN_2.0_Applicator-S-100F110F



TE Part # 2151475-1
OCEAN_2.0_Applicator-S-100F110F



TE Part # 2151475-2
OCEAN_2.0_Applicator-S-100F110F



TE Part # 7-2151475-1
OCEAN_2.0_Applicator-S-100F110F



TE Part # 7-2151475-2
OCEAN_2.0_Applicator-S-100F110F




KIT
REPRESENTATION ONLY

TE Part # 7-2151475-7
OCEAN_2.0_SPARE_PART_KIT-100F110F



TE Part # 794061-1
03P .140 MNL CAP BLK HT


Also in the Series | Commercial MATE-N-LOK



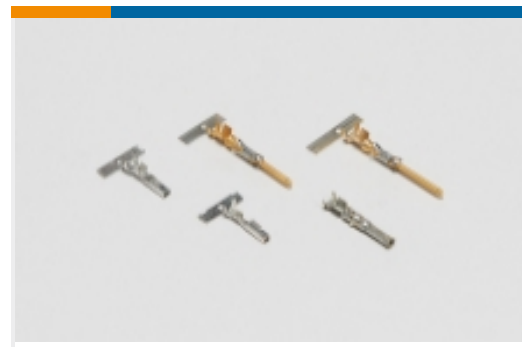
Connector Contacts(26)




Crimp Wire Pins, Tabs & Ferrules(3)




Insertion & Extraction Tools(5)



Power Contacts(129)




Rectangular Caps & Covers(2)




Rectangular Connector Housings(17)



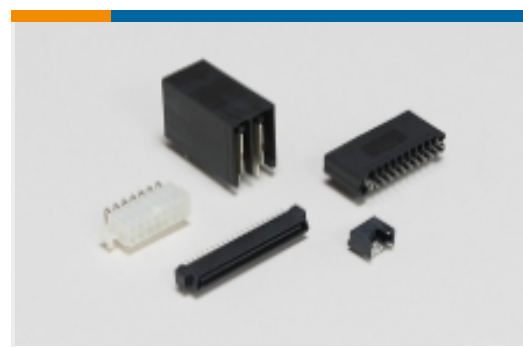
Rectangular Connector Seals(1)




Rectangular Power Connectors(170)



Standard Circular Connectors(4)



Standard Rectangular Connectors(10)

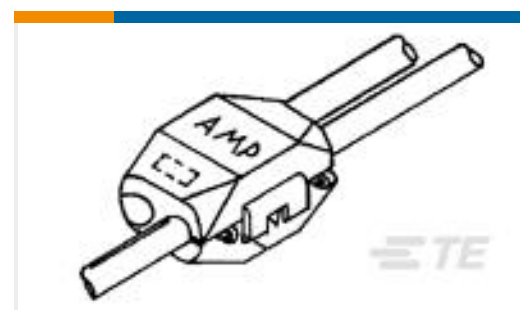


Wire-to-Board Connector Contacts(1)

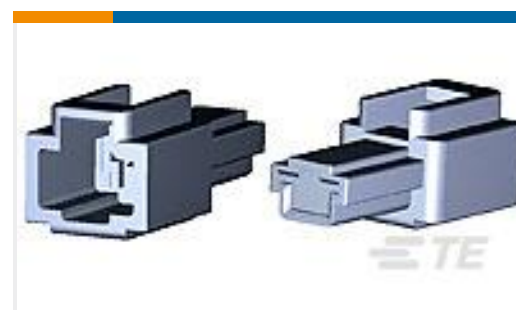
Customers Also Bought



TE Part #1625971-5
HSA25 10R 5%



TE Part #626437-1
ELECTRO TAP ASSY



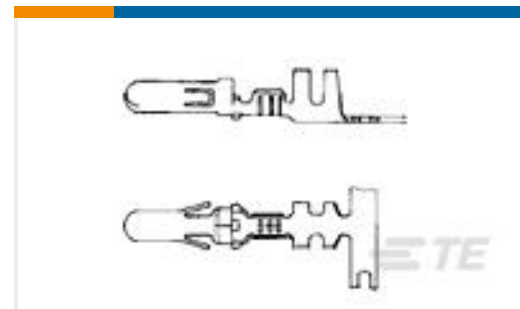
TE Part #172127-1
FF 250 PLUG HSG 1P NYLON NAT



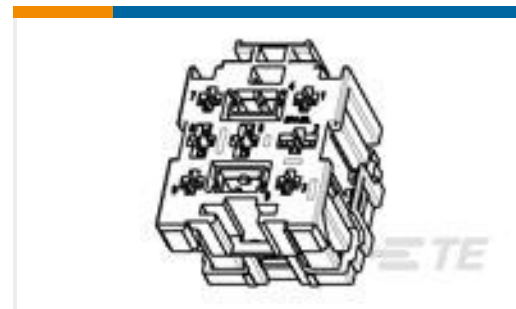
TE Part #880687-2
.140 DIA SOCKET



TE Part #170341-3
FF 250 TAB 14-12AWG TPBR
WITHOUT LATCH



TE Part #925713-1
M-N-L PIN TPBR



TE Part #444020-1
9P HSG ASS'Y JR/STD



TE Part #444442-2
RELAY ADAPTOR



TE Part #880310-1
2 WAY FF 250 HOUSING TAB NYLON
6.6 NAT



TE Part #626094-2
FF .250 REC 0.5 / 1.0 MM2 0.32X19.3
TPBR

Documents

Product Drawings

MNL STIFT 3,5 MM

English

CAD Files

3D PDF

English

Customer View Model

[ENG_CVM_926988-1_A1.2d_dxf.zip](#)

English

Customer View Model

[ENG_CVM_926988-1_A1.3d_igs.zip](#)

English

Customer View Model

[ENG_CVM_926988-1_A1.3d_stp.zip](#)

English

By downloading the CAD file I accept and agree to the [Terms and Conditions](#) of use.

Product Specifications



Product Specification

English