

928039-1 ✓ ACTIVE

AMPMODU

TE Internal #: 928039-1

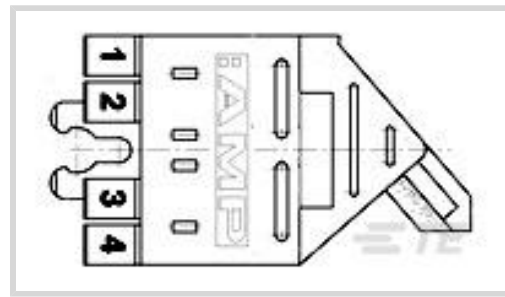
PCB Connector Covers, Cover Kit, 21 Position, PBTP GV, Standard

Product Profile, Polarizing, -40 – 85 °C [-40 – 185 °F]

[View on TE.com >](#)



Connectors > PCB Connectors > PCB Connector Accessories > Protection & Strain Relief > PCB Connector Covers



Protection & Strain Relief Accessory Type: **Cover Kit**

Number of Positions: **21**

Primary Product Material: **PBTP GV**

Product Profile: **Standard**

Connector Cover Type: **Polarizing**

Features

Product Type Features

Protection & Strain Relief Accessory Type	Cover Kit
Product Profile	Standard
Connector Cover Type	Polarizing

Configuration Features

Number of Positions	21
---------------------	----

Body Features

Connector Cover Side	One Piece
Primary Product Material	PBTP GV

Usage Conditions

Operating Temperature Range	-40 – 85 °C[-40 – 185 °F]
-----------------------------	---------------------------

Product Compliance

[For compliance documentation, visit the product page on TE.com>](#)

EU RoHS Directive 2011/65/EU	Compliant
EU ELV Directive 2000/53/EC	Compliant
China RoHS 2 Directive MIIT Order No 32, 2016	No Restricted Materials Above Threshold
EU REACH Regulation (EC) No. 1907/2006	Current ECHA Candidate List: JUNE 2022 (224) Candidate List Declared Against: JUL 2021 (219)

SVHC > Threshold:
Not Yet Reviewed

Halogen Content

Low Halogen - Br, Cl, F, I < 900 ppm per homogenous material. Also BFR/CFR/PVC Free

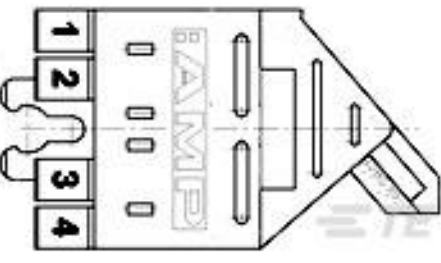
Solder Process Capability

Not applicable for solder process capability

Product Compliance Disclaimer

This information is provided based on reasonable inquiry of our suppliers and represents our current actual knowledge based on the information they provided. This information is subject to change. The part numbers that TE has identified as EU RoHS compliant have a maximum concentration of 0.1% by weight in homogenous materials for lead, hexavalent chromium, mercury, PBB, PBDE, DBP, BBP, DEHP, DIBP, and 0.01% for cadmium, or qualify for an exemption to these limits as defined in the Annexes of Directive 2011/65/EU (RoHS2). Finished electrical and electronic equipment products will be CE marked as required by Directive 2011/65/EU. Components may not be CE marked. Additionally, the part numbers that TE has identified as EU ELV compliant have a maximum concentration of 0.1% by weight in homogenous materials for lead, hexavalent chromium, and mercury, and 0.01% for cadmium, or qualify for an exemption to these limits as defined in the Annexes of Directive 2000/53/EC (ELV). Regarding the REACH Regulation, the information TE provides on SVHC in articles for this part number is based on the latest European Chemicals Agency (ECHA) 'Guidance on requirements for substances in articles' posted at this URL: <https://echa.europa.eu/guidance-documents/guidance-on-reach>

Compatible Parts

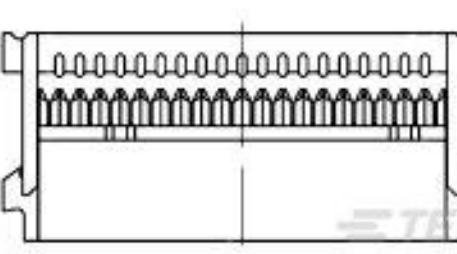


TE Part # 928039-2
DECKEL F 3X7P BU-GH

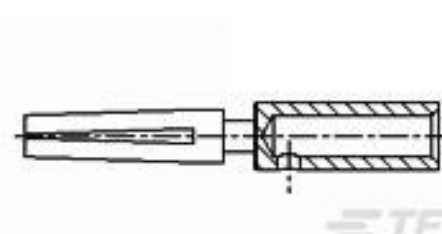
Customers Also Bought



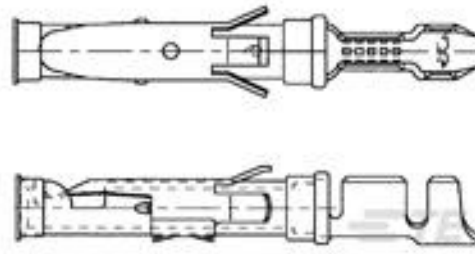
TE Part #1-87631-2
16 MODIV HSG DR MRKD .100 POL



TE Part #1-1658526-5
609-2630LF FEM SOCKET, LEAD FREE



TE Part #5-1437720-7
T01-CRIMP-S05=TRIAD



TE Part #163083-7
.062 DIA SOC.ASS 3+



Documents

Product Drawings

[DECKEL F 3X7P BU-GH](#)

English

CAD Files

[3D PDF](#)

3D

Customer View Model

[ENG_CVM_CVM_928039-1_A.2d_dxf.zip](#)

English

Customer View Model

[ENG_CVM_CVM_928039-1_A.3d_igs.zip](#)

English

Customer View Model

[ENG_CVM_CVM_928039-1_A.3d_stp.zip](#)

English

By downloading the CAD file I accept and agree to the [Terms and Conditions](#) of use.

Product Specifications

[Application Specification](#)

English