



**MAG-MATE**

TE Internal #: 926850-2

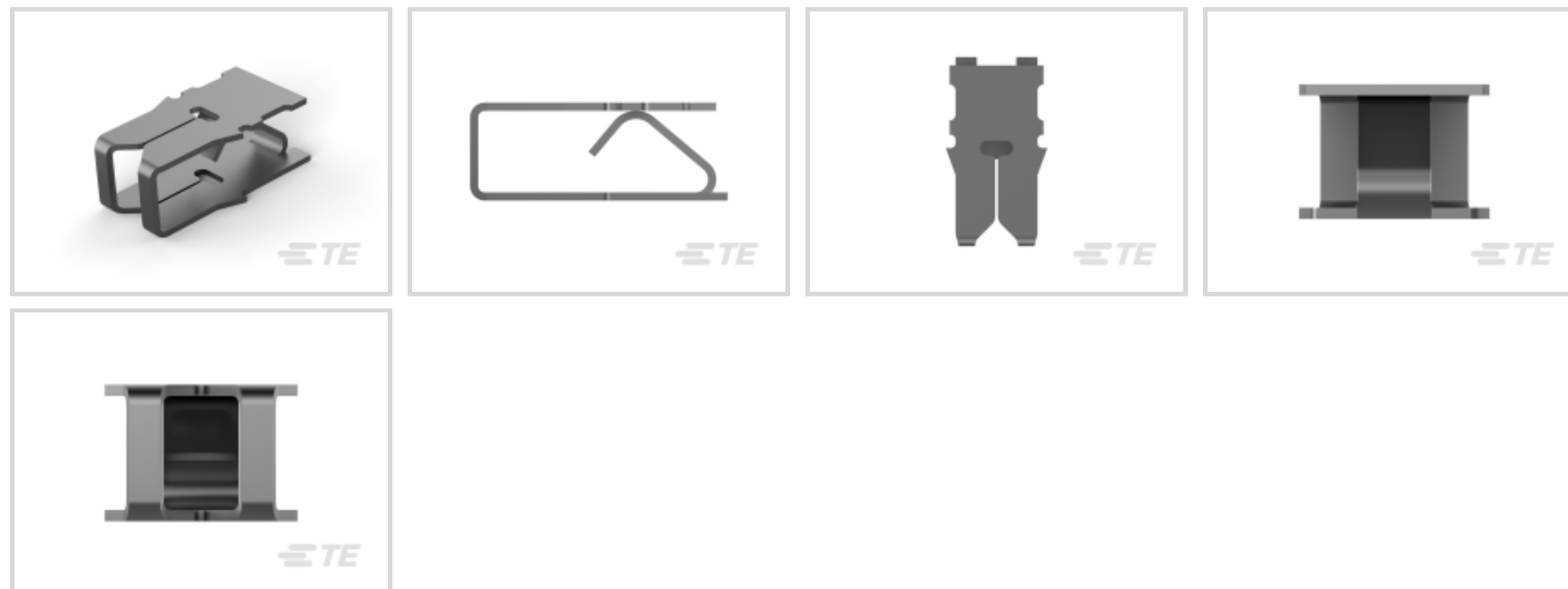
Magnet Wire Terminals, Leaf, Mating Tab Width .134 in [3.4 mm],

Size 2, .18 – .27 mm Magnet Wire, 33 – 31 AWG Magnet Wire,

MAG-MATE

[View on TE.com >](#)

Terminals & Splices > Magnet Wire Terminals



Magnet Wire Terminal Type: **Leaf**

Mating Tab Width: **3.4 mm [ .134 in ]**

Mating Tab Thickness: **.5 mm [ .02 in ]**

Compatible With Cavity Size: **Size 2**

Magnet Wire Size: **.18 – .27 mm**

**Features**

**Product Type Features**

Compatible With Discrete Wire Type	Magnet Wire, Solid
------------------------------------	--------------------

**Body Features**

Compatible With Cavity Size	Size 2
-----------------------------	--------

**Contact Features**

Magnet Wire Terminal Type	Leaf
Mating Tab Width	3.4 mm[.134 in]
Mating Tab Thickness	.5 mm[.02 in]
Terminal Plating Material	Tin
Terminal Orientation	Twisted

**Termination Features**

Termination Method to Wire & Cable	Insulation Displacement (IDC)
------------------------------------	-------------------------------

**Dimensions**

Terminal Height	7.6 mm[.3 in]
-----------------	---------------



Magnet Wire Size	33 – 31 AWG
Stock Thickness (Magnet Wire Side)	.25 mm[.01 in]
Overall Product Length	7.9 mm[.311 in]

### Usage Conditions

Insulation Option	Uninsulated
Operating Temperature Range	-65 – 150 °C[-85 – 302 °F]

### Operation/Application

Compatible With Wire Base Material	Copper
------------------------------------	--------

### Identification Marking

Identification Number	4
-----------------------	---

### Packaging Features

Packaging Quantity	15000
Packaging Method	Reel, Reel/Carton

### Other

Comment	Two magnet wires may be terminated in same terminal if diameters are equal (max. diameter .55mm), Two magnet wires may be terminated in same terminal if diameters are equal (max. diameter 0.55 mm)
---------	--

## Product Compliance

[For compliance documentation, visit the product page on TE.com>](#)

EU RoHS Directive 2011/65/EU	Compliant
EU ELV Directive 2000/53/EC	Compliant
China RoHS 2 Directive MIIT Order No 32, 2016	No Restricted Materials Above Threshold
EU REACH Regulation (EC) No. 1907/2006	Current ECHA Candidate List: JUNE 2022 (224) Candidate List Declared Against: JUL 2021 (219) SVHC > Threshold: Not Yet Reviewed
Halogen Content	Low Halogen - Br, Cl, F, I < 900 ppm per homogenous material. Also BFR/CFR/PVC Free
Solder Process Capability	Not applicable for solder process capability

Product Compliance Disclaimer

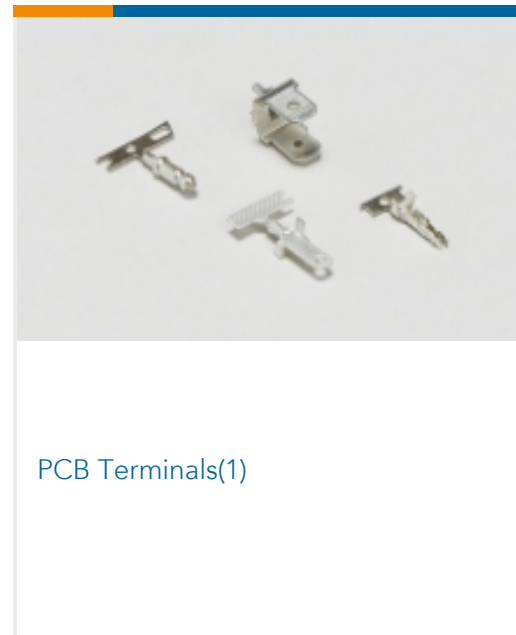
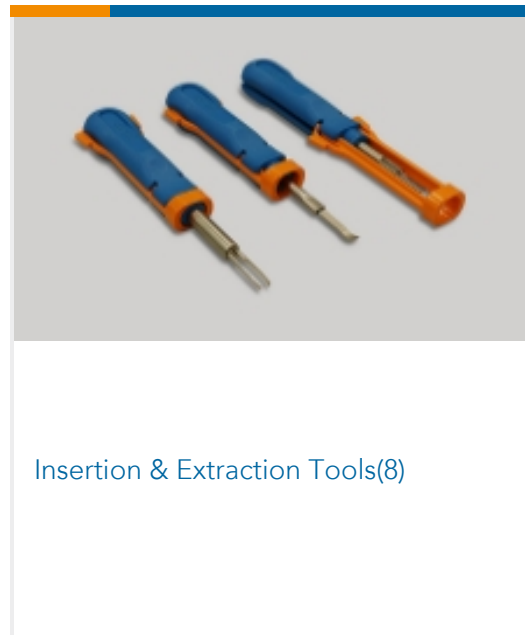
This information is provided based on reasonable inquiry of our suppliers and represents our current actual knowledge based on the information they provided. This information is subject to change. The part numbers that TE has identified as EU RoHS compliant have a maximum concentration of 0.1% by weight in homogenous materials for lead, hexavalent chromium, mercury, PBB, PBDE, DBP, BBP, DEHP, DIBP, and 0.01% for cadmium, or qualify for an exemption to these limits as defined in the Annexes of Directive 2011/65/EU (RoHS2). Finished electrical and electronic equipment products will be CE marked as required by Directive 2011/65/EU. Components may not be CE marked. Additionally, the part numbers that TE has identified as EU ELV compliant have a maximum concentration of 0.1% by weight in homogenous materials for lead, hexavalent chromium, and mercury, and 0.01% for cadmium, or qualify for an exemption to these limits as defined in the Annexes of Directive 2000/53/EC (ELV). Regarding the REACH Regulation, the information TE provides on SVHC in articles for this part number is based on the latest European Chemicals Agency (ECHA) 'Guidance on requirements for substances in articles' posted at this URL: <https://echa.europa.eu/guidance-documents/guidance-on-reach>

## Compatible Parts

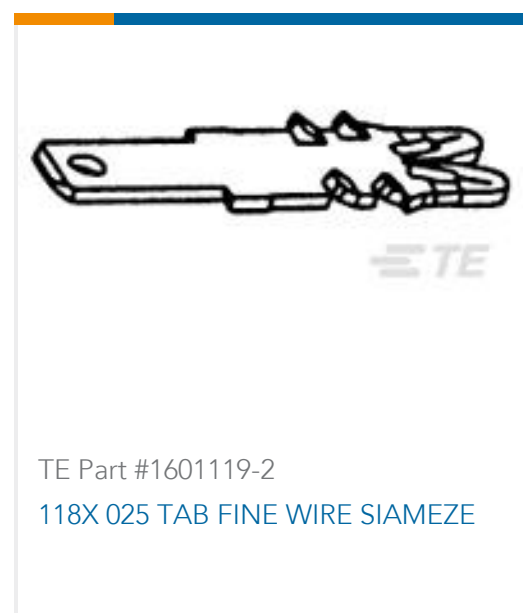
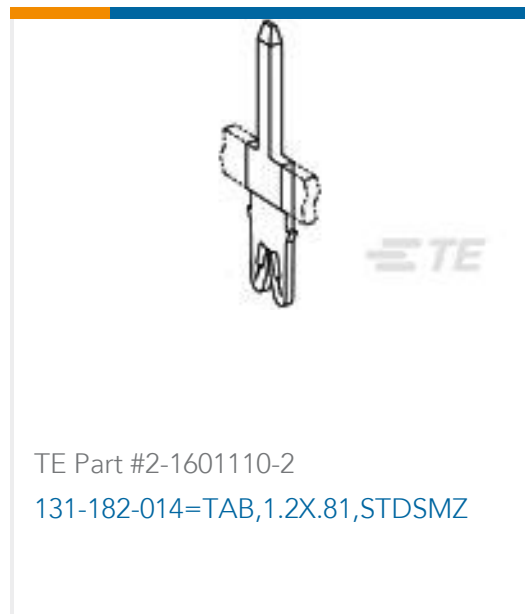
 <p>TE Part # 926852-2 MAG MATE LEAF KONT</p>	 <p>TE Part # 62781-3 TERM MAG-MATE MINI 42-52 TPBR</p>	 <p>TE Part # 926851-2 MAG MATE LEAF KONT</p>	 <p>TE Part # 928770-2 MAG-MATE LEAF CONT.</p>
 <p>TE Part # 964339-2 MAG MATE KONT. MKII</p>	 <p>TE Part # 1394759-1 MAG MATE CONT.MKII</p>	 <p>TE Part # 964339-1 MAG MATE KONT. MKII</p>	 <p>TE Part # 926850-1 MAG MATE LEAF KONT</p>
 <p>TE Part # 926851-4 MAG-MATE LEAF KONT</p>	 <p>TE Part # 926851-1 MAG MATE LEAF KONT</p>	 <p>TE Part # 1740149-3 MAG MATE LEAF TERMINAL MKII</p>	 <p>TE Part # 2-926850-1 MAG MATE LEAF KONT</p>
 <p>TE Part # 2-964338-2 MAG MATE CONTACT MK II</p>	 <p>TE Part # 2-964338-7 MAG MATE CONTACT MK II</p>	 <p>TE Part # 2-964339-2 MAG MATE CONTACT MK II</p>	 <p>TE Part # 2-964340-2 MAG MATE CONTACT MK II</p>



Also in the Series | **MAG-MATE**



Customers Also Bought





## Documents

### CAD Files

#### 3D PDF

3D

Customer View Model

[ENG\\_CVM\\_CVM\\_926850-2\\_W.2d\\_dxf.zip](#)

English

Customer View Model

[ENG\\_CVM\\_CVM\\_926850-2\\_W.3d\\_igs.zip](#)

English

Customer View Model

[ENG\\_CVM\\_CVM\\_926850-2\\_W.3d\\_stp.zip](#)

English

By downloading the CAD file I accept and agree to the [Terms and Conditions](#) of use.

### Product Specifications

#### Application Specification

English

### Product Environmental Compliance

#### TE Material Declaration

English