



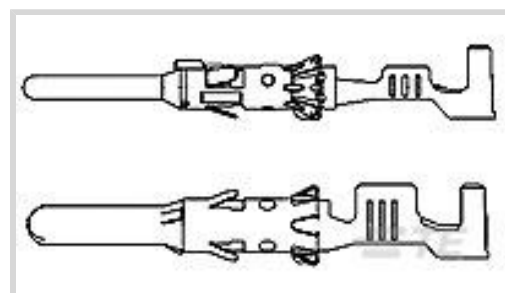
AMP

TE Internal #: 965839-1

Automotive Terminals, Pin, Pin Diameter .157 in [4 mm], 17 – 13 AWG Wire Size, 1 – 2.5 mm² Wire Size, Sealable, Single Wire Seal (SWS)

[View on TE.com >](#)

Terminals & Splices > Automotive Terminals



Terminal Type: Pin

Mating Pin Diameter: 4 mm [.157 in]

Terminal Transmits: 25 – 40 A (Power)

Wire Size: 1 – 2.5 mm²

Features

Product Type Features

Sealable	Yes
Primary Locking Feature	Locking Lance

Body Features

Terminal Seal Type	Single Wire Seal (SWS)
--------------------	------------------------

Contact Features

Contact Size	4mm
Contact Fabrication	Stamped & Formed
Crimp Type	F-Crimp
Terminal Type	Pin
Mating Pin Diameter	4 mm [.157 in]

Termination Features

Termination Method to Wire & Cable	Crimp
Product Terminates To	Wire

Dimensions

Wire Size	1 – 2.5 mm ²
Wire Size Search	13 AWG, 14 AWG, 15 AWG, 16 AWG, 17 AWG

Usage Conditions

Insulation Option	Uninsulated
-------------------	-------------



Operating Temperature (Max)	80 °C, 85 °C, 90 °C, 100 °C, 105 °C, 110 °C, 120 °C, 125 °C, 130 °C [176 °F][185 °F][194 °F][212 °F][221 °F][230 °F][248 °F][257 °F][266 °F]
-----------------------------	--

Operating Temperature Range	-40 – 130 °C [-40 – 266 °F]
-----------------------------	-----------------------------

Operation/Application

Compatible With Wire Base Material	Copper
------------------------------------	--------

Packaging Features

Packaging Method	Reel
------------------	------

Packaging Quantity	1000
--------------------	------

Other

Terminal Transmits	25 – 40 A (Power)
--------------------	-------------------

Product Compliance

[For compliance documentation, visit the product page on TE.com>](#)

EU RoHS Directive 2011/65/EU	Compliant
------------------------------	-----------

EU ELV Directive 2000/53/EC	Compliant
-----------------------------	-----------

China RoHS 2 Directive MIIT Order No 32, 2016	No Restricted Materials Above Threshold
---	---

EU REACH Regulation (EC) No. 1907/2006	Current ECHA Candidate List: JUNE 2022 (224) Candidate List Declared Against: JAN 2022 (223) SVHC > Threshold: Not Yet Reviewed
--	--

Halogen Content	Low Halogen - Br, Cl, F, I < 900 ppm per homogenous material. Also BFR/CFR/PVC Free
-----------------	---

Solder Process Capability	Not applicable for solder process capability
---------------------------	--

Product Compliance Disclaimer

This information is provided based on reasonable inquiry of our suppliers and represents our current actual knowledge based on the information they provided. This information is subject to change. The part numbers that TE has identified as EU RoHS compliant have a maximum concentration of 0.1% by weight in homogenous materials for lead, hexavalent chromium, mercury, PBB, PBDE, DBP, BBP, DEHP, DIBP, and 0.01% for cadmium, or qualify for an exemption to these limits as defined in the Annexes of Directive 2011/65/EU (RoHS2). Finished electrical and electronic equipment products will be CE marked as required by Directive 2011/65/EU. Components may not be CE marked. Additionally, the part numbers that TE has identified as EU ELV compliant have a maximum concentration of 0.1% by weight in homogenous materials for lead, hexavalent chromium, and mercury, and 0.01% for cadmium, or qualify for an exemption to these limits as defined in the Annexes of Directive 2000/53/EC (ELV). Regarding the REACH Regulation, the information TE provides on SVHC in articles for this part number is based on the latest European Chemicals Agency (ECHA) 'Guidance on requirements for substances in articles' posted at this URL: <https://echa.europa.eu/guidance-documents/guidance-on-reach>

Compatible Parts



TE Part # 539967-1
EXTRACTION TOOL



TE Part # 1-1579007-9
ASSEMBLY TOOL



TE Part # 2-2151991-2
OCEAN_2.0_Applicator-S-120F2650



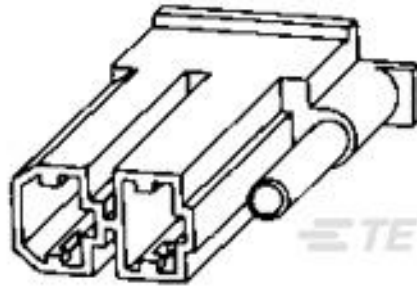
TE Part # 2151991-2
OCEAN_2.0_Applicator-S-120F2650



KIT
REPRESENTATION ONLY

TE Part # 7-2151991-7
OCEAN_2.0_SPARE_PART_KIT-120F2650

Customers Also Bought



TE Part #171447-3
FF 375 PLUG HSG 2P NYLON BROWN



TE Part #1-1534097-1
MQS COVER 2X8P



TE Part #1-2112891-1
AMP MCP, UNSEALED CONNECTOR HOUSING




TE Part #1670144-2
MCON 1.2 CB REC SRC AU



TE Part #2-2141874-1
TIMER, RECEPTACLE AND TAB



TE Part #6-967629-1
TAB HOUSING, 2.8MM, 18POS.



TE Part #2-966096-1
MQS ABDECKKAPPE 18P

Documents

Product Drawings
4MM PIN CONTACT

English

CAD Files

3D PDF

3D



Customer View Model

[ENG_CVM_CVM_965839-1_F.2d_dxf.zip](#)

English

Customer View Model

[ENG_CVM_CVM_965839-1_F.3d_igs.zip](#)

English

Customer View Model

[ENG_CVM_CVM_965839-1_F.3d_stp.zip](#)

English

By downloading the CAD file I accept and agree to the [Terms and Conditions](#) of use.

Product Specifications

[EG**4 mm Kontaktsystem](#)

German

[Product Specification](#)

German