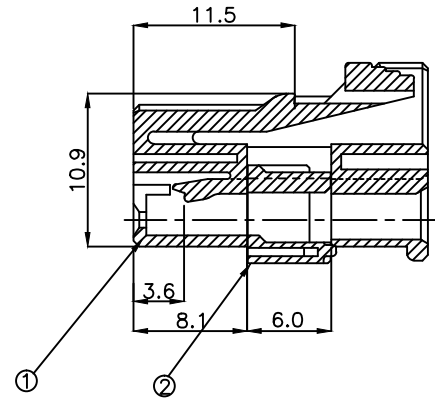
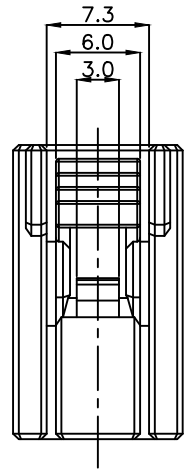
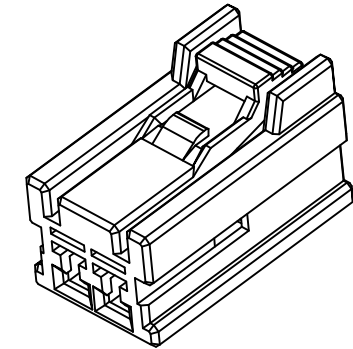


THIS DRAWING IS UNPUBLISHED. RELEASED FOR PUBLICATION
 © COPYRIGHT 20 BY - TE Connectivity ALL RIGHTS RESERVED.

LOC	DIST	REVISIONS					
		P	LTR	DESCRIPTION	DATE	DWN	APVD
DS	-	B1		REVISED (ECR-09-005043)	24.MAR.'09	KT	HG
		B2		REVISED (ECR-17-006403)	10.MAY.'17	SJ	JW



SECTION A - A

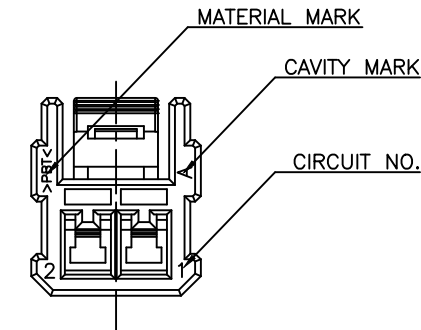
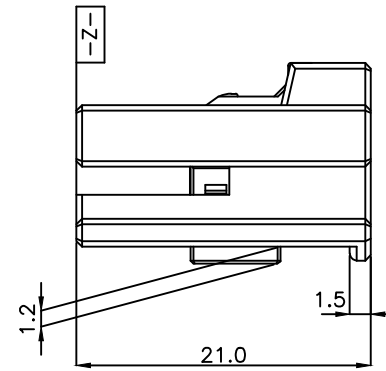
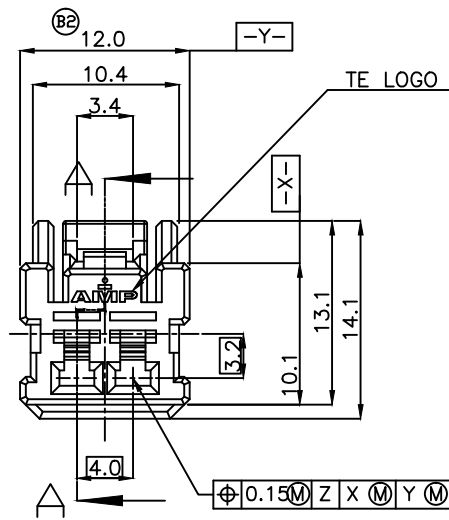


NOTES.

- THE MATING HSG. P/N ; 936236
- APPLIED CONTACT P/N ;
 090 II REC. - 368083, 368084, 368085 (B1) (B1)
 090 III REC. - 1743654, 1743655, 1743656, 1897753, 1897598

-주기-

- 상대 하우징 P/N. ; 936236
- 적용단자 P/N. ; 090 II REC.- 368083,368084,368085 (B1) (B1)
 090 III REC.- 1743654,1743655,1743656,1897753,1897598



ASSY P/N
0-936224-8
0-936224-5
0-936224-4
0-936224-3
0-936224-2
0-936224-1

NO	COLOR	MATERIAL	DESCRIPTION	P/N	QTY
1	BLUE	PBT	PLUG	0-936225-8	1
	YELLOW	PBT	PLUG	0-936225-5	1
	BROWN	PBT	PLUG	0-936225-4	1
	D/GRAY	PBT	PLUG	0-936225-3	1
	BLACK	PBT	PLUG	0-936225-2	1
	NATURAL	PBT	PLUG	0-936225-1	1
2	NATURAL	PBT	DBL	0-936226-1	1 1 1 1 1 1

THIS DRAWING IS A CONTROLLED DOCUMENT.

DIMENSIONS: MM	TOLERANCES UNLESS OTHERWISE SPECIFIED: 0 <XX<10 ± 0.2 10<XX<30 ± 0.25 30<XX ± 0.3 ANGLES ± 3°
MATERIAL SEE TABLE	FINISH

DWN KT LIM				
CHK JK SONG				
APVD CS LEE	NAME			
PRODUCT SPEC -	090III 2P PLUG ASS'Y			
APPLICATION SPEC -	SIZE A3	CAGE CODE 00779	DRAWING NO C-936224	RESTRICTED TO -
WEIGHT -	CUSTOMER DRAWING		SCALE 2/1	SHEET 1 OF 1 REV B2