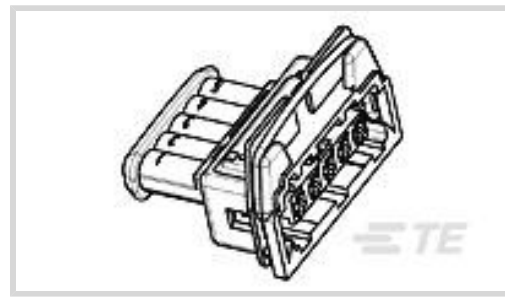




Connectors > Automotive Connectors > Connector Housings > TIMER, CONNECTOR HOUSING



Connector & Housing Type: **Housing for Female Terminals**

Mating Tab Width: **2.8 mm [.11 in]**

Connector System: **Wire-to-Wire**

Number of Positions: **5**

Centerline (Pitch): **5 mm [.197 in]**

[All TIMER, CONNECTOR HOUSING \(543\)](#)

Features

Product Type Features

Connector & Housing Shape	Rectangular
Connector & Housing Type	Housing for Female Terminals
Connector System	Wire-to-Wire
Sealable	Yes
Hybrid Connector	No
Primary Locking Feature	On the Terminal

Configuration Features

Number of Positions	5
Number of Rows	1

Electrical Characteristics

Operating Voltage	48 VDC
Nominal Voltage Architecture	12 V, 24 V, 42 V, 48 V

Body Features

Cable Exit Angle	180°
Body Material	PA GF
Primary Product Color	Brown

Contact Features



Contact Size	2.8mm
Contact Type	Receptacle
Mating Tab Width	2.8 mm[.11 in]

Mechanical Attachment

Mounting Feature	Without
Terminal Position Assurance	Yes
Strain Relief	Without
Mating Alignment Type	Polarization Slot
Mating Alignment	With
Connector Mounting Type	Cable Mount (Free-Hanging)

Housing Features

Centerline (Pitch)	5 mm[.197 in]
--------------------	---------------

Dimensions

Product Width	33.8 mm[1.331 in]
Product Length	39.6 mm[1.559 in]
Product Height	26 mm[1.024 in]

Usage Conditions

Operating Temperature (Max)	70 °C, 75 °C, 80 °C, 85 °C, 90 °C, 100 °C [158 °F][167 °F][176 °F][185 °F][194 °F][212 °F]
Operating Temperature Range	-40 – 100 °C[-40 – 212 °F]

Operation/Application

Circuit Application	Signal
---------------------	--------

Packaging Features

Packaging Method	Box
------------------	-----

Other

Serviceable	No
Connector Position Assurance Capable	No

Product Compliance

For compliance documentation, visit the product page on [TE.com](https://www.te.com)>

EU RoHS Directive 2011/65/EU	Compliant
EU ELV Directive 2000/53/EC	Compliant



China RoHS 2 Directive MIIT Order No 32, 2016	No Restricted Materials Above Threshold
EU REACH Regulation (EC) No. 1907/2006	Current ECHA Candidate List: JUNE 2022 (224) Candidate List Declared Against: JAN 2019 (197) SVHC > Threshold: Not Yet Reviewed
Halogen Content	Low Halogen - Br, Cl, F, I < 900 ppm per homogenous material. Also BFR/CFR/PVC Free
Solder Process Capability	Not reviewed for solder process capability

Product Compliance Disclaimer

This information is provided based on reasonable inquiry of our suppliers and represents our current actual knowledge based on the information they provided. This information is subject to change. The part numbers that TE has identified as EU RoHS compliant have a maximum concentration of 0.1% by weight in homogenous materials for lead, hexavalent chromium, mercury, PBB, PBDE, DBP, BBP, DEHP, DIBP, and 0.01% for cadmium, or qualify for an exemption to these limits as defined in the Annexes of Directive 2011/65/EU (RoHS2). Finished electrical and electronic equipment products will be CE marked as required by Directive 2011/65/EU. Components may not be CE marked. Additionally, the part numbers that TE has identified as EU ELV compliant have a maximum concentration of 0.1% by weight in homogenous materials for lead, hexavalent chromium, and mercury, and 0.01% for cadmium, or qualify for an exemption to these limits as defined in the Annexes of Directive 2000/53/EC (ELV). Regarding the REACH Regulation, the information TE provides on SVHC in articles for this part number is based on the latest European Chemicals Agency (ECHA) 'Guidance on requirements for substances in articles' posted at this URL: <https://echa.europa.eu/guidance-documents/guidance-on-reach>

Compatible Parts

TE Part # 828906-2
BLINDSTOPFEN 1,5SYS

TE Part # 185026-1
JPT F REC 2.8 Contact SWS Sn

TE Part # 185026-3
JPT F REC 2.8 Contact SWS Sn

TE Part # 828906-1
CAVITY PLUG (5MM HOLE)

TE Part # 6-185026-1
JPT RCPT SEAL ON WIRE

Also in the Series | **Junior Power Timer**



Automotive Connector Caps & Covers (5)



Automotive Housings(225)



Automotive Seals & Cavity Plugs(10)



Automotive Terminals(82)



Busbars & Terminals(1)



Insertion & Extraction Tools(9)



Module Components(6)



Other Automotive Connector Accessories(1)

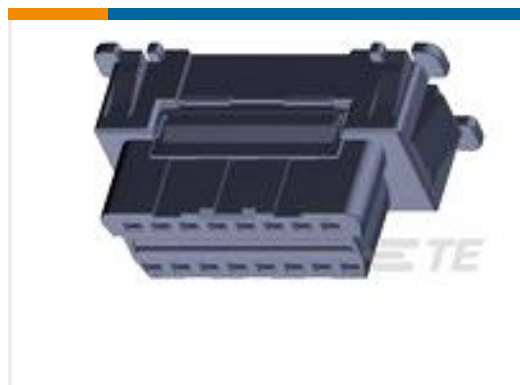


PCB Headers & Receptacles(1)

Customers Also Bought



TE Part #936159-1
FUEL PUMP 6P PLUG ASSY JPT TYP



TE Part #348822-6
16 WAY DIAGNOSTIC CONN GREY



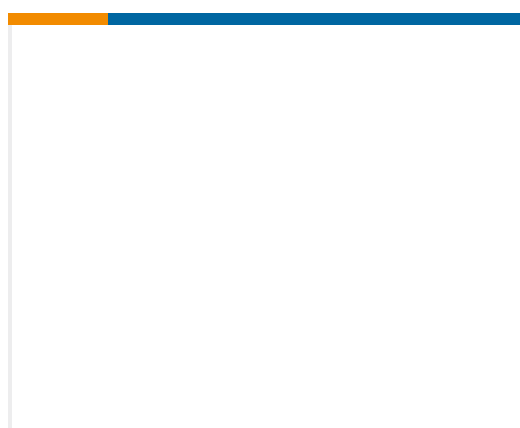
TE Part #5-2109455-2
050/110 48P CAP ASSY CODE A



TE Part #1-2295389-6
PLUG ASSY, 24WAY HYBRID,
UNSEALED, F



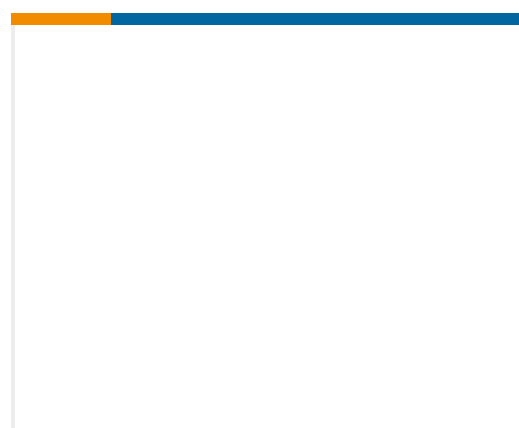
TE Part #2292584-2
SAIC IP31 AKII CABLE ASSY



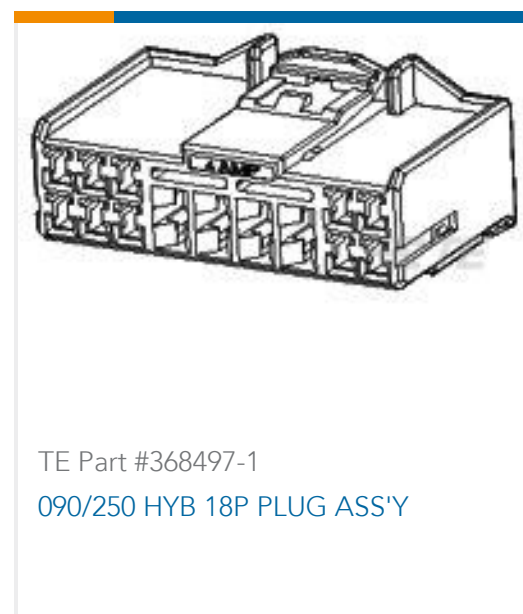
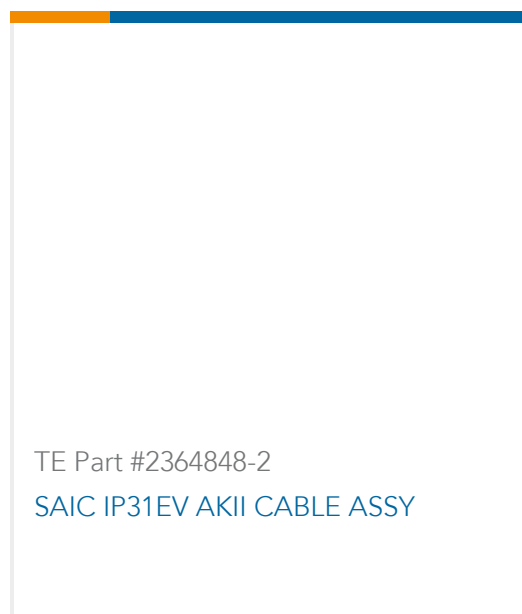
TE Part #2297523-1
TAB HSG ASSY, DTB 50POSN.



TE Part #2317733-1
92POS,CCS,SOC HSG ASSY,UNSLD



TE Part #2364848-1
SAIC IP31EV AKII CABLE ASSY



Documents

Product Drawings

5W JPT/SWS CET CON

English

CAD Files

Customer View Model

[ENG_CVM_953310-2_C.3d_igs.zip](#)

English

Customer View Model

[ENG_CVM_953310-2_C.3d_stp.zip](#)

English

Customer View Model

[ENG_CVM_953310-2_C.2d_dxf.zip](#)

English

3D PDF

English

By downloading the CAD file I accept and agree to the [Terms and Conditions](#) of use.

Datasheets & Catalog Pages

Timer Interconnection System

English

Product Specifications

PORTE-CLIPS 5 VOIES POUR JPT A JOINT UNIFILAIRE

English

Product Specification

English

Instruction Sheets

Instruction Sheet (non U.S.)

French