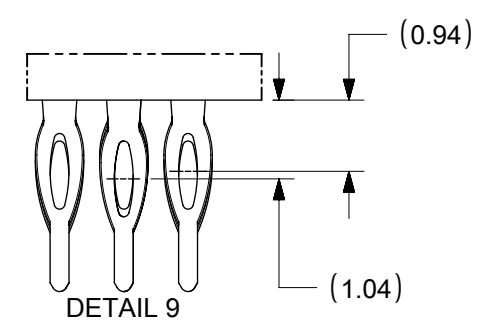
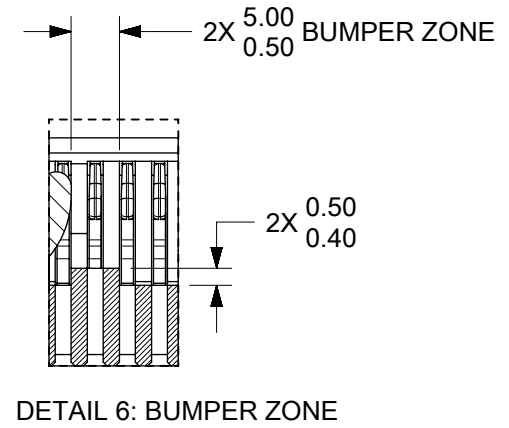
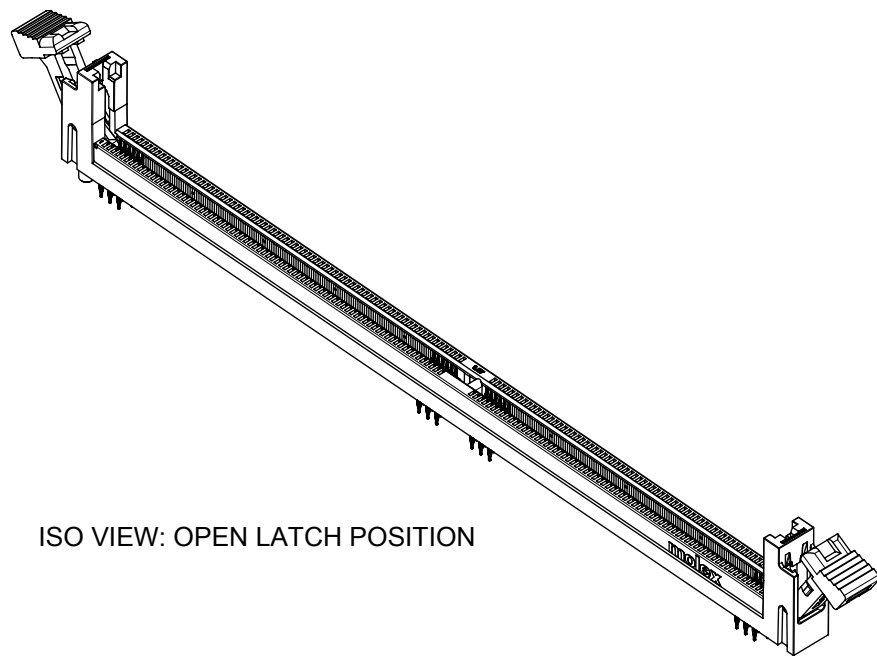
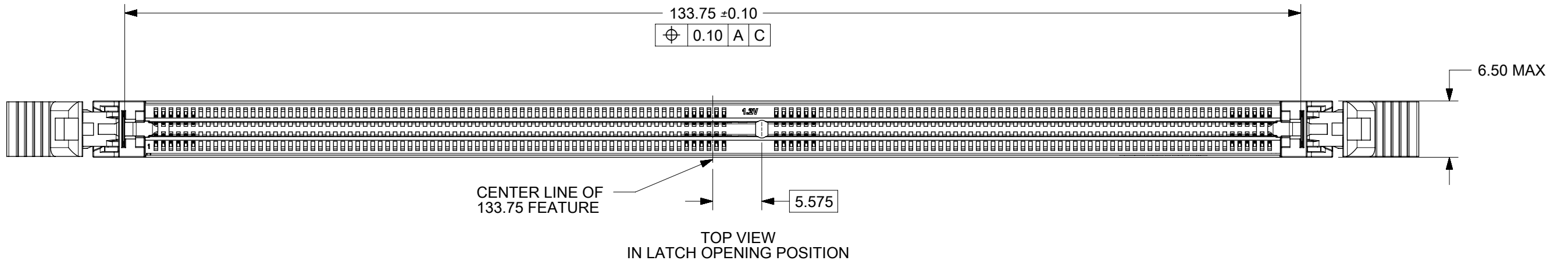


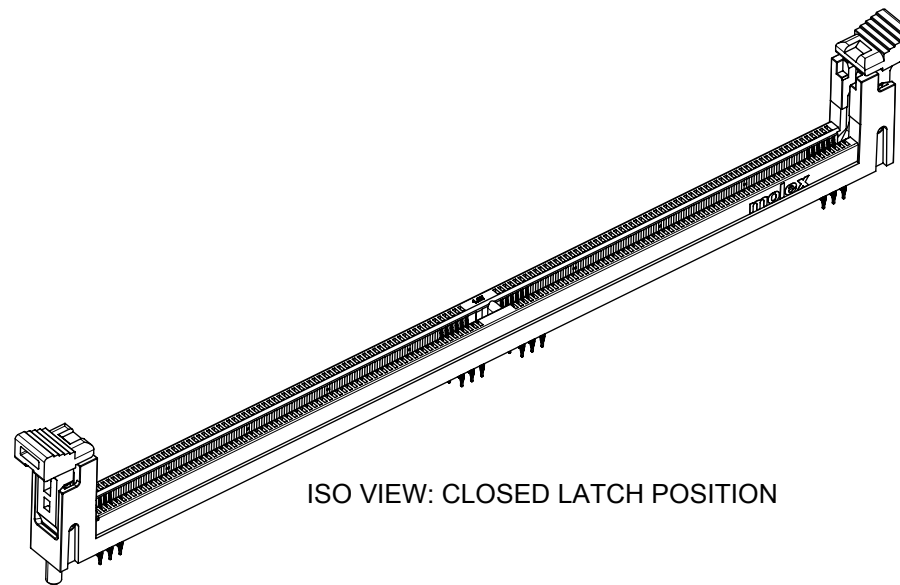
- NOTES:
- MATERIAL : HOUSING - HALOGEN FREE HIGH TEMP POLYAMIDE, GLASS FILLED, UL94V-0.
COLOUR : SEE TABLE ON SHEET 5.
LATCH - HALOGEN FREE HIGH TEMP POLYAMIDE, GLASS FILLED, UL94V-0.
COLOUR : SEE TABLE ON SHEET 5.
TERMINAL: COPPER ALLOY.
 - FINISHES - SEE TABLE ON SHEET 5.
 - PRODUCT SPECIFICATION : SEE TABLE ON SHEET 5.
 - PACKAGING SPECIFICATION: PRODUCT SHALL BE PACKED IN TRAY, SEE SHEET 5
 - CARD SLOT ACCEPTS 1.40±0.10MM MODULE THICKNESS (MEASURED OVER P.C. PADS).
 - MOLEX LOGO, DATE & PART NO. INDICATED ON HOUSING.
 - MODULE SEATING PLANE.
 - KEEP OUT ZONE RESERVED FOR LATCH.
 - KEEP OUT AREA IS THE AREA WHERE THE CONNECTOR (INCLUDES LATCHES IN OPENING POSITION) IS MOUNTED ON THE PCB.
 - REFER TO AS-78731-001 FOR CONNECTOR MOUNTING AND REWORK INFORMATION.
 - REFER TO AS-78731-003 FOR PCB ROUTING RECOMMENDATIONS.



THIS DRAWING CONTAINS INFORMATION THAT IS PROPRIETARY TO MOLEX ELECTRONIC TECHNOLOGIES, LLC AND SHOULD NOT BE USED WITHOUT WRITTEN PERMISSION		CURRENT REV DESC: MIGRATED TO NX		molex	
DIMENSION UNITS	SCALE				
MM	NTS			DDR4 DIMM, 0.85MM PITCH 288CKTS, VERTICAL PF	
GENERAL TOLERANCES (UNLESS SPECIFIED)		EC NO: 174601		PRODUCT CUSTOMER DRAWING	
ANGULAR TOL	± 3.0 °	DRWN: SMAHESHBABU	2018/03/08	DOCUMENT NUMBER	
4 PLACES	±	CHK'D: CGTAN	2018/05/08	SD-78731-001	
3 PLACES	±	APPR: SHLENI	2018/05/15	DOC TYPE	DOC PART
2 PLACES	± 0.2	INITIAL REVISION:		PSD	001
1 PLACE	±	DRWN: EKSOH	2012/08/03	REVISION	
0 PLACES	±	APPR: SHLENI	2013/05/09	A	
DRAFT WHERE APPLICABLE MUST REMAIN WITHIN DIMENSIONS		THIRD ANGLE PROJECTION	DRAWING	SERIES	MATERIAL NUMBER
			A3-SIZE	78731	CUSTOMER
					GENERAL MARKET
					SHEET NUMBER
					1 OF 5



ISO VIEW: OPEN LATCH POSITION



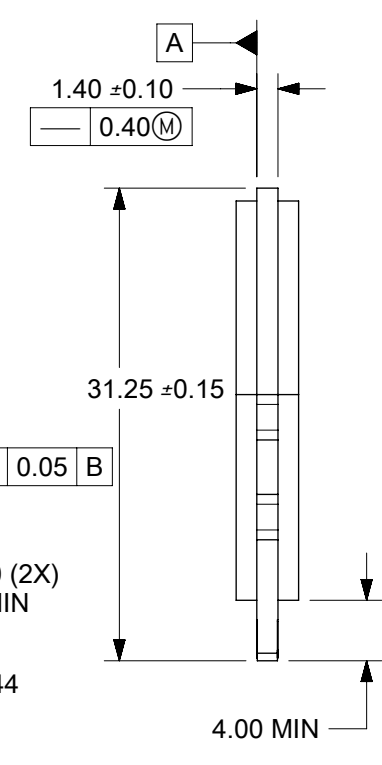
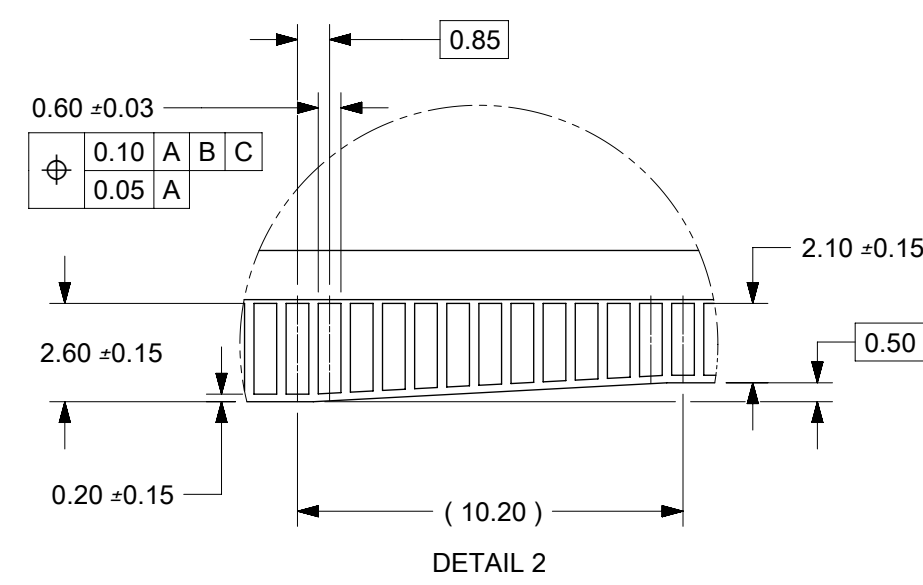
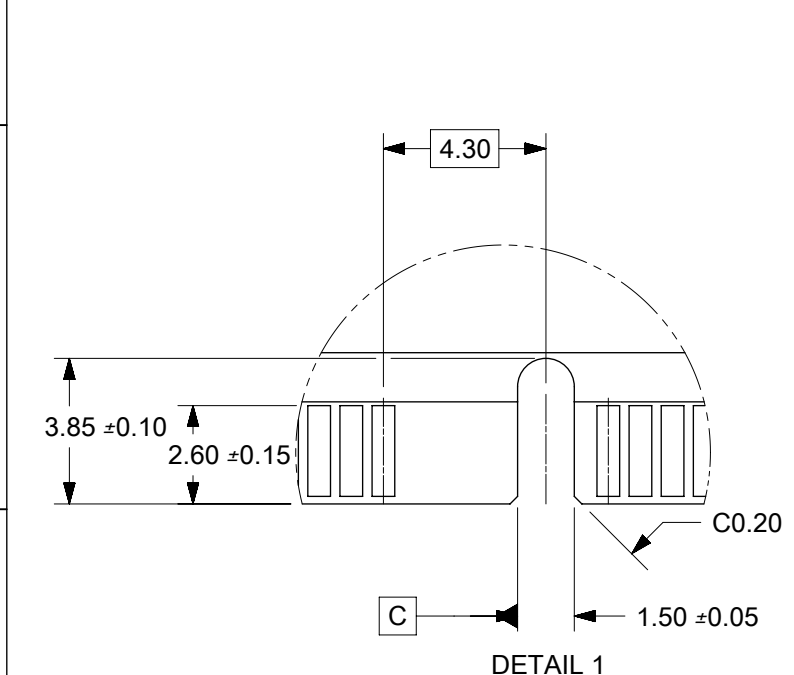
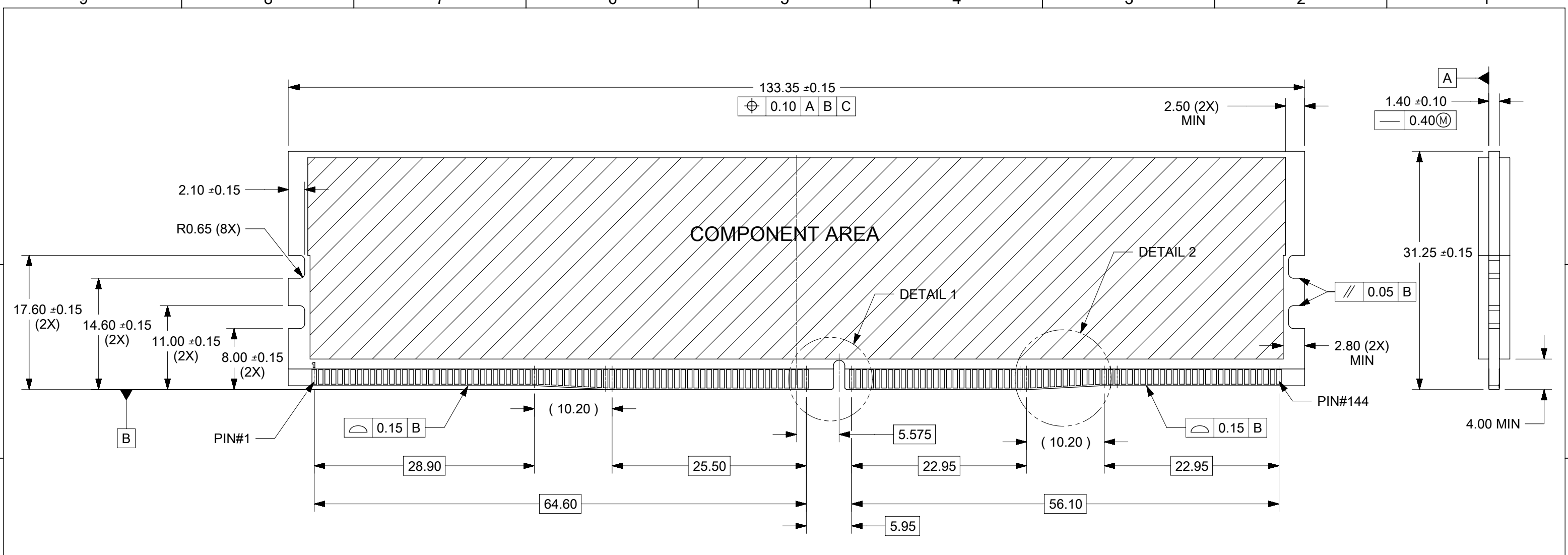
ISO VIEW: CLOSED LATCH POSITION

THIS DRAWING CONTAINS INFORMATION THAT IS PROPRIETARY TO MOLEX ELECTRONIC TECHNOLOGIES, LLC AND SHOULD NOT BE USED WITHOUT WRITTEN PERMISSION												
DIMENSION UNITS		SCALE		CURRENT REV DESC: MIGRATED TO NX				molex				
MM		NTS										
GENERAL TOLERANCES (UNLESS SPECIFIED)												
ANGULAR TOL ± 3.0 °												
4 PLACES ±												
3 PLACES ±												
2 PLACES ± 0.2												
1 PLACE ±												
0 PLACES ±												
DRAFT WHERE APPLICABLE MUST REMAIN WITHIN DIMENSIONS				THIRD ANGLE PROJECTION		DRAWING	SERIES	MATERIAL NUMBER	CUSTOMER	SHEET NUMBER		
DOCUMENT STATUS		P1		RELEASE DATE		2018/05/15 11:25:15		A3-SIZE	78731	SEE TABLE	GENERAL MARKET	2 OF 5

molex			
DDR4 DIMM, 0.85MM PITCH 288CKTS, VERTICAL PF			
PRODUCT CUSTOMER DRAWING			
DOCUMENT NUMBER		DOC TYPE	DOC PART
SD-78731-001		PSD	001
REVISION		A	

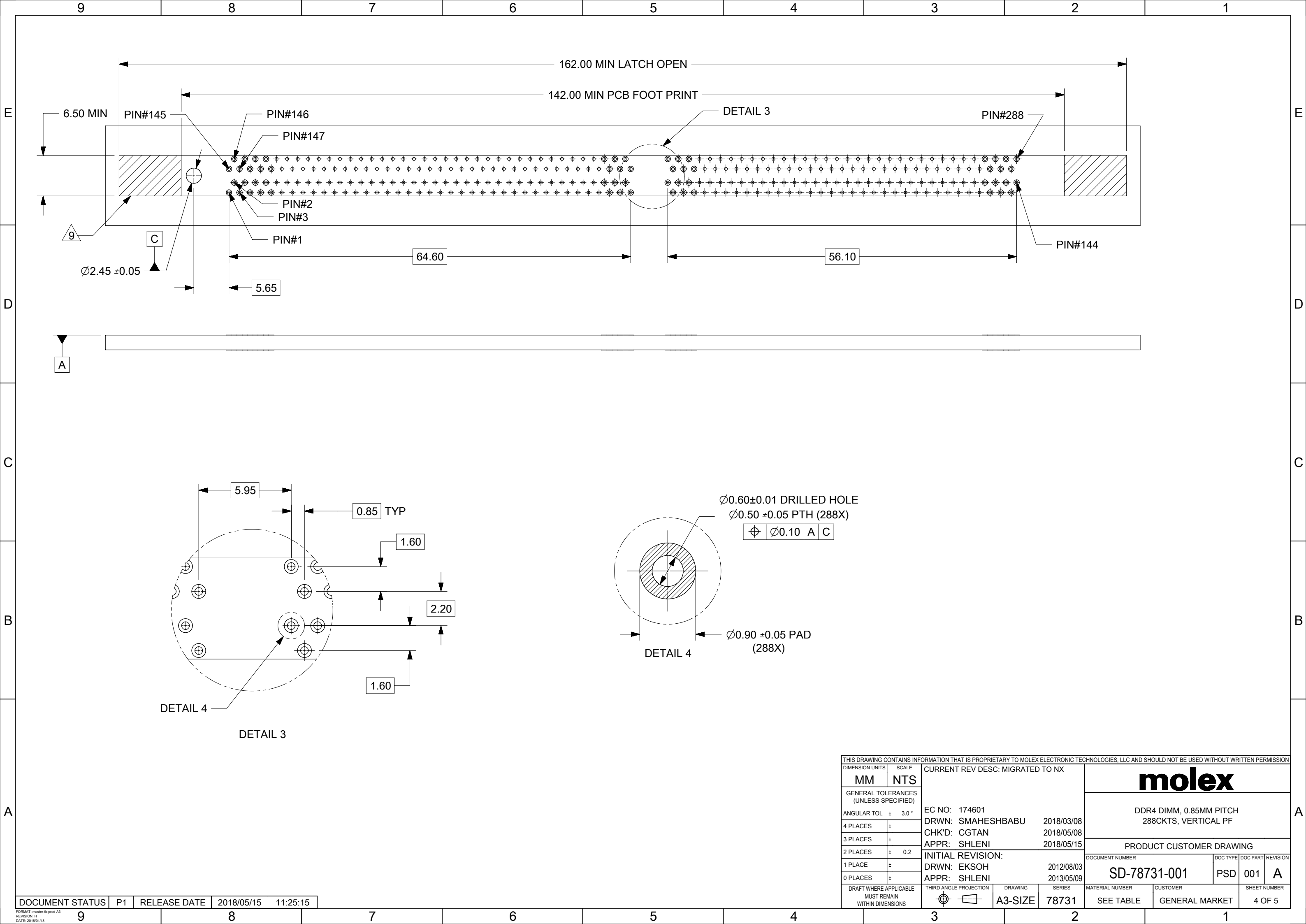
DOCUMENT STATUS	P1	RELEASE DATE	2018/05/15 11:25:15
-----------------	----	--------------	---------------------

FORMAT: master-ib-prod-A3
REVISION: 14
DATE: 2018/01/18



THIS DRAWING CONTAINS INFORMATION THAT IS PROPRIETARY TO MOLEX ELECTRONIC TECHNOLOGIES, LLC AND SHOULD NOT BE USED WITHOUT WRITTEN PERMISSION		CURRENT REV DESC: MIGRATED TO NX		molex	
DIMENSION UNITS	SCALE	EC NO: 174601			
MM	NTS	DRWN: SMAHESHBABU 2018/03/08		288CKTS, VERTICAL PF	
GENERAL TOLERANCES (UNLESS SPECIFIED)		CHK'D: CGTAN 2018/05/08		PRODUCT CUSTOMER DRAWING	
ANGULAR TOL	± 3.0°	APPR: SHLENI 2018/05/15		DOCUMENT NUMBER	
4 PLACES	±	INITIAL REVISION:		SD-78731-001	
3 PLACES	±	DRWN: EKSOH 2012/08/03		DOC TYPE	DOC PART
2 PLACES	± 0.2	APPR: SHLENI 2013/05/09		PSD	001
1 PLACE	±	MATERIAL NUMBER		REVISION	A
0 PLACES	±	CUSTOMER		SEE TABLE	
DRAFT WHERE APPLICABLE MUST REMAIN WITHIN DIMENSIONS		THIRD ANGLE PROJECTION	DRAWING	SERIES	SHEET NUMBER
			A3-SIZE	78731	3 OF 5

DOCUMENT STATUS	P1	RELEASE DATE	2018/05/15	11:25:15
-----------------	----	--------------	------------	----------



THIS DRAWING CONTAINS INFORMATION THAT IS PROPRIETARY TO MOLEX ELECTRONIC TECHNOLOGIES, LLC AND SHOULD NOT BE USED WITHOUT WRITTEN PERMISSION									
DIMENSION UNITS		SCALE		CURRENT REV DESC: MIGRATED TO NX					
MM		NTS							
GENERAL TOLERANCES (UNLESS SPECIFIED)									
ANGULAR TOL		± 3.0 °		EC NO: 174601		2018/03/08		DDR4 DIMM, 0.85MM PITCH	
4 PLACES		±		DRWN: SMAHESHBABU		2018/05/08		288CKTS, VERTICAL PF	
3 PLACES		±		CHK'D: CGTAN		2018/05/15		PRODUCT CUSTOMER DRAWING	
2 PLACES		± 0.2		APPR: SHLENI		2018/05/15		DOCUMENT NUMBER	
1 PLACE		±		INITIAL REVISION:		2012/08/03		SD-78731-001	
0 PLACES		±		DRWN: EKSOH		2013/05/09		DOC TYPE	
DRAFT WHERE APPLICABLE		THIRD ANGLE PROJECTION		DRAWING		SERIES		DOC PART	
MUST REMAIN WITHIN DIMENSIONS				A3-SIZE		78731		REVISION	
				MATERIAL NUMBER		CUSTOMER		SHEET NUMBER	
				SEE TABLE		GENERAL MARKET		4 OF 5	

DOCUMENT STATUS	P1	RELEASE DATE	2018/05/15	11:25:15
-----------------	----	--------------	------------	----------

CKT SIZE	ASSEMBLY PART NO.	HOUSING COLOUR	LATCH COLOUR	DIM"P"	DIM"Q"	RECOMMENDED MINIMUM PCB THICKNESS	PLATING OPTION		PRODUCT SPEC. NO.	PACKAGING SPEC. NO.
							CONTACT AREA	TAIL AREA		
288	78731-1002	BLACK	BLACK	2.53	4.30	1.80	0.76 MICROMETER (30 MICROINCH) MIN GOLD ON CONTACT	2.29 MICROMETER (90 MICROINCH) MIN NICKEL UNDERPLATE	PS-78731-001	PK-78731-001
	78731-1003	BLACK	WHITE							
	78731-1004	WHITE	BLACK							
	78731-1005	WHITE	WHITE							
	78731-1006	BLUE	BLUE							
	78731-1007	BLACK	BLACK	3.53			0.38 TO 1.52 MICROMETER (15 TO 60 MICROINCH) MIN TIN ON SOLDER TAILS			
	78731-1008	BLACK	WHITE							
	78731-1009	WHITE	BLACK							
	78731-1010	WHITE	WHITE							
	78731-1011	BLUE	BLUE	2.53			0.38 MICROMETER (15 MICROINCH) MIN GOLD ON CONTACT			
	78731-2002	BLACK	BLACK							
	78731-2003	BLACK	WHITE							
	78731-2004	WHITE	BLACK							
	78731-2005	WHITE	WHITE							
	78731-2006	BLUE	BLUE	3.53			2.29 MICROMETER (90 MICROINCH) MIN NICKEL UNDERPLATE			
	78731-2007	BLACK	BLACK							
	78731-2008	BLACK	WHITE							
78731-2009	WHITE	BLACK								
78731-2010	WHITE	WHITE								
78731-2011	BLUE	BLUE								

THIS DRAWING CONTAINS INFORMATION THAT IS PROPRIETARY TO MOLEX ELECTRONIC TECHNOLOGIES, LLC AND SHOULD NOT BE USED WITHOUT WRITTEN PERMISSION

DIMENSION UNITS	SCALE	CURRENT REV DESC: MIGRATED TO NX		molex		
MM	NTS					
GENERAL TOLERANCES (UNLESS SPECIFIED)		EC NO: 174601		DDR4 DIMM, 0.85MM PITCH 288CKTS, VERTICAL PF		
ANGULAR TOL	± 3.0 °	DRWN: SMAHESHBABU	2018/03/08			
4 PLACES	±	CHK'D: CGTAN	2018/05/08			
3 PLACES	±	APPR: SHLENI	2018/05/15	PRODUCT CUSTOMER DRAWING		
2 PLACES	± 0.2	INITIAL REVISION:		DOCUMENT NUMBER	DOC TYPE	DOC PART
1 PLACE	±	DRWN: EKSOH	2012/08/03	SD-78731-001	PSD	001
0 PLACES	±	APPR: SHLENI	2013/05/09			A
DRAFT WHERE APPLICABLE MUST REMAIN WITHIN DIMENSIONS	THIRD ANGLE PROJECTION	DRAWING	SERIES	MATERIAL NUMBER	CUSTOMER	SHEET NUMBER
		A3-SIZE	78731	SEE TABLE	GENERAL MARKET	5 OF 5