

825213-1 ✓ ACTIVE

AMP | Timer Connector System

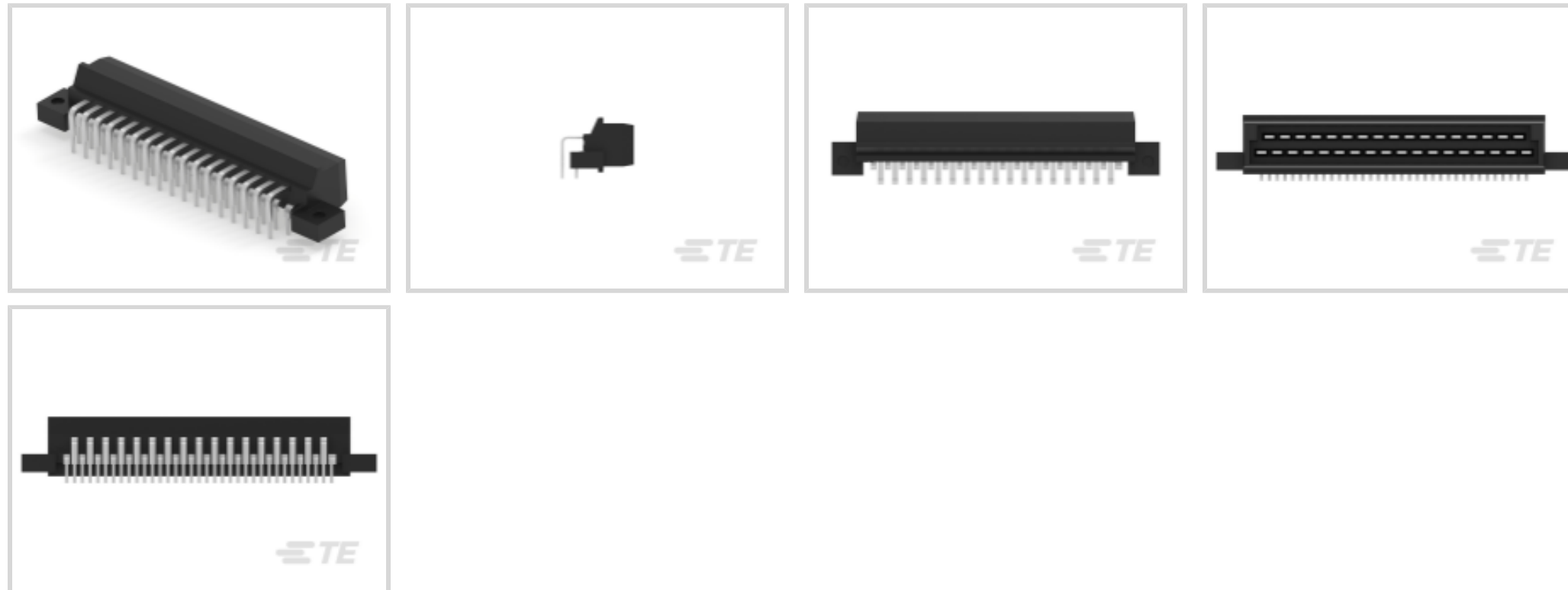
TE Internal #: 825213-1

PCB Mount Header, Horizontal, Wire-to-Board, 35 Position, .196 in [5 mm] Centerline, Fully Shrouded, Tin (Sn), Timer Connector System

[View on TE.com >](#)



Connectors > PCB Connectors > PCB Headers & Receptacles > LOW & MEDIUM POWER HEADER



Connector System: **Wire-to-Board**

Number of Positions: **35**

Centerline (Pitch): **5 mm [.196 in]**

Sealable: **No**

PCB Mount Orientation: **Horizontal**

[All LOW & MEDIUM POWER HEADER \(153\)](#)

Features

Product Type Features

Hybrid Header	No
Connector & Housing Shape	Rectangular
PCB Connector Assembly Type	PCB Mount Header
Header Type	Fully Shrouded
Connector System	Wire-to-Board
Sealable	No

Configuration Features

Number of Sections	1
Number of Signal Positions	35
Number of Positions	35
PCB Mount Orientation	Horizontal
Number of Rows	2



Body Features

Primary Product Color	Black
-----------------------	-------

Contact Features

Contact Size	3mm
Contact Type	Tab
Mating Tab Width	3 mm[.118 in]
Mating Tab Thickness	.8 mm[.031 in]
Contact Mating Area Plating Material	Tin (Sn)

Termination Features

Termination Method to Printed Circuit Board	Through Hole - Solder
---	-----------------------

Mechanical Attachment

Mounting Holes	With
Mating Retention	With
Mating Alignment	With
PCB Mount Alignment	With
Panel Mount Feature	Without
PCB Mount Retention	With
PCB Mount Retention Type	Mounting Hole
Mating Retention Type	Locking Interface

Housing Features

Centerline (Pitch)	5 mm[.196 in]
--------------------	---------------

Dimensions

Connector Length	97.1 mm[3.82 in]
Connector Width	21 mm[.826 in]
Profile Height from PCB	19 mm[.748 in]

Operation/Application

Shielded	No
Circuit Application	Signal

Packaging Features

Packaging Type	Box
Packaging Quantity	176

Other



Interface Number	108-5102-1
------------------	------------

Product Compliance

[For compliance documentation, visit the product page on TE.com>](#)

EU RoHS Directive 2011/65/EU	Compliant
EU ELV Directive 2000/53/EC	Compliant
China RoHS 2 Directive MIIT Order No 32, 2016	No Restricted Materials Above Threshold
EU REACH Regulation (EC) No. 1907/2006	Current ECHA Candidate List: JUNE 2022 (224) Candidate List Declared Against: JUNE 2022 (224) Does not contain REACH SVHC
Halogen Content	Low Halogen - Br, Cl, F, I < 900 ppm per homogenous material. Also BFR/CFR/PVC Free
Solder Process Capability	Not applicable for solder process capability

Product Compliance Disclaimer

This information is provided based on reasonable inquiry of our suppliers and represents our current actual knowledge based on the information they provided. This information is subject to change. The part numbers that TE has identified as EU RoHS compliant have a maximum concentration of 0.1% by weight in homogenous materials for lead, hexavalent chromium, mercury, PBB, PBDE, DBP, BBP, DEHP, DIBP, and 0.01% for cadmium, or qualify for an exemption to these limits as defined in the Annexes of Directive 2011/65/EU (RoHS2). Finished electrical and electronic equipment products will be CE marked as required by Directive 2011/65/EU. Components may not be CE marked. Additionally, the part numbers that TE has identified as EU ELV compliant have a maximum concentration of 0.1% by weight in homogenous materials for lead, hexavalent chromium, and mercury, and 0.01% for cadmium, or qualify for an exemption to these limits as defined in the Annexes of Directive 2000/53/EC (ELV). Regarding the REACH Regulation, the information TE provides on SVHC in articles for this part number is based on the latest European Chemicals Agency (ECHA) 'Guidance on requirements for substances in articles' posted at this URL: <https://echa.europa.eu/guidance-documents/guidance-on-reach>

Compatible Parts

TE Part # CAT-T4827-CH8172
TIMER, CONNECTOR HOUSING

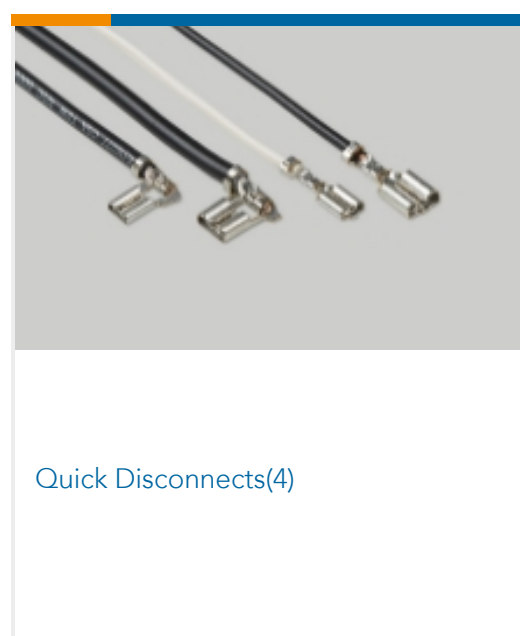
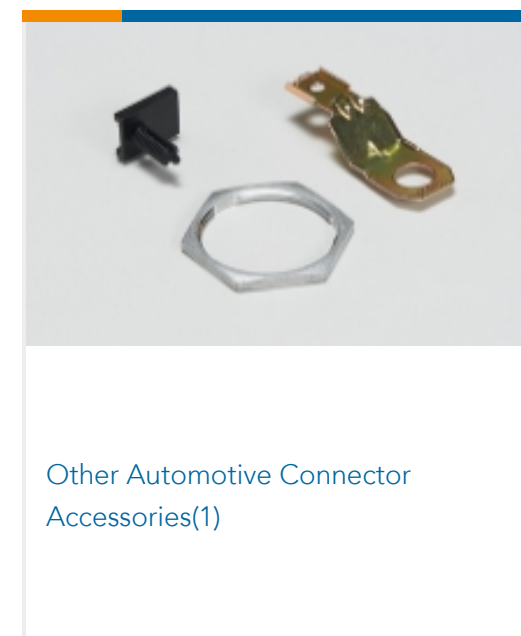
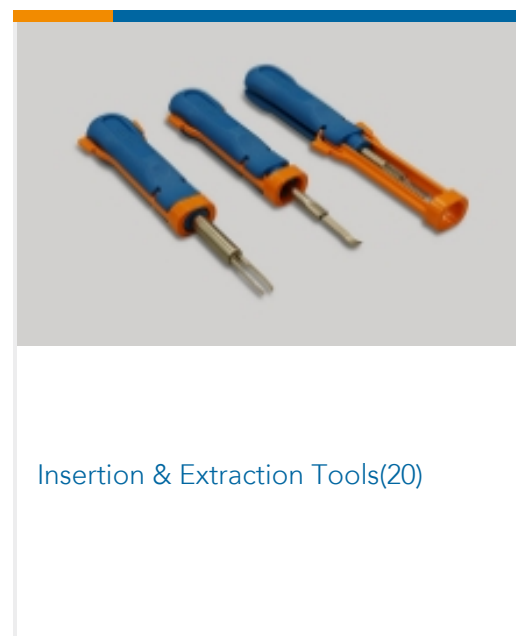
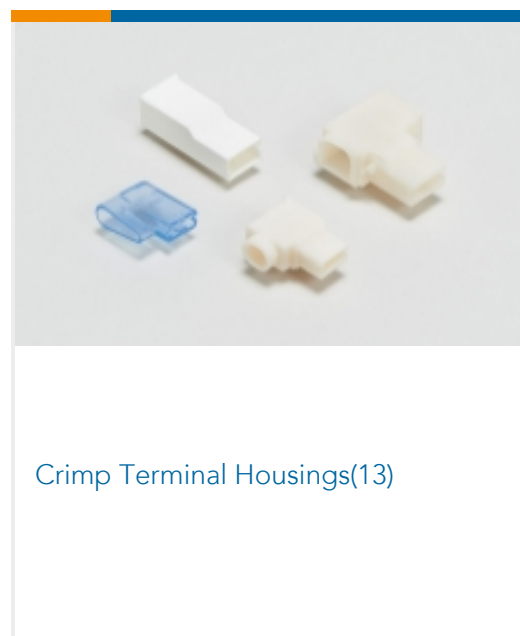
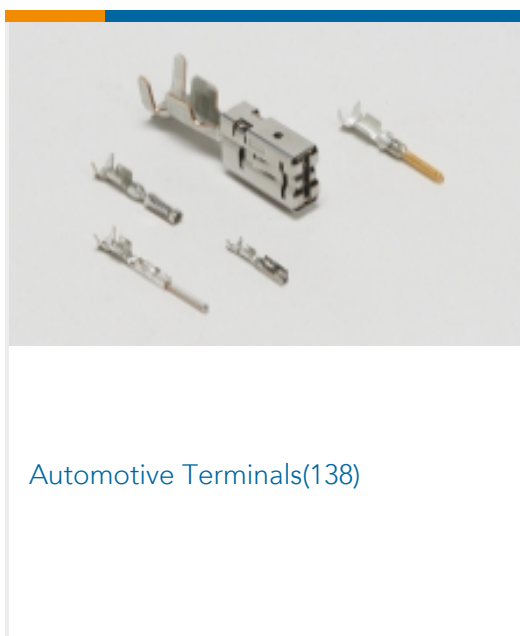
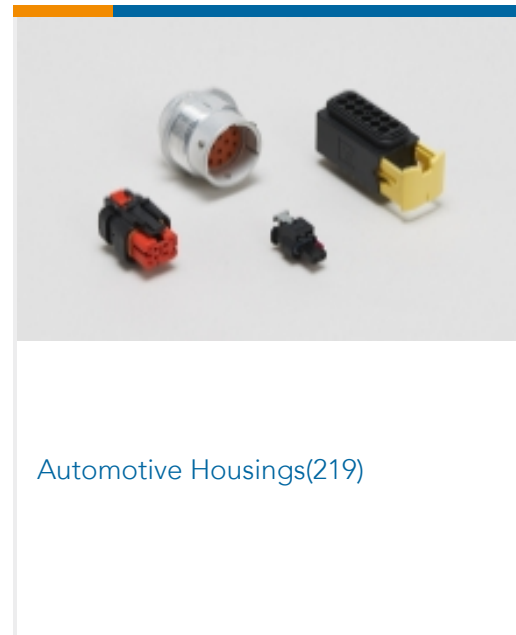
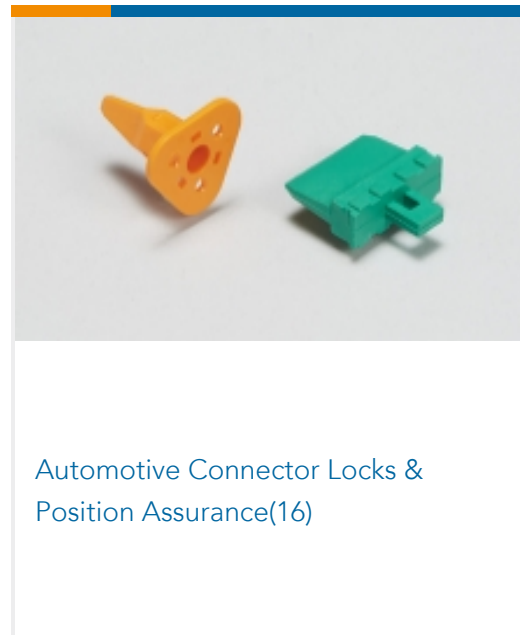
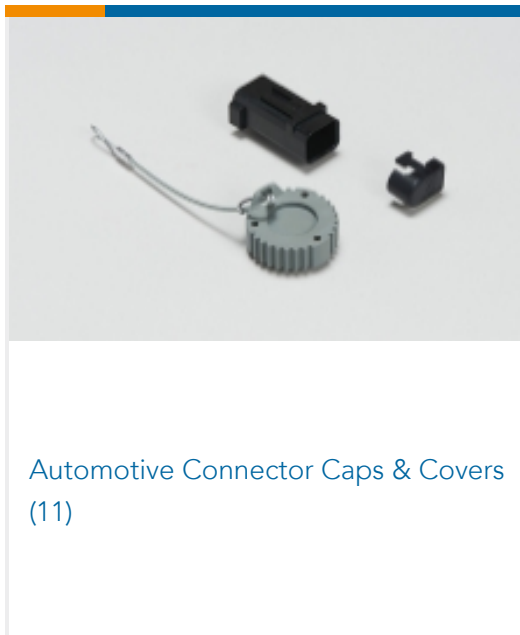
TE Part # 827663-3
35P JUNIOR-TIMER GH

TE Part # 827663-5
35P JUNIOR-TIMER GH

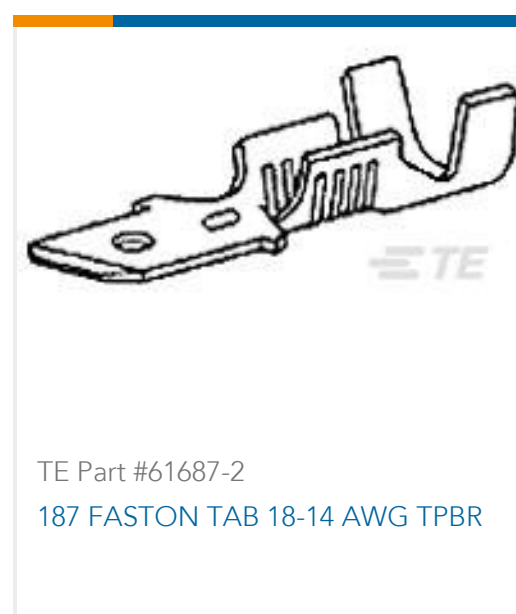
TE Part # 827663-6
35P JUNIOR-TIMER HOUSING

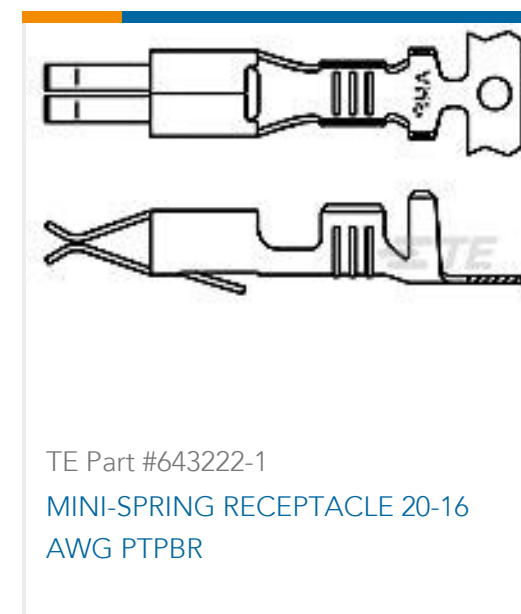


Also in the Series | Timer Connector System



Customers Also Bought





Documents

Product Drawings

35 POS TAB HOUSING

English

CAD Files

3D PDF

English

Customer View Model

[ENG_CVM_825213-1_L.2d_dxf.zip](#)

English

Customer View Model

[ENG_CVM_825213-1_L.3d_igs.zip](#)

English

Customer View Model

[ENG_CVM_825213-1_L.3d_stp.zip](#)

English

3D PDF

3D

Customer View Model

[ENG_CVM_CVM_825213-1_T.2d_dxf.zip](#)

English

Customer View Model

[ENG_CVM_CVM_825213-1_T.3d_igs.zip](#)

English

Customer View Model

[ENG_CVM_CVM_825213-1_T.3d_stp.zip](#)

English



By downloading the CAD file I accept and agree to the [Terms and Conditions](#) of use.

Product Specifications

Product Specification

English