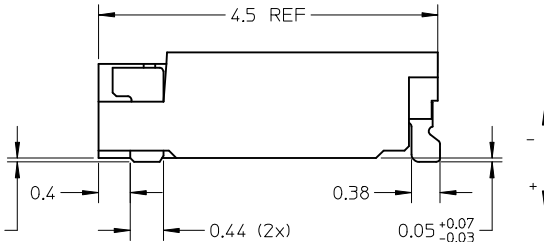
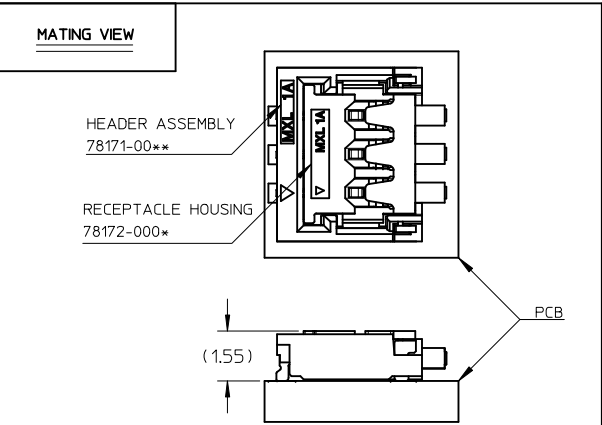


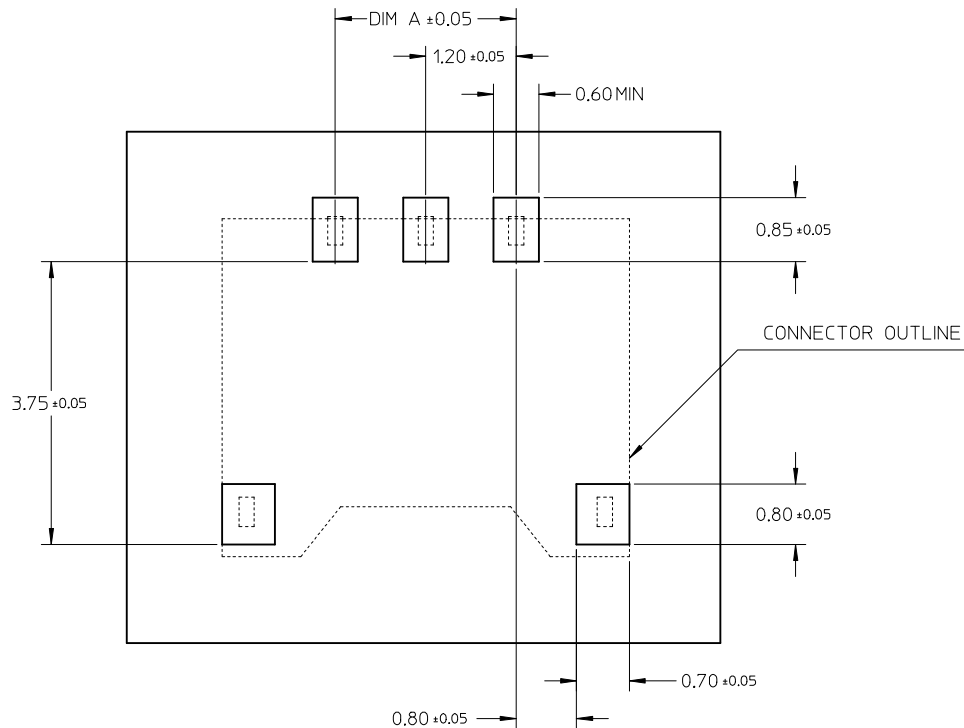
- NOTES:
- MATERIALS:  
HOUSING: LCP, UL94V-0, COLOUR : BLACK  
TERMINAL: COPPER ALLOY  
FITTING NAIL: COPPER ALLOY
  - FINISHES:  
TERMINAL : GOLD 0.14µm MIN. WITH 1.0 UM MIN NICKEL UNDERPLATE OVERALL  
FITTING NAIL : 1.5 UM MIN TIN WITH 1.0UM MIN NICKEL UNDERPLATE OVERALL.
  - PRODUCT SPECIFICATION: PS-78171-010
  - PACKAGING SPECIFICATION: TAPE & REEL PACKAGING
  - MATES WITH MOLEX PART NUMBER 78172-00\*\*
  - 3 CIRCUITS IS SHOWN FOR ILLUSTRATION PURPOSE ONLY
  - SOLDERTAIL AND FITTING NAIL COPLANARITY : 0.10 MM MAX TO BE MEASURED BY PLACING THE CONNECTOR ON A FLAT GAUGED SURFACE.
  - ELV & RoHS COMPLIANT.



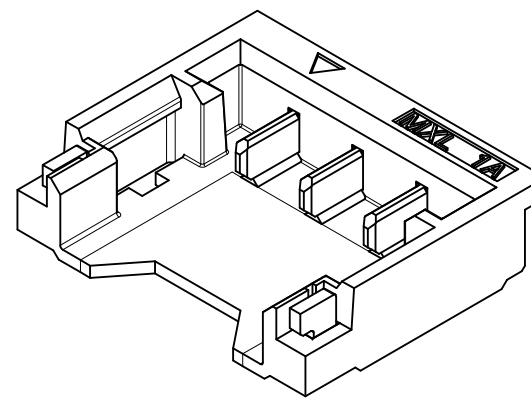
CKT SIZE	PART NUMBER	DIM A	DIM B	DIM C	DIM K
2	78171-0002	1.2	2.6	4.2	1.5
3	78171-0003	2.4	3.8	5.4	2.7
4	78171-0004	3.6	5.0	6.6	3.9
5	78171-0005	4.8	6.2	7.8	5.1



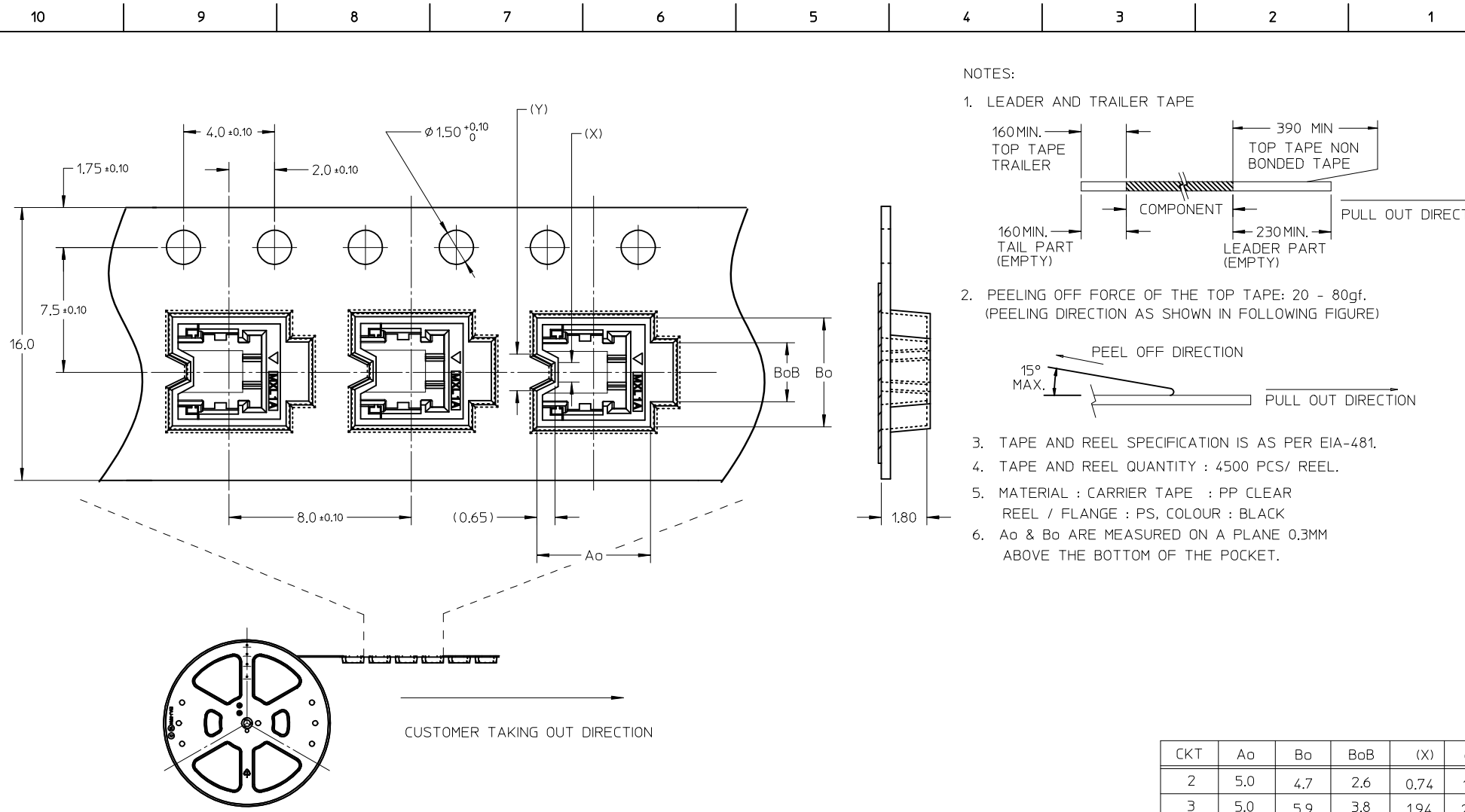
REVISED EC NO: J2015-0470 DRWN: YWAKE 2014/10/02 CHKD: KASAKAWA 2014/10/02 APPR: NUKITA 2014/10/15 G	DESCRIPTION GENERAL TOLERANCES (UNLESS SPECIFIED) 10 UNDER ±0.2 10 OVER 30 UNDER ±0.25 30 OVER ±0.3 ANGULAR ±3 ° DRAFT WHERE APPLICABLE MUST REMAIN WITHIN DIMENSIONS	DIMENSION STYLE <b>MM ONLY</b>	SCALE ---	DESIGN UNITS <b>METRIC</b>	THIRD ANGLE PROJECTION		
		DRAWN BY CWLAM	DATE 2007/10/25	TITLE <b>1.20MM PITCH, W-T-B HEADER CONNECTOR</b>			
		CHECKED BY KSSHANTHA	DATE 2007/12/07	MATERIAL NO. <b>SEE CHART</b>		DOCUMENT NO. <b>SD-78171-008</b>	SHEET NO. 1 OF 3
		APPROVED BY NUKITA 2010/10/25					THIS DRAWING CONTAINS INFORMATION THAT IS PROPRIETARY TO MOLEX INCORPORATED AND SHOULD NOT BE USED WITHOUT WRITTEN PERMISSION



RECOMMENDED PCB LAYOUT



SEE SHEET 1 EC NO: J2015-0470 DRWN: YWAKE 2014/10/02 CHKD: KASAKAWA 2014/10/02 APPR: NUKITA 2014/10/15	GENERAL TOLERANCES (UNLESS SPECIFIED)		DIMENSION STYLE <b>MM ONLY</b>	SCALE ---	DESIGN UNITS <b>METRIC</b>	THIRD ANGLE PROJECTION
	10 UNDER	±0.2	DRAWN BY CWLAM	DATE 2007/10/25	TITLE 1.20MM PITCH, W-T-B HEADER CONNECTOR	
	10 OVER 30 UNDER	±0.25	CHECKED BY KSSHANTHA	DATE 2007/12/07		
	30 OVER	±0.3	APPROVED BY NUKITA	DATE 2010/10/25		
	ANGULAR ±3 °		MATERIAL NO.	DOCUMENT NO. SD-78171-008		SHEET NO. 2 OF 3
DRAFT WHERE APPLICABLE MUST REMAIN WITHIN DIMENSIONS		SIZE <b>A3</b>	THIS DRAWING CONTAINS INFORMATION THAT IS PROPRIETARY TO MOLEX INCORPORATED AND SHOULD NOT BE USED WITHOUT WRITTEN PERMISSION			



NOTES:

- LEADER AND TRAILER TAPE
- PEELING OFF FORCE OF THE TOP TAPE: 20 - 80gf.  
 (PEELING DIRECTION AS SHOWN IN FOLLOWING FIGURE)
- TAPE AND REEL SPECIFICATION IS AS PER EIA-481.
- TAPE AND REEL QUANTITY : 4500 PCS/ REEL.
- MATERIAL : CARRIER TAPE : PP CLEAR  
 REEL / FLANGE : PS, COLOUR : BLACK
- Ao & Bo ARE MEASURED ON A PLANE 0.3MM ABOVE THE BOTTOM OF THE POCKET.

CKT	Ao	Bo	BoB	(X)	(Y)
2	5.0	4.7	2.6	0.74	1.54
3	5.0	5.9	3.8	1.94	2.74
4	5.0	7.1	5.0	3.14	3.94
5	5.0	8.3	6.2	4.34	5.14

SEE SHEET 1 EC NO: J2015-0470 DRWN: YAKE 2014/10/02 CHKD: KASAKAWA 2014/10/02 APPR: NUKITA 2014/10/15	GENERAL TOLERANCES (UNLESS SPECIFIED)		DIMENSION STYLE MM ONLY	SCALE ---	DESIGN UNITS METRIC	THIRD ANGLE PROJECTION
	10 UNDER	± 0.2	DRAWN BY CWLAM	DATE 2007/10/25	TITLE 1.20MM PITCH, W-T-B HEADER CONNECTOR	
	10 OVER 30 UNDER	± 0.25	CHECKED BY KSSHANTHA	DATE 2007/12/07	<b>molex</b> SD-78171-008 SHEET NO. 3 OF 3	
	30 OVER	± 0.3	APPROVED BY NUKITA	DATE 2010/10/25		
ANGULAR ± 3 °		MATERIAL NO. SEE SHEET 1		DOCUMENT NO. SD-78171-008		
DRAFT WHERE APPLICABLE MUST REMAIN WITHIN DIMENSIONS		THIS DRAWING CONTAINS INFORMATION THAT IS PROPRIETARY TO MOLEX INCORPORATED AND SHOULD NOT BE USED WITHOUT WRITTEN PERMISSION				