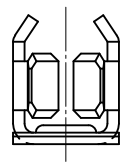
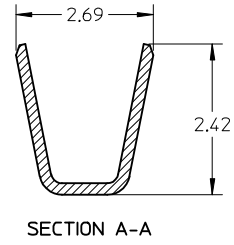
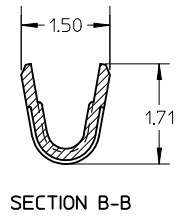
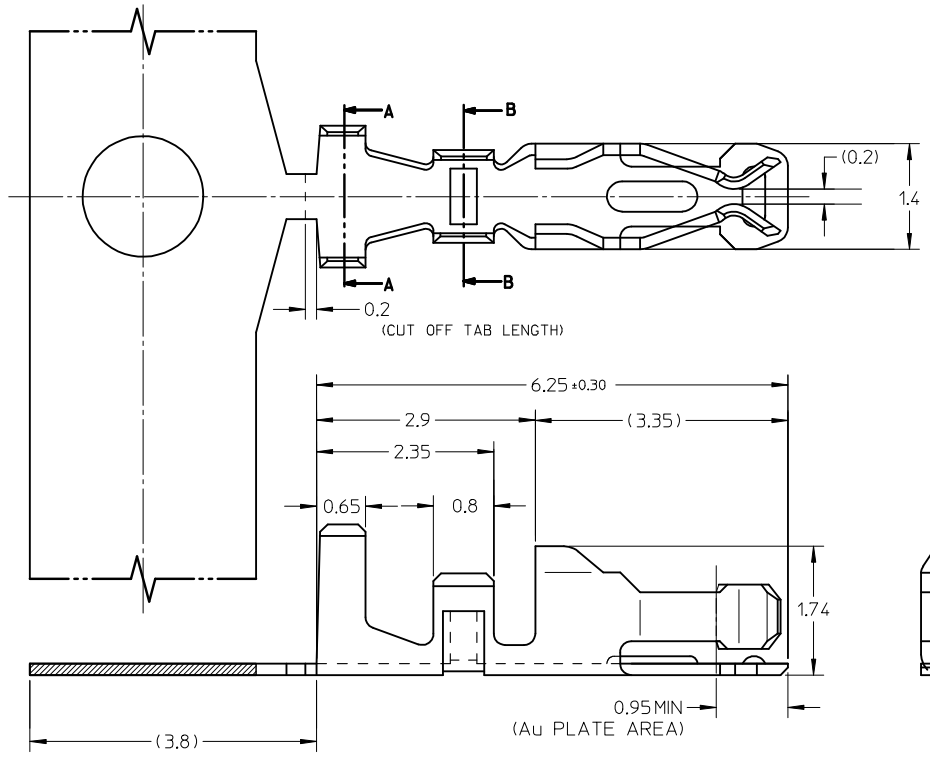




10 9 8 7 6 5 4 3 2 1



NOTES:

1. APPLICABLE HOUSING : 51110-\*\*\*1  
: 51110-\*\*5\*
2. APPLICABLE WIRE RANGE : AWG22 - AWG28  
MAXIMUM WIRE INSULATION O.D: 1.40MM
3. MATERIAL: PHOSPOR BRONZE  
THICKNESS = 0.152
4. CRIMPING SPECIFICATION: CS-87396-001

Au PLATE THICK. (4m MIN.)	CHAIN FORM
0.38	87396-8051
0.75	87396-9051

<b>EDIT NOTE 2</b> EC NO: S2016-0100 DRWG:GMENARLY 2015/07/13 CHKD:SCHEONG 2016/02/17 APPR:KHL IM 2016/02/21	QUALITY SYMBOLS F <sub>A</sub> =0 F <sub>B</sub> =0 F <sub>C</sub> =0	GENERAL TOLERANCES (UNLESS SPECIFIED)		DIMENSION STYLE <b>MM ONLY</b>		SCALE NTS	DESIGN UNITS METRIC	THIRD ANGLE PROJECTION	
		4 PLACES	± ---	± ---	DRAWN BY GMENARLY	DATE 2006/12/27	TITLE MILLI-GRID, 2.0MM GRID W-T-B CONNECTOR CRIMP TERMINAL		
		3 PLACES	± ---	± ---	CHECKED BY MLONG	DATE 2007/01/16			
		2 PLACES	± 0.2	± ---	APPROVED BY MLONG	DATE 2010/10/04	MATERIAL NO. SEE TABLE	DOCUMENT NO. SD-87396-001	SHEET NO. 1 OF 1
1 PLACE	± ---	± ---	ANGULAR ± 3 °		THIS DRAWING CONTAINS INFORMATION THAT IS PROPRIETARY TO MOLEX INCORPORATED AND SHOULD NOT BE USED WITHOUT WRITTEN PERMISSION				
DRAFT WHERE APPLICABLE MUST REMAIN WITHIN DIMENSIONS									

9 8 7 6 5 4 3 2 1