

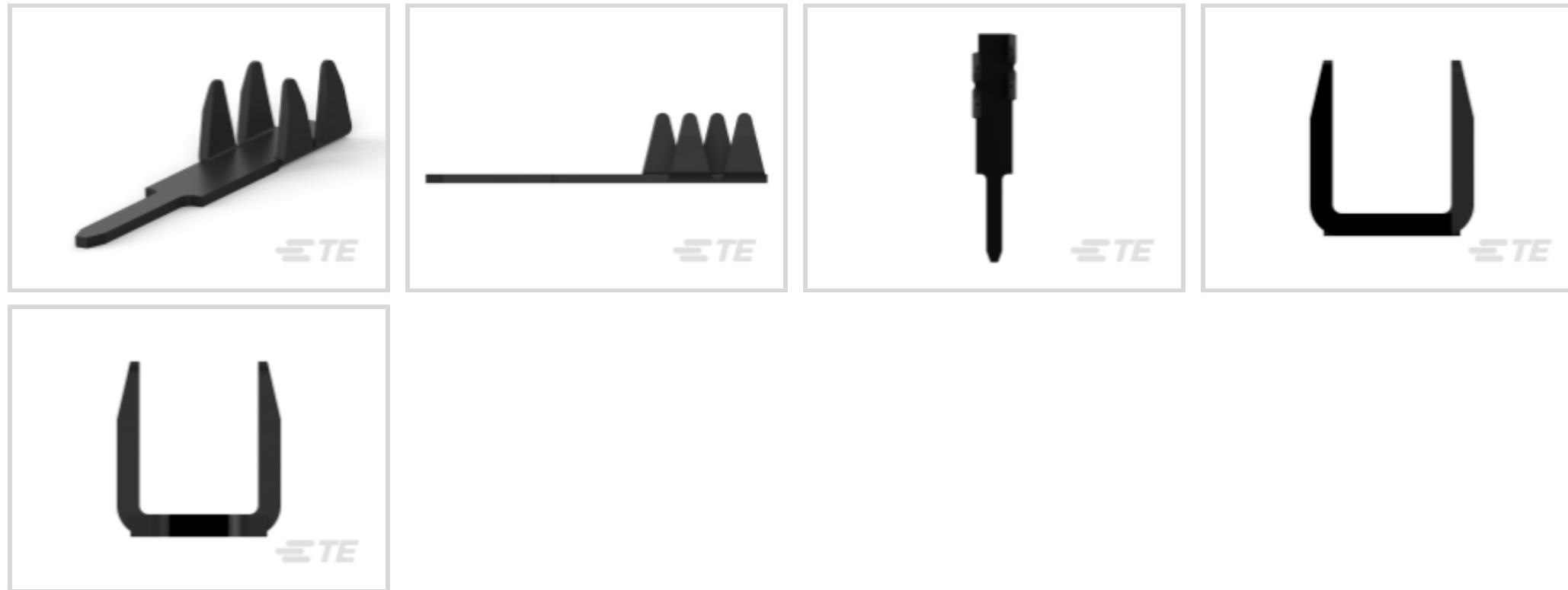


TE Internal #: 88997-2
 FFC Contacts, Cable-to-Cable, 2.54 mm [.1 in] Centerline, FFC, Pin, Tin-Lead, Reel, Solder Tab, Wire & Cable, 2 A, Signal, Cable Mount (Free-Hanging)

[View on TE.com >](#)

Connectors > PCB Connectors > Wire-to-Board Connectors > FFC, FPC & Ribbon Connectors > FFC Contacts >

2.54mm FFC Connectors Pin Contacts



Connector System: **Cable-to-Cable**

Centerline (Pitch): **2.54 mm [.1 in]**

Compatible With Wire & Cable Type: **FFC**

Contact Type: **Pin**

Contact Mating Area Plating Material: **Tin-Lead**

[All 2.54mm FFC Connectors Pin Contacts \(34\)](#)

Features

Product Type Features

Connector System	Cable-to-Cable
Sealable	No
Connector & Contact Terminates To	Wire & Cable

Configuration Features

Compatible With Wire & Cable Type	FFC
-----------------------------------	-----

Contact Features

	150 μm
Contact Mating Area Plating Material Finish	Bright
Contact Underplating Material	Nickel
PCB Contact Termination Area Plating Material	Tin-Lead
Contact Base Material	Phosphor Bronze
Contact Type	Pin



Contact Mating Area Plating Material	Tin-Lead
--------------------------------------	----------

Contact Current Rating (Max)	2 A
------------------------------	-----

Termination Features

Termination Method to Wire & Cable	Solder Tab
------------------------------------	------------

Mechanical Attachment

Connector Mounting Type	Cable Mount (Free-Hanging)
-------------------------	----------------------------

Housing Features

Centerline (Pitch)	2.54 mm [.1 in]
--------------------	-----------------

Dimensions

Accepts Conductor Width	1.27 mm [.05 in]
-------------------------	------------------

Usage Conditions

Operating Temperature Range	-65 – 105 °C [-85 – 221 °F]
-----------------------------	-----------------------------

Operation/Application

Circuit Application	Signal
---------------------	--------

Packaging Features

Packaging Method	Reel
------------------	------

Other

Comment	Recommended hole size for solder tabs is 0.79-0.89 [.031-.035] diameter.
---------	--

Product Compliance

[For compliance documentation, visit the product page on TE.com>](#)

EU RoHS Directive 2011/65/EU	Not Compliant
------------------------------	---------------

EU ELV Directive 2000/53/EC	Not Compliant
-----------------------------	---------------

China RoHS 2 Directive MIIT Order No 32, 2016	Restricted Materials Above Threshold
---	--------------------------------------

EU REACH Regulation (EC) No. 1907/2006	<p>Current ECHA Candidate List: JUNE 2022 (224)</p> <p>Candidate List Declared Against: JAN 2022 (223)</p> <p>SVHC > Threshold:</p> <p>Pb (13% in Component Part)</p> <p>Article Safe Usage Statements: Do not eat, drink or smoke when using this product. Wash thoroughly after handling. Recycle if possible and dispose of the article by following all applicable governmental regulations relevant to your geographic location.</p>
--	---

Halogen Content	Low Halogen - Br, Cl, F, I < 900 ppm per homogenous material. Also BFR/CFR/PVC
-----------------	--

Free

Solder Process Capability

Reflow solder capable to 260°C

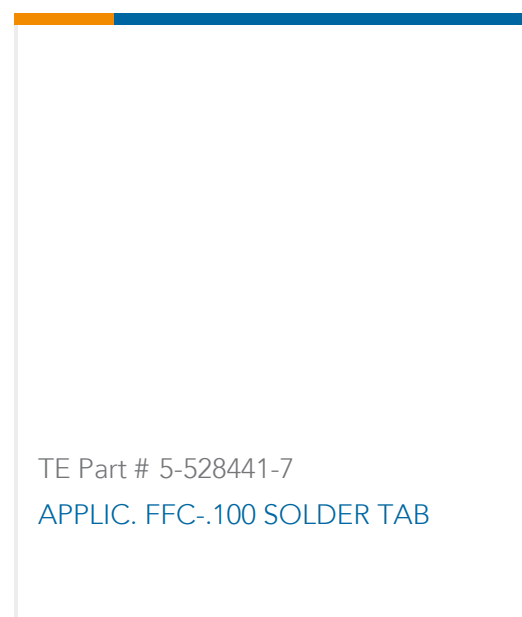
Product Compliance Disclaimer

This information is provided based on reasonable inquiry of our suppliers and represents our current actual knowledge based on the information they provided. This information is subject to change. The part numbers that TE has identified as EU RoHS compliant have a maximum concentration of 0.1% by weight in homogenous materials for lead, hexavalent chromium, mercury, PBB, PBDE, DBP, BBP, DEHP, DIBP, and 0.01% for cadmium, or qualify for an exemption to these limits as defined in the Annexes of Directive 2011/65/EU (RoHS2). Finished electrical and electronic equipment products will be CE marked as required by Directive 2011/65/EU. Components may not be CE marked. Additionally, the part numbers that TE has identified as EU ELV compliant have a maximum concentration of 0.1% by weight in homogenous materials for lead, hexavalent chromium, and mercury, and 0.01% for cadmium, or qualify for an exemption to these limits as defined in the Annexes of Directive 2000/53/EC (ELV). Regarding the REACH Regulation, the information TE provides on SVHC in articles for this part number is based on the latest European Chemicals Agency (ECHA) 'Guidance on requirements for substances in articles' posted at this URL: <https://echa.europa.eu/guidance-documents/guidance-on-reach>

Compatible Parts



TE Part # 2394880-3
FFC BASE MACHINE MARK II,
ENGLISH



TE Part # 5-528441-7
APPLIC. FFC-.100 SOLDER TAB

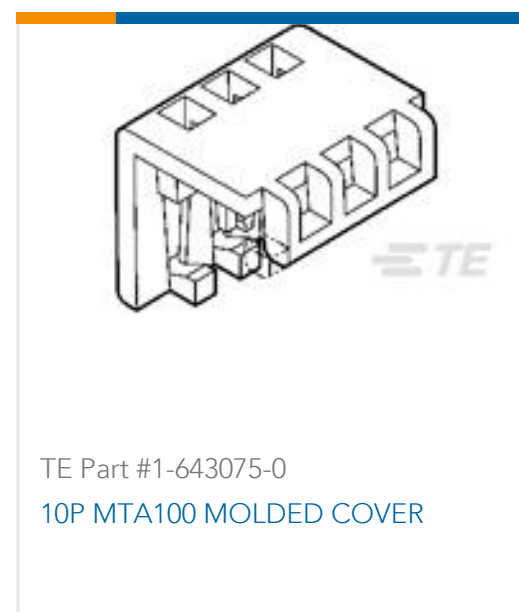
Customers Also Bought



TE Part #4-643813-0
10P MTA100 CONN ASSY POL RIB



TE Part #3-641190-3
03P MTA100 CONN ASSY RED LF



TE Part #1-643075-0
10P MTA100 MOLDED COVER



TE Part #6-1393144-6
K10P-11D55-12=K10/K20



TE Part #5-2176397-0
3502 110R 1%



TE Part #4-2176341-0
CRGCQ 0805 18K 1%



TE Part #5-104071-7
04 SYSTEM 50 HDR SRST SHRD SN

Documents

Product Drawings



FFC S.TAB 100SNPB RL

English

CAD Files

Customer View Model

[ENG_CVM_CVM_88997-2_BG.2d_dxf.zip](#)

English

3D PDF

3D

Customer View Model

[ENG_CVM_CVM_88997-2_BG.3d_igs.zip](#)

English

Customer View Model

[ENG_CVM_CVM_88997-2_BG.3d_stp.zip](#)

English

By downloading the CAD file I accept and agree to the [Terms and Conditions](#) of use.

Product Specifications

[Application Specification](#)

English

Product Environmental Compliance

[MD_88997-2_06052015521_dmtec](#)

English

[MD_88997-2_06052015521_dmtec](#)

English