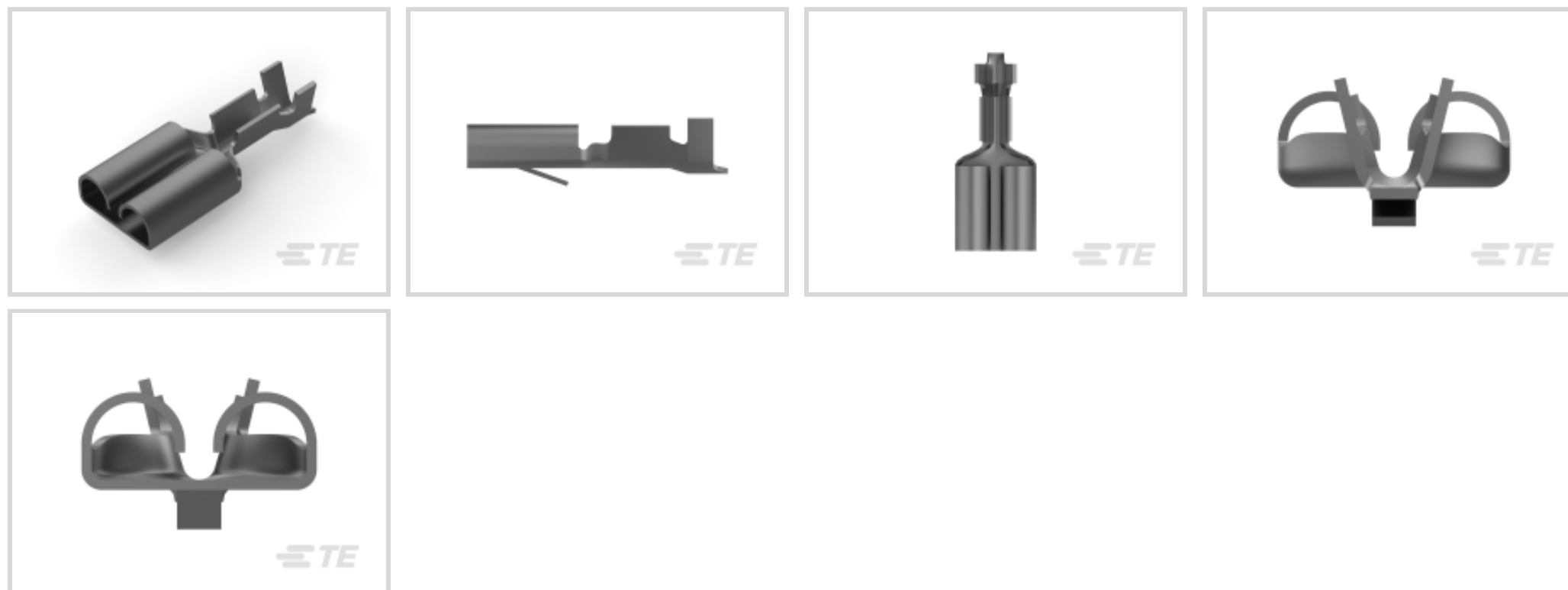




Terminals &amp; Splices &gt; Quick Disconnects

Quick Disconnect Terminal Type: **Receptacle**Wire Size: **.51 – 1.03 mm<sup>2</sup>**Mating Tab Width: **6.35 mm [ .25 in ]**Terminal Orientation: **Straight**

## Features

### Product Type Features

Insertion Force	Normal
Sealable	No

### Contact Features

Quick Disconnect Terminal Type	Receptacle
Mating Tab Width	6.35 mm[.25 in]
Terminal Orientation	Straight
Contact Base Material	Brass
Terminal Plating Material	Tin
Crimp Type	F-Crimp
Barrel Type	Open

### Mechanical Attachment

Wire Insulation Support	With
-------------------------	------

### Dimensions

Accepts Wire Insulation Diameter Range	1.27 – 2.3 mm[.05 – .09 in]
--	-----------------------------



Receptacle Terminal Stock Thickness	.3 mm[.012 in]
-------------------------------------	----------------

Wire Size	.51 – 1.03 mm <sup>2</sup>
-----------	----------------------------

### Usage Conditions

Insulation Option	Uninsulated
-------------------	-------------

### Packaging Features

Packaging Quantity	8000
--------------------	------

Packaging Method	Reel
------------------	------

### Product Compliance

[For compliance documentation, visit the product page on TE.com>](#)

EU RoHS Directive 2011/65/EU	Compliant
------------------------------	-----------

EU ELV Directive 2000/53/EC	Compliant
-----------------------------	-----------

China RoHS 2 Directive MIIT Order No 32, 2016	No Restricted Materials Above Threshold
---	---

EU REACH Regulation (EC) No. 1907/2006	Current ECHA Candidate List: JUNE 2022 (224) Candidate List Declared Against: JAN 2022 (223) SVHC > Threshold: Not Yet Reviewed
--	--

Halogen Content	Low Halogen - Br, Cl, F, I < 900 ppm per homogenous material. Also BFR/CFR/PVC Free
-----------------	---

Solder Process Capability	Not reviewed for solder process capability
---------------------------	--

#### Product Compliance Disclaimer

This information is provided based on reasonable inquiry of our suppliers and represents our current actual knowledge based on the information they provided. This information is subject to change. The part numbers that TE has identified as EU RoHS compliant have a maximum concentration of 0.1% by weight in homogenous materials for lead, hexavalent chromium, mercury, PBB, PBDE, DBP, BBP, DEHP, DIBP, and 0.01% for cadmium, or qualify for an exemption to these limits as defined in the Annexes of Directive 2011/65/EU (RoHS2). Finished electrical and electronic equipment products will be CE marked as required by Directive 2011/65/EU. Components may not be CE marked. Additionally, the part numbers that TE has identified as EU ELV compliant have a maximum concentration of 0.1% by weight in homogenous materials for lead, hexavalent chromium, and mercury, and 0.01% for cadmium, or qualify for an exemption to these limits as defined in the Annexes of Directive 2000/53/EC (ELV). Regarding the REACH Regulation, the information TE provides on SVHC in articles for this part number is based on the latest European Chemicals Agency (ECHA) 'Guidance on requirements for substances in articles' posted at this URL: <https://echa.europa.eu/guidance-documents/guidance-on-reach>

### Compatible Parts




TE Part # 626094-2  
FF .250 REC 0.5 /1.0 MM2 0.32X19.3  
TPBR



TE Part # 2-2150844-1  
OCEAN\_2.0\_Applicator-E-070F1000V



TE Part # 2-2150844-2  
OCEAN\_2.0\_Applicator-E-070F1000V



TE Part # 2150844-1  
OCEAN\_2.0\_Applicator-E-070F1000V



TE Part # 2150844-2  
OCEAN\_2.0\_Applicator-E-070F1000V



TE Part # 444406-1  
REC. 110 SERIES FATIN-ON

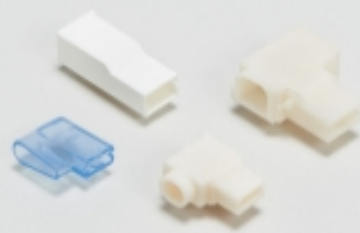


TE Part # 626094-1  
TERMINAL, .250 FASTIN-ON REC




TE Part # 7-2150844-7  
OCEAN\_2.0\_SPARE\_PART\_KIT-070F1000V


Also in the Series | **FASTIN-FASTON 250**



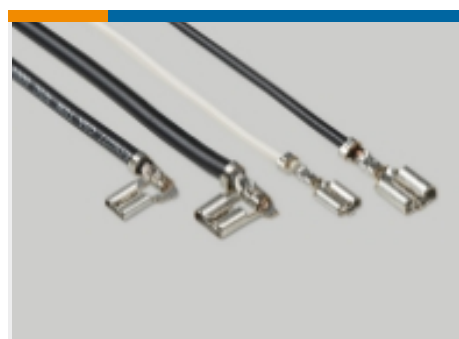
Crimp Terminal Housings(218)



Insertion & Extraction Tools(2)



PCB Terminals(2)



Quick Disconnects(255)

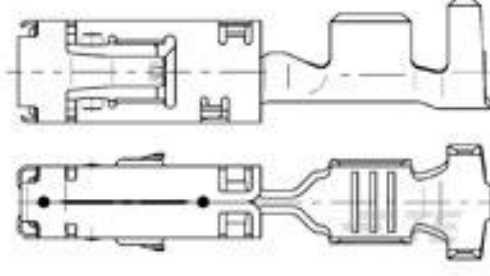
Customers Also Bought



TE Part #1-1718491-1  
1.5/2.8MMTAB HSG 25POS ASSY



TE Part #963709-2  
SPT REC 6.3 Contact SRC Sn



TE Part #967543-2  
SENS FLA-KONT 2,8



TE Part #282533-2  
TIMER, CONNECTOR HOUSING




TE Part #1534222-1  
MQS COVER 2X16P



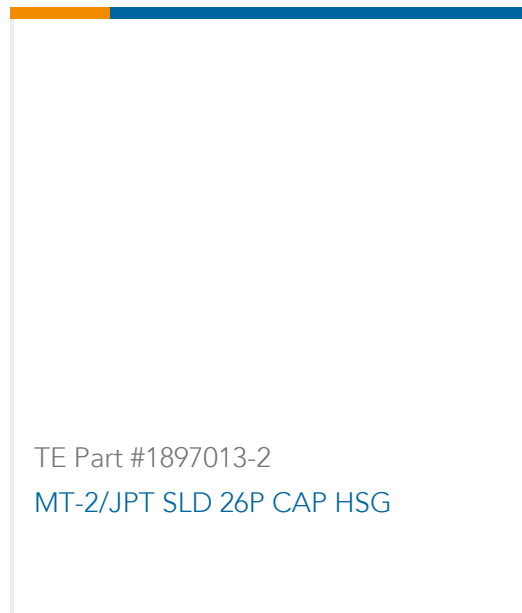
TE Part #2304643-2  
38POS, HYBRID, REC HSG ASSY, SLD



TE Part #344074-1  
4 WAY TAB HSG.



TE Part #936429-2  
HYBRID 42P CAP ASSY BLK



## Documents

### Product Drawings

[FF 250 REC 0.50-1.00 MM2 0.32X19.3 TPBR](#)

English

### CAD Files

[3D PDF](#)

3D

Customer View Model

[ENG\\_CVM\\_CVM\\_880675-2\\_A1.2d\\_dxf.zip](#)

English

Customer View Model

[ENG\\_CVM\\_CVM\\_880675-2\\_A1.3d\\_igs.zip](#)

English

Customer View Model

[ENG\\_CVM\\_CVM\\_880675-2\\_A1.3d\\_stp.zip](#)

English

By downloading the CAD file I accept and agree to the [Terms and Conditions](#) of use.