

770854-1 ✓ ACTIVE

AMP | AMPSEAL

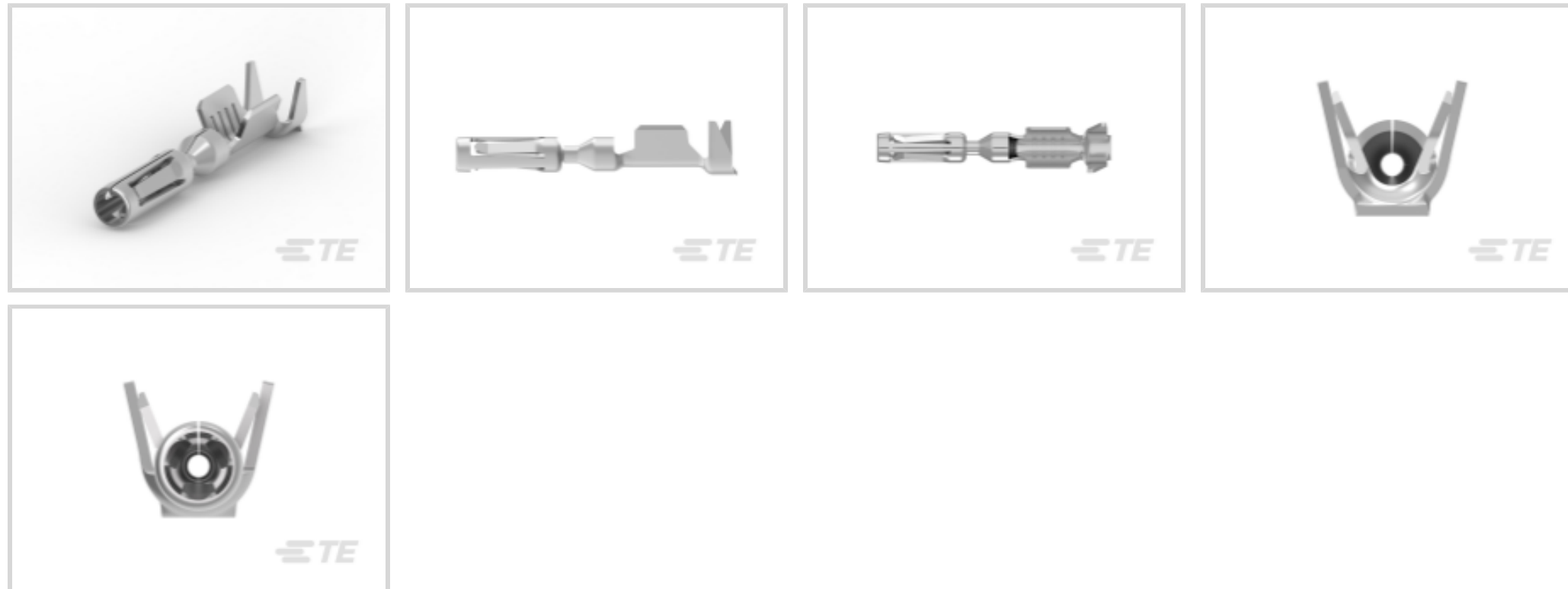
TE Internal #: 770854-1

Automotive Terminals, Socket, Pin Diameter .051 in [1.3 mm], 20 – 15 AWG Wire Size, .5 – 1.5 mm<sup>2</sup> Wire Size, Sealable, Family Seal, AMPSEAL

[View on TE.com >](#)



Terminals & Splices > Automotive Terminals > AMPSEAL Crimp Contacts: 1.3 mm



Terminal Type: **Socket**

Mating Pin Diameter: **1.3 mm [ .051 in ]**

Terminal Transmits: **0 – 24 A (Low Power)**

Wire Size: **.5 – 1.5 mm<sup>2</sup>**

[All AMPSEAL Crimp Contacts: 1.3 mm \(8\)](#)

## Features

### Product Type Features

Receptacle Style	180°
Sealable	Yes

### Body Features

Terminal Seal Type	Family Seal
--------------------	-------------

### Contact Features

Contact Size	1.3mm
Contact Fabrication	Stamped & Formed
Typical Current Rating	17 A
Crimp Type	F-Crimp
Terminal Type	Socket
Mating Pin Diameter	1.3 mm[.051 in]
Interface Plating	Tin (Sn)

### Termination Features



Termination Method to Wire & Cable	Crimp
Product Terminates To	Wire

### Dimensions

Wire Size	.5 – 1.5 mm <sup>2</sup>
Wire Size Search	15 AWG, 16 AWG, 17 AWG, 18 AWG, 19 AWG, 20 AWG
Wire Insulation Diameter	1.7 – 2.7 mm [.067 – .106 in]

### Usage Conditions

Insulation Option	Uninsulated
Operating Temperature (Max)	80 °C, 85 °C, 90 °C, 100 °C, 105 °C, 110 °C, 120 °C, 125 °C [176 °F][185 °F][194 °F][212 °F][221 °F][230 °F][248 °F][257 °F]
Operating Temperature Range	-40 – 125 °C [-40 – 257 °F]

### Packaging Features

Packaging Method	Package
Packaging Quantity	1000

### Other

Terminal Transmits	0 – 24 A (Low Power)
--------------------	----------------------

## Product Compliance

[For compliance documentation, visit the product page on TE.com>](#)

EU RoHS Directive 2011/65/EU	Compliant
EU ELV Directive 2000/53/EC	Compliant
China RoHS 2 Directive MIIT Order No 32, 2016	No Restricted Materials Above Threshold
EU REACH Regulation (EC) No. 1907/2006	Current ECHA Candidate List: JUNE 2022 (224) Candidate List Declared Against: JAN 2022 (223) SVHC > Threshold: Not Yet Reviewed
Halogen Content	Low Halogen - Br, Cl, F, I < 900 ppm per homogenous material. Also BFR/CFR/PVC Free
Solder Process Capability	Not reviewed for solder process capability

Product Compliance Disclaimer



This information is provided based on reasonable inquiry of our suppliers and represents our current actual knowledge based on the information they provided. This information is subject to change. The part numbers that TE has identified as EU RoHS compliant have a maximum concentration of 0.1% by weight in homogenous materials for lead, hexavalent chromium, mercury, PBB, PBDE, DBP, BBP, DEHP, DIBP, and 0.01% for cadmium, or qualify for an exemption to these limits as defined in the Annexes of Directive 2011/65/EU (RoHS2). Finished electrical and electronic equipment products will be CE marked as required by Directive 2011/65/EU. Components may not be CE marked. Additionally, the part numbers that TE has identified as EU ELV compliant have a maximum concentration of 0.1% by weight in homogenous materials for lead, hexavalent chromium, and mercury, and 0.01% for cadmium, or qualify for an exemption to these limits as defined in the Annexes of Directive 2000/53/EC (ELV). Regarding the REACH Regulation, the information TE provides on SVHC in articles for this part number is based on the latest European Chemicals Agency (ECHA) 'Guidance on requirements for substances in articles' posted at this URL: <https://echa.europa.eu/guidance-documents/guidance-on-reach>

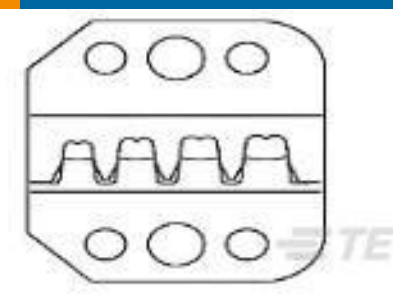
## Compatible Parts



TE Part # CAT-AM78-CH8172  
AMPSEAL Receptacle Housings



TE Part # 58529-1  
PRO-CRIMPER III TOOL AMPSEAL




TE Part # 58529-2  
PROCrimp DIE AMPSEAL



TE Part # 2217748-1  
CCII AMPSEAL CONT 20-16 ASSY


## Also in the Series | AMPSEAL




Automotive Connector Caps & Covers (7)




Automotive Connector Locks & Position Assurance(1)



Automotive Housings(31)



Automotive Seals & Cavity Plugs(1)

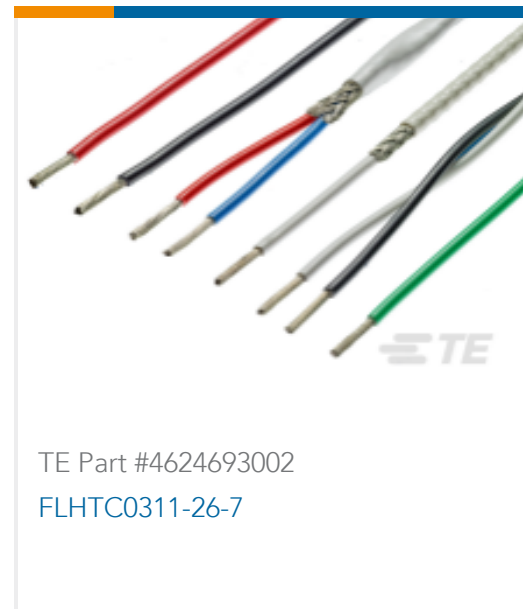


Automotive Terminals(8)



PCB Headers & Receptacles(72)

## Customers Also Bought



## Documents

### Product Drawings

[CONTACT, AMPSEAL SN/LP](#)

English

### CAD Files

Customer View Model

[ENG\\_CVM\\_770854-1\\_O1.3d\\_igs.zip](#)

English

Customer View Model

[ENG\\_CVM\\_770854-1\\_O1.3d\\_stp.zip](#)

English

Customer View Model

[ENG\\_CVM\\_770854-1\\_O1.2d\\_dxf.zip](#)

English

### 3D PDF

English

By downloading the CAD file I accept and agree to the [Terms and Conditions](#) of use.

### Datasheets & Catalog Pages

[AMPSEAL Connector Catalog](#)

English

[ICT Terminals and Connectors Catalogue](#)

English

[CONNECTOR SELECTOR](#)

English

### Product Specifications



### Application Specification

English

---

### Product Environmental Compliance

#### Product Compliance

English

#### Product Compliance

English