

796636-7 ✓ ACTIVE

Buchanan

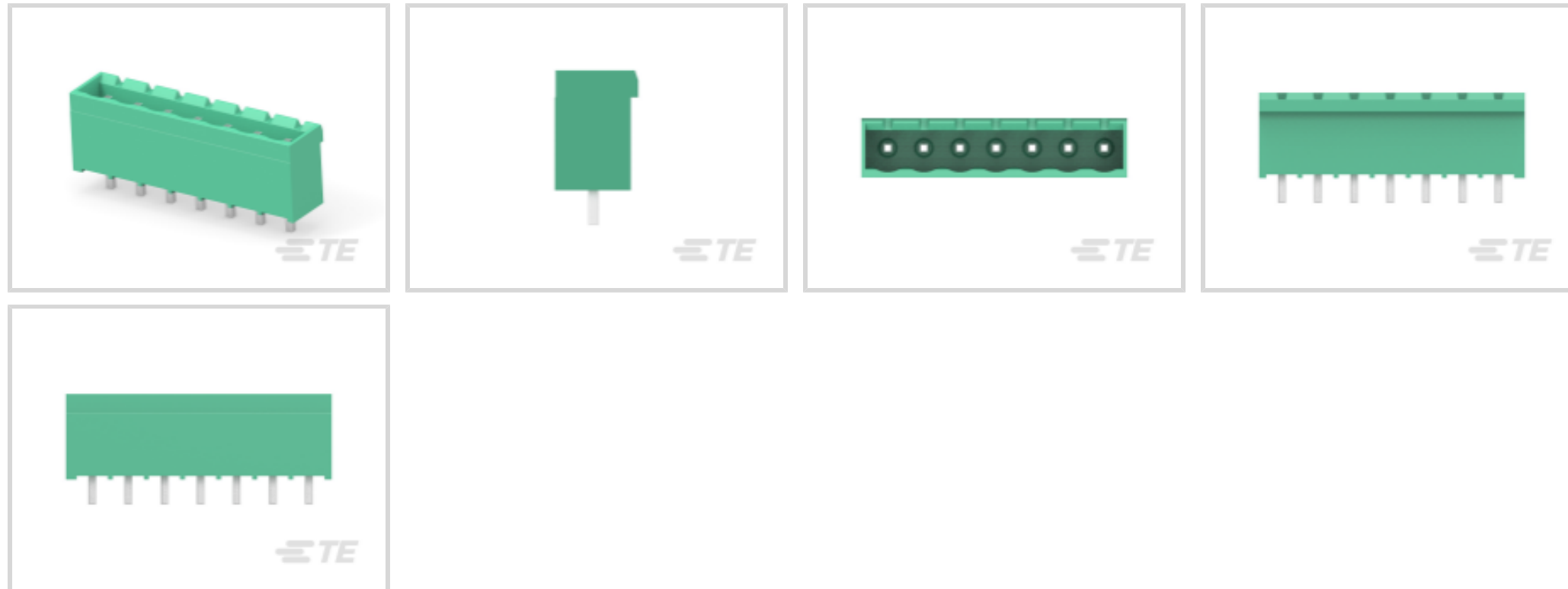
TE Internal #: 796636-7

PCB Terminal Blocks, Header, Wire-to-Board, 7 Position, .2 in [5.08 mm] Centerline, 1 Row, 30 – 12 AWG Wire Size, .05 – 3 mm² Wire Size, 15 A, 300 VAC

[View on TE.com >](#)



Connectors > Terminal Blocks & Strips > PCB Terminal Blocks



Terminal Block Connector Type: **Header**

Connector System: **Wire-to-Board**

Number of Positions: **7**

Centerline (Pitch): **5.08 mm [.2 in]**

Number of Rows: **1**

Features

Product Type Features

Block Type	PCB Mount
Header Type	Fully Shrouded
Terminal Block Connector Type	Header
Connector System	Wire-to-Board
Connector & Contact Terminates To	Printed Circuit Board

Configuration Features

Threaded Flange	Without
Closed End	With
Number of Positions	7
Number of Rows	1

Electrical Characteristics

Current Rating (Max)	15 A
Voltage Rating	300 VAC

Body Features



Interlock	Without
-----------	---------

Contact Features

Contact Mating Area Plating Material	Tin
Contact Mount	Through Hole
Contact Base Material	Copper Magnesium
Contact Current Rating (Max)	15 A

Mechanical Attachment

Mating Angle	270° (Top)
Screwless Terminal Block	No
Mounting Angle	Vertical
Screw Flange	Without
Connector Mounting Type	Board Mount

Housing Features

Housing Color	Green
Housing Material	PA 66
Centerline (Pitch)	5.08 mm [.2 in]

Dimensions

PCB Tail Length	3.5 mm [.138 in]
Wire Size	.05 – 3 mm ²

Usage Conditions

Operating Temperature Range	-40 – 105 °C [-40 – 221 °F]
-----------------------------	-----------------------------

Operation/Application

Circuit Application	Power & Signal
---------------------	----------------

Packaging Features

Packaging Method	Box
Packaging Quantity	100

Product Compliance

[For compliance documentation, visit the product page on TE.com>](#)

EU RoHS Directive 2011/65/EU	Compliant
EU ELV Directive 2000/53/EC	Compliant



China RoHS 2 Directive MIIT Order No 32, 2016	No Restricted Materials Above Threshold
EU REACH Regulation (EC) No. 1907/2006	Current ECHA Candidate List: JUNE 2022 (224) Candidate List Declared Against: JUL 2021 (219) SVHC > Threshold: Not Yet Reviewed
Halogen Content	Low Halogen - Br, Cl, F, I < 900 ppm per homogenous material. Also BFR/CFR/PVC Free
Solder Process Capability	Wave solder capable to 240°C

Product Compliance Disclaimer

This information is provided based on reasonable inquiry of our suppliers and represents our current actual knowledge based on the information they provided. This information is subject to change. The part numbers that TE has identified as EU RoHS compliant have a maximum concentration of 0.1% by weight in homogenous materials for lead, hexavalent chromium, mercury, PBB, PBDE, DBP, BBP, DEHP, DIBP, and 0.01% for cadmium, or qualify for an exemption to these limits as defined in the Annexes of Directive 2011/65/EU (RoHS2). Finished electrical and electronic equipment products will be CE marked as required by Directive 2011/65/EU. Components may not be CE marked. Additionally, the part numbers that TE has identified as EU ELV compliant have a maximum concentration of 0.1% by weight in homogenous materials for lead, hexavalent chromium, and mercury, and 0.01% for cadmium, or qualify for an exemption to these limits as defined in the Annexes of Directive 2000/53/EC (ELV). Regarding the REACH Regulation, the information TE provides on SVHC in articles for this part number is based on the latest European Chemicals Agency (ECHA) 'Guidance on requirements for substances in articles' posted at this URL: <https://echa.europa.eu/guidance-documents/guidance-on-reach>

Compatible Parts

 <p>TE Part # 284047-7 TERMI-BLOK VERTICAL PLUG STACK</p>	 <p>TE Part # 284041-7 TERMINAL BLOCK VERTICAL PLUG S</p>	 <p>TE Part # 796634-7 7 POS 5.08MM R/A PLUG,TRM BLK</p>	 <p>TE Part # 1546111-7 EUROSTYLE TB,HEADER,GREY,7 POS</p>
 <p>TE Part # 1986262-7 7 POS PLUG SPRING CONN, PITCH 5.08</p>	 <p>TE Part # 4-796634-0 TERMI-BLOK PLUG STACKING 7P.5</p>	 <p>TE Part # 796635-7 7 POS 5.08MM R/A PLUG,TRM BLK</p>	

Customers Also Bought



TE Part #215875-1
4/4 PCB MOD.JACK SE



TE Part #58433-3
PRO CR ASSY, RBY IS9252



TE Part #5557786-1
MJ,8POS,R/A,SHLD,PCB GD



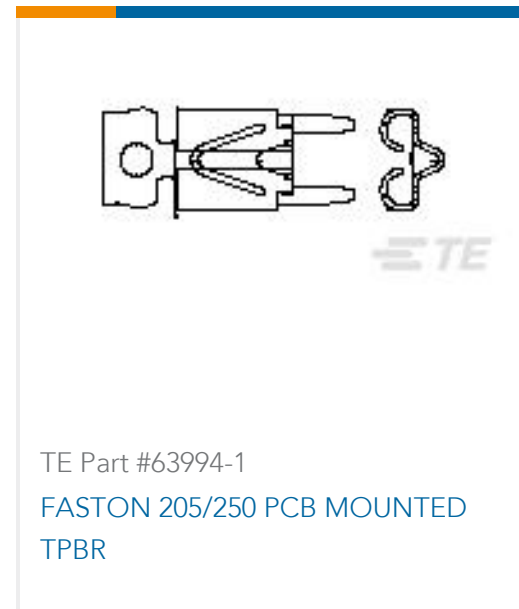
TE Part #63862-1
250 FASTON TAB TPBR



TE Part #1-1393194-9
T77V1D10-12



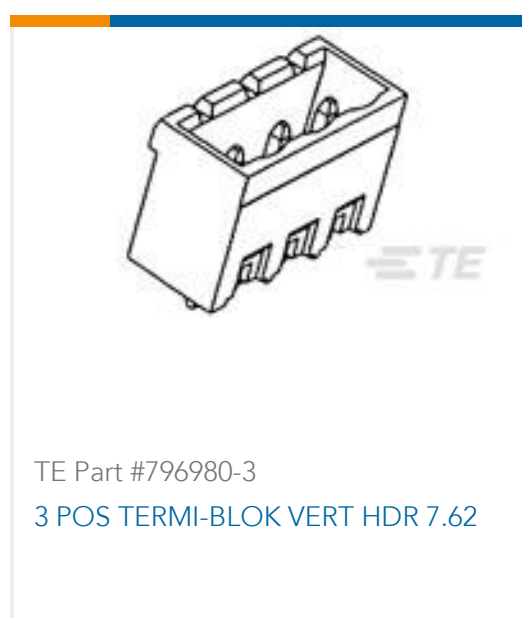
TE Part #175193-1
187 PL EX FLAG REC. 22-16AWG PTBR



TE Part #63994-1
FASTON 205/250 PCB MOUNTED
TPBR



TE Part #1761028-5
100 50SR R/A RCPT ASSY,LEADFREE
TPBR



TE Part #796980-3
3 POS TERMI-BLOK VERT HDR 7.62

Documents

Product Drawings

[7POS 5.08MM CE VRT HDR,TRM BLK](#)

English

CAD Files

Customer View Model

[ENG_CVM_CVM_796636-7_B.2d_dxf.zip](#)

English

3D PDF

3D

Customer View Model

[ENG_CVM_CVM_796636-7_B.3d_igs.zip](#)

English

Customer View Model

[ENG_CVM_CVM_796636-7_B.3d_stp.zip](#)

English

By downloading the CAD file I accept and agree to the [Terms and Conditions](#) of use.

Datasheets & Catalog Pages



[BUCHANAN TERMINAL BLOCKS CATALOG - EUROSTYLE TERMINAL BLOCKS](#)

English

[BUCHANAN PCB TERMINAL BLOCKS](#)

English

[1-1773458-1_EURO_STYLE_TERMINAL_BLOCKS_QRG](#)

English

[Product Specifications](#)

[Application Specification](#)

English

[Product Environmental Compliance](#)

[MD_796636-7_10092015335_dmtec](#)

English

[MD_796636-7_10092015335_dmtec](#)

English