



Connectors > Power Connectors > Rectangular Power > Rectangular Power Connectors

Rectangular Power Connector Type: **Housing**Connector & Housing Type: **Receptacle**Connector System: **Wire-to-Wire**Number of Positions: **3**Centerline (Pitch): **9.91 mm [.39 in]**

Features

Product Type Features

Rectangular Power Connector Type	Housing
Connector & Housing Type	Receptacle
Connector System	Wire-to-Wire
Sealable	No
Connector & Contact Terminates To	Wire & Cable

Configuration Features

Number of Positions	3
Number of Rows	1

Electrical Characteristics

Operating Voltage	600 VAC
-------------------	---------

Contact Features

Contact Layout	Inline
Contact Retention Within Housing	Without
Contact Type	Pin



Termination Features

Termination Method to Wire & Cable	Crimp
------------------------------------	-------

Mechanical Attachment

Connector Mounting Type	Cable Mount (Free-Hanging)
-------------------------	----------------------------

Housing Features

Centerline (Pitch)	9.91 mm [.39 in]
Housing Color	Natural
Housing Material	Nylon

Dimensions

.43 in

Usage Conditions

Operating Temperature Range	-55 – 105 °C [-67 – 221 °F]
-----------------------------	-----------------------------

Operation/Application

Circuit Application	Power & Signal
---------------------	----------------

Industry Standards

UL Flammability Rating	UL 94V-2
Glow Wire Rating	Standard Part - Not Glow Wire

Packaging Features

Packaging Method	Package
Packaging Quantity	1

Product Compliance

[For compliance documentation, visit the product page on TE.com>](#)

EU RoHS Directive 2011/65/EU	Compliant
EU ELV Directive 2000/53/EC	Compliant
China RoHS 2 Directive MIIT Order No 32, 2016	No Restricted Materials Above Threshold
EU REACH Regulation (EC) No. 1907/2006	Current ECHA Candidate List: JUNE 2022 (224) Candidate List Declared Against: JAN 2022 (223) SVHC > Threshold: Not Yet Reviewed
Halogen Content	Low Halogen - Br, Cl, F, I < 900 ppm per



homogenous material. Also BFR/CFR/PVC Free

Solder Process Capability

Not applicable for solder process capability

Product Compliance Disclaimer

This information is provided based on reasonable inquiry of our suppliers and represents our current actual knowledge based on the information they provided. This information is subject to change. The part numbers that TE has identified as EU RoHS compliant have a maximum concentration of 0.1% by weight in homogenous materials for lead, hexavalent chromium, mercury, PBB, PBDE, DBP, BBP, DEHP, DIBP, and 0.01% for cadmium, or qualify for an exemption to these limits as defined in the Annexes of Directive 2011/65/EU (RoHS2). Finished electrical and electronic equipment products will be CE marked as required by Directive 2011/65/EU. Components may not be CE marked. Additionally, the part numbers that TE has identified as EU ELV compliant have a maximum concentration of 0.1% by weight in homogenous materials for lead, hexavalent chromium, and mercury, and 0.01% for cadmium, or qualify for an exemption to these limits as defined in the Annexes of Directive 2000/53/EC (ELV). Regarding the REACH Regulation, the information TE provides on SVHC in articles for this part number is based on the latest European Chemicals Agency (ECHA) 'Guidance on requirements for substances in articles' posted at this URL: <https://echa.europa.eu/guidance-documents/guidance-on-reach>

Compatible Parts



TE Part # 794412-1
03P .156 MNL PLUG HSG



TE Part # 61086-1
.156 MNL PIN 20-14 PTPBR



TE Part # 61234-1
.156 MNL PIN 12-10 PTPBR



TE Part # 1-480361-0
03P AUTO MNL CAP HSG NATL




TE Part # 61251-1
AUTO MNL .156 PIN L/P



TE Part # 61253-1
AUTO MNL .156 PIN L/P


Also in the Series | Commercial MATE-N-LOK




Connector Contacts(26)



Crimp Wire Pins, Tabs & Ferrules(3)



Insertion & Extraction Tools(5)



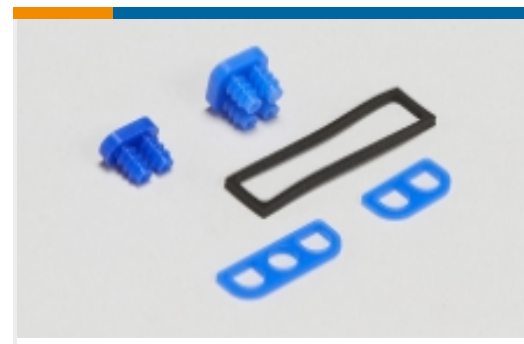
Power Contacts(129)



Rectangular Caps & Covers(2)



Rectangular Connector Housings(17)



Rectangular Connector Seals(1)



Rectangular Power Connectors(170)



Standard Circular Connectors(4)



Standard Rectangular Connectors(10)



Wire-to-Board Connector Contacts(1)

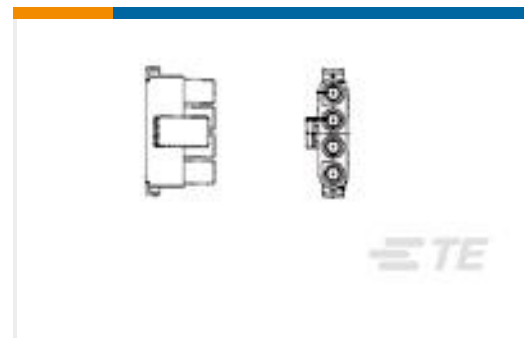
Customers Also Bought



TE Part #1658543-1
SOCKET CONT DUPL PLT LP HD-20



TE Part #T4110402041-000
M12,FEMALE,STRAIGHT,B CODE,4P,
PG9,GOLD



TE Part #794412-1
03P .156 MNL PLUG HSG



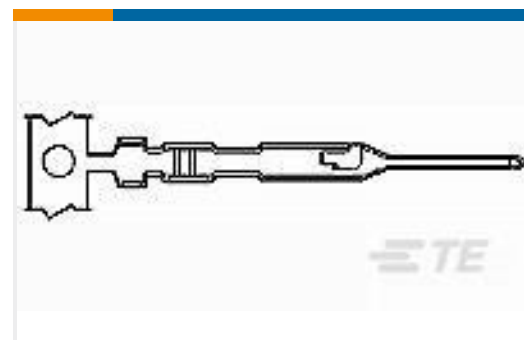
TE Part #61233-1
.156 MNL SOK 12-10 PTPBR



TE Part #1-104257-9
20 MTE RCPT HSG SR LATCH .100



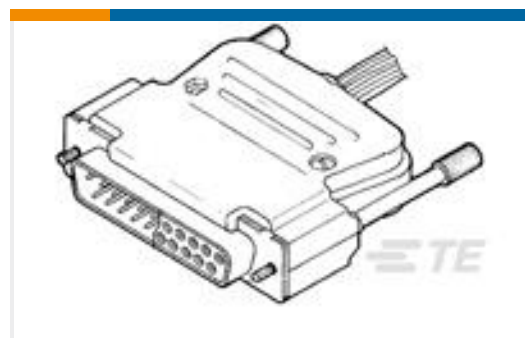
TE Part #1-332057-0
FERRULE COAXICON SUB-MIN



TE Part #5-104506-5
MTE PIN LP



TE Part #1-2176337-2
CRGCQ 0402 82R 1%



TE Part #5745122-2
STR REL ASSY 15 POS SZ 2 AMPLI



TE Part #EM7500-000
X4-1.0-0-SP-SM

Documents



Product Drawings

[03P .156 MNL CAP HSG](#)

English

CAD Files

Customer View Model

[ENG_CVM_794413-1_A.3d_igs.zip](#)

English

Customer View Model

[ENG_CVM_794413-1_A.3d_stp.zip](#)

English

Customer View Model

[ENG_CVM_794413-1_A.2d_dxf.zip](#)

English

3D PDF

English

3D PDF

3D

Customer View Model

[ENG_CVM_CVM_794413-1_B.2d_dxf.zip](#)

English

Customer View Model

[ENG_CVM_CVM_794413-1_B.3d_igs.zip](#)

English

Customer View Model

[ENG_CVM_CVM_794413-1_B.3d_stp.zip](#)

English

By downloading the CAD file I accept and agree to the [Terms and Conditions](#) of use.

Datasheets & Catalog Pages

[SOFT_SHELL_PIN_SOCKET_CONNECTORS_STANDARD_DENSITY](#)

English

Product Specifications

[Application Specification](#)

English

Agency Approvals

[UL Report](#)

English