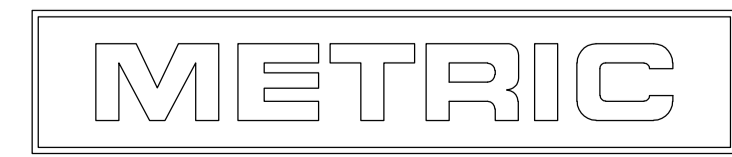
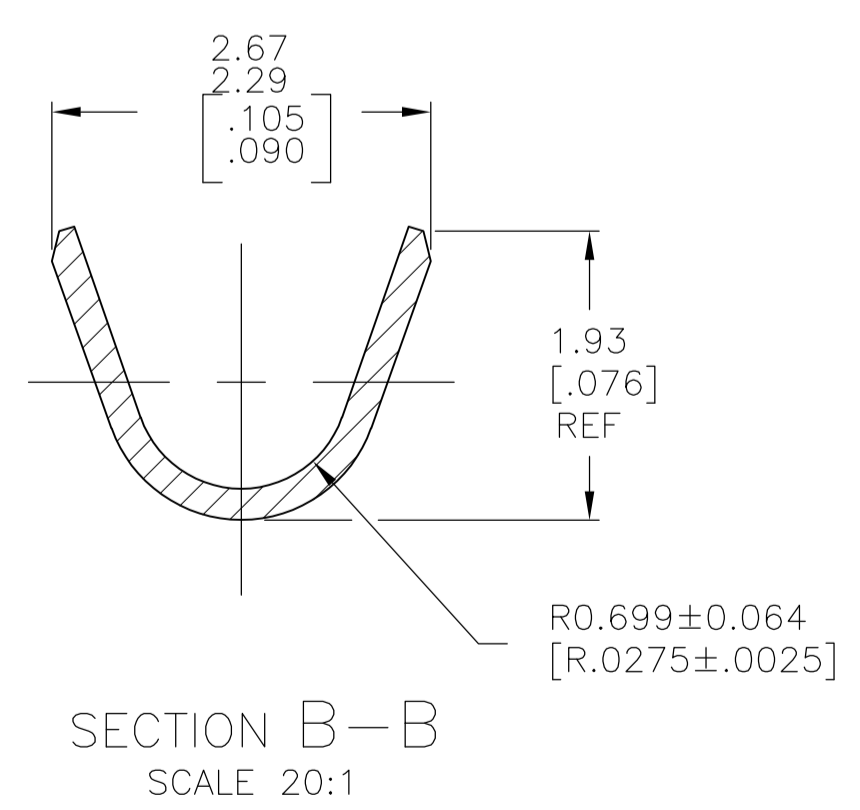
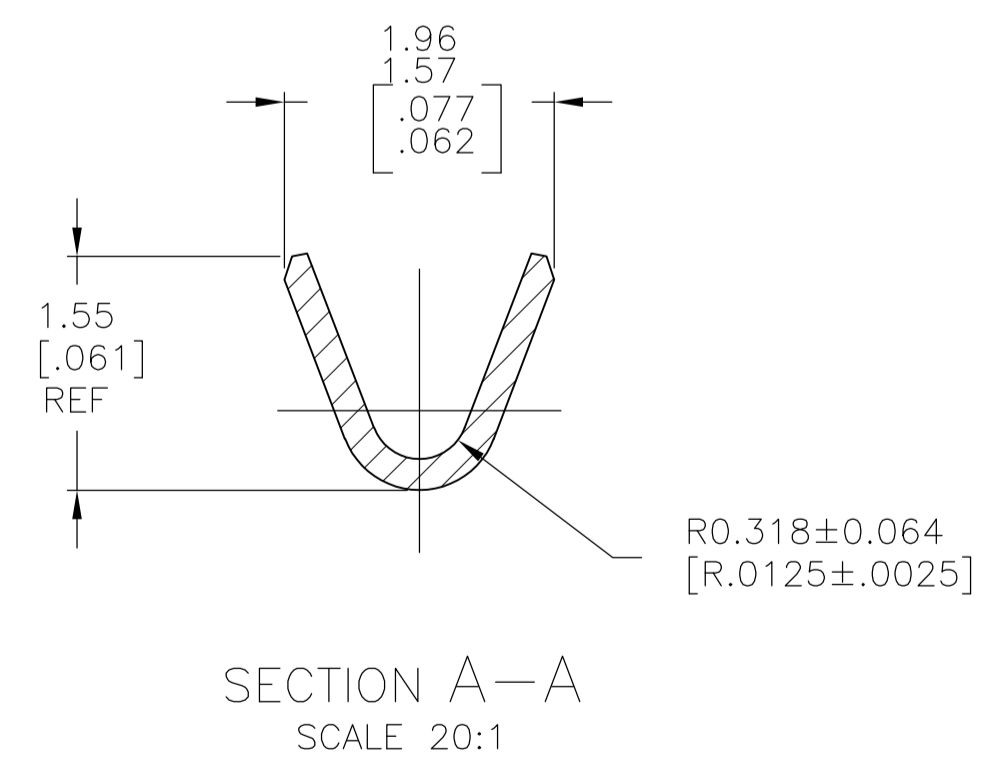
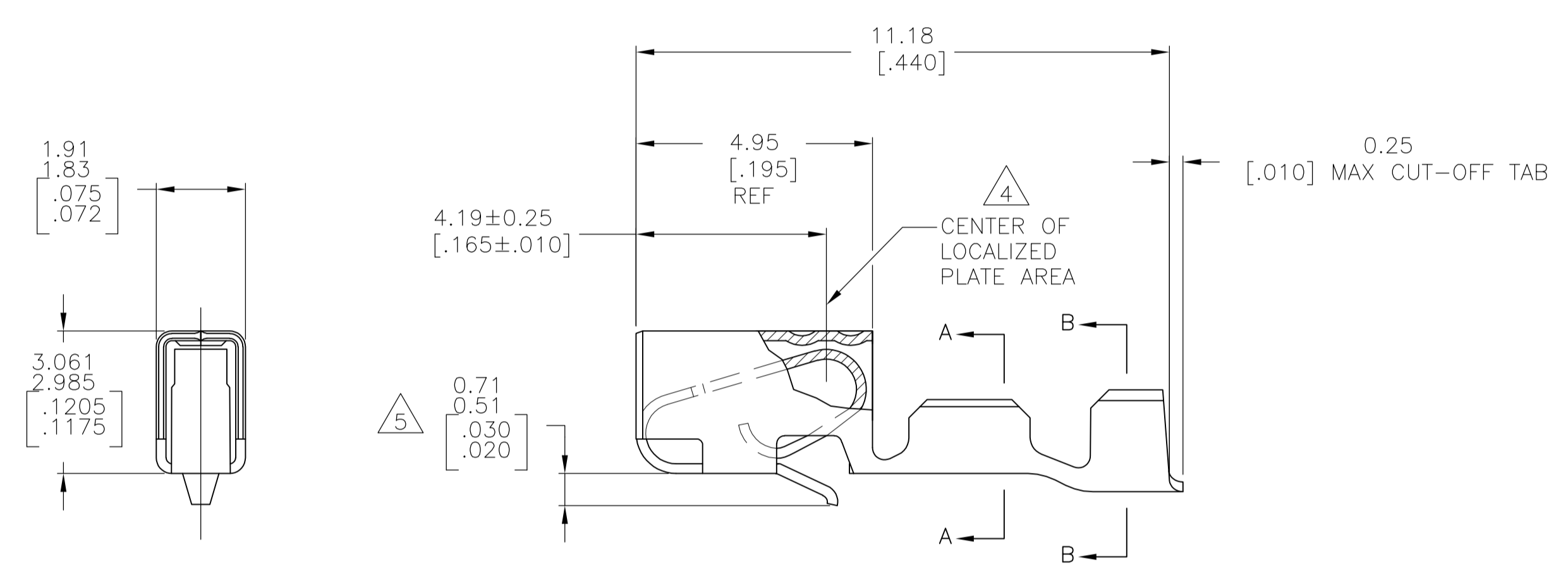


1. WIRE RANGE 0.13-0.35 mm² (26-22 AWG).
 2. INSULATION RANGE: 0.89-1.65 [.035-.065] DIA LARGER SIZES OF 0.68-1.91 [.066-.075] DIA INSULATION REQUIRE WIRE AND CRIMP EVALUATION FROM AMP INCORPATED.
 3. DIMENSIONS IN BRACKETS ARE IN INCHES.
- △4 0.00076 [.000030] MIN THK GOLD STRIPES IN LOCALIZED PLATE AREA ON BEAM AND DIMPLE OVER 0.00127 [.000050] MIN THK NICKEL OVER ENTIRE CONTACT
-OR-
OR GOLD FLASH OVER PALLADIUM-NICKEL STRIPES, .00076 [.000030] MIN THK TOTAL IN LOCALIZED PLATE AREA ON BEAM AND DIMPLE OVER .00127 [.000050] MIN NICKEL OVER ENTIRE CONTACT.
- △5 AFTER PACKAGING AND SHIPMENT, A LANCE HEIGHT 0.46-0.71 [.018-.030] IS PERMISSABLE.



△	770666-2
PRE-TIN	770666-1
FINISH	PART NO.

THIS DRAWING IS A CONTROLLED DOCUMENT.		DIN	T. BECK	01MAR91
DIMENSIONS: mm [INCHES]		CHK	R. SWING	01MAR91
TOLERANCES UNLESS OTHERWISE SPECIFIED:		APVD	D. CLARK	05MAR91
0 PLC	± -	NAME		
1 PLC	± -	RECEPTACLE, CST-100, LOOSE PIECE		
2 PLC	± -	PRODUCT SPEC		
3 PLC	± 0.13 [.005]	APPLICATION SPEC		
4 PLC	± -	RESTRICTED TO		
ANGLES	± -	SIZE	A1	CAGE CODE
MATERIAL	0.19B [.0078] PH BRZ	WEIGHT	---	DRAWING NO
FINISH	SEE TABLE	SCALE	10:1	770666
CUSTOMER DRAWING		SHEET	1 OF 1	REV
		J1		