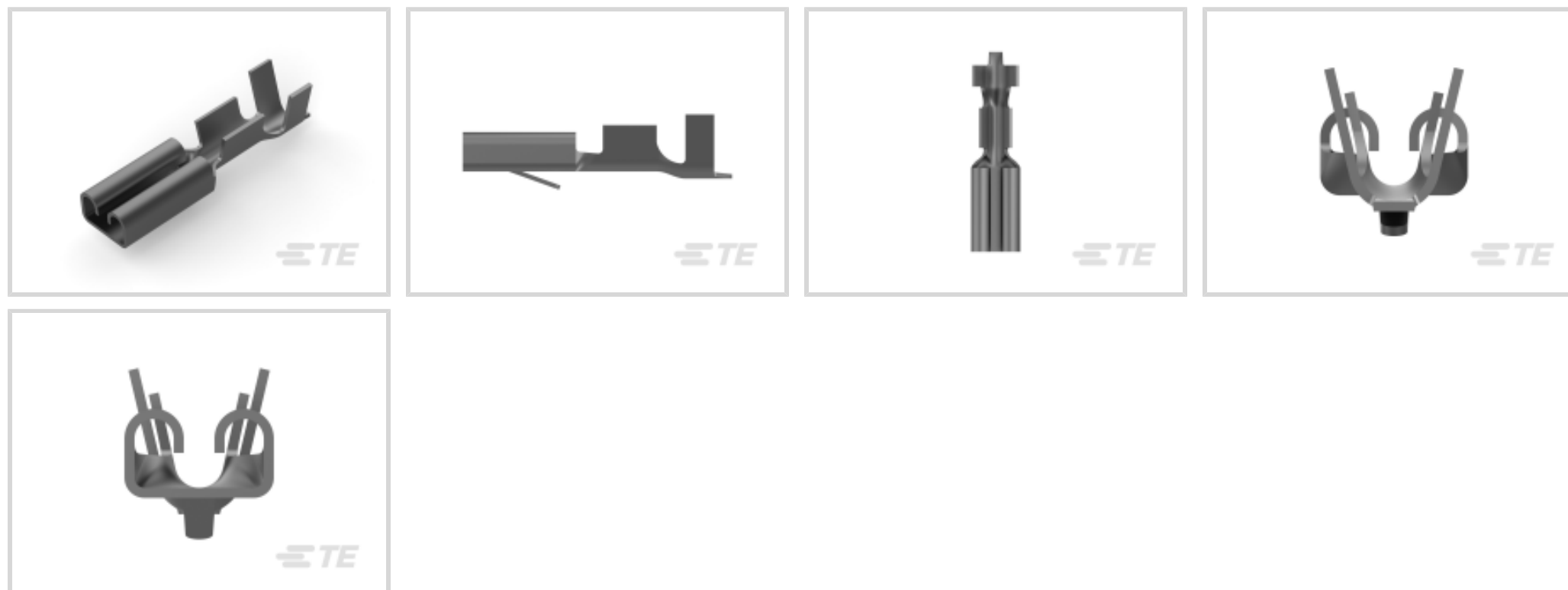




Terminals & Splices > Quick Disconnects

Quick Disconnect Terminal Type: **Receptacle**Wire Size: .51 – 1.03 mm²

Mating Tab Width: 2.8 mm [.11 in]

Mating Tab Thickness: .8 mm [.031 in]

Features

Product Type Features

| | |
|----------|----|
| Sealable | No |
|----------|----|

Contact Features

| | |
|--------------------------------|------------|
| Quick Disconnect Terminal Type | Receptacle |
|--------------------------------|------------|

| | |
|------------------|-----------------|
| Mating Tab Width | 2.8 mm [.11 in] |
|------------------|-----------------|

| | |
|----------------------|-----------------|
| Mating Tab Thickness | .8 mm [.031 in] |
|----------------------|-----------------|

| | |
|----------------------|----------|
| Terminal Orientation | Straight |
|----------------------|----------|

| | |
|-----------------------|-------|
| Contact Base Material | Brass |
|-----------------------|-------|

| | |
|---------------------------|---------|
| Terminal Plating Material | Pre-Tin |
|---------------------------|---------|

| | |
|------------|---------|
| Crimp Type | F-Crimp |
|------------|---------|

| | |
|-------------|------|
| Barrel Type | Open |
|-------------|------|

Mechanical Attachment

| | |
|-------------------------|------|
| Wire Insulation Support | With |
|-------------------------|------|

Dimensions

| | |
|--|--------------------------------|
| Accepts Wire Insulation Diameter Range | 1.4 – 2.31 mm [.055 – .091 in] |
|--|--------------------------------|



| | |
|-------------------------------------|----------------|
| Receptacle Terminal Stock Thickness | .25 mm[.01 in] |
|-------------------------------------|----------------|

| | |
|-----------|----------------------------|
| Wire Size | .51 – 1.03 mm ² |
|-----------|----------------------------|

Usage Conditions

| | |
|-------------------|-------------|
| Insulation Option | Uninsulated |
|-------------------|-------------|

Packaging Features

| | |
|--------------------|-------|
| Packaging Quantity | 15000 |
|--------------------|-------|

| | |
|------------------|-----|
| Packaging Method | Box |
|------------------|-----|

Product Compliance

[For compliance documentation, visit the product page on TE.com>](#)

| | |
|------------------------------|-----------|
| EU RoHS Directive 2011/65/EU | Compliant |
|------------------------------|-----------|

| | |
|-----------------------------|-----------|
| EU ELV Directive 2000/53/EC | Compliant |
|-----------------------------|-----------|

| | |
|---|---|
| China RoHS 2 Directive MIIT Order No 32, 2016 | No Restricted Materials Above Threshold |
|---|---|

| | |
|--|--|
| EU REACH Regulation (EC) No. 1907/2006 | Current ECHA Candidate List: JUNE 2022 (224) Candidate List Declared Against: JAN 2022 (223) SVHC > Threshold: Not Yet Reviewed |
|--|--|

| | |
|-----------------|---|
| Halogen Content | Low Halogen - Br, Cl, F, I < 900 ppm per homogenous material. Also BFR/CFR/PVC Free |
|-----------------|---|

| | |
|---------------------------|--|
| Solder Process Capability | Not reviewed for solder process capability |
|---------------------------|--|

Product Compliance Disclaimer

This information is provided based on reasonable inquiry of our suppliers and represents our current actual knowledge based on the information they provided. This information is subject to change. The part numbers that TE has identified as EU RoHS compliant have a maximum concentration of 0.1% by weight in homogenous materials for lead, hexavalent chromium, mercury, PBB, PBDE, DBP, BBP, DEHP, DIBP, and 0.01% for cadmium, or qualify for an exemption to these limits as defined in the Annexes of Directive 2011/65/EU (RoHS2). Finished electrical and electronic equipment products will be CE marked as required by Directive 2011/65/EU. Components may not be CE marked. Additionally, the part numbers that TE has identified as EU ELV compliant have a maximum concentration of 0.1% by weight in homogenous materials for lead, hexavalent chromium, and mercury, and 0.01% for cadmium, or qualify for an exemption to these limits as defined in the Annexes of Directive 2000/53/EC (ELV). Regarding the REACH Regulation, the information TE provides on SVHC in articles for this part number is based on the latest European Chemicals Agency (ECHA) 'Guidance on requirements for substances in articles' posted at this URL: <https://echa.europa.eu/guidance-documents/guidance-on-reach>

Compatible Parts




TE Part # 160864-2
FF 110 REC TERMINAL 20-17 AWG
PTPB



TE Part # 160684-4
FF 110 REC 0.5-1.0MM2 TPBR



TE Part # 160684-2
FF 110 REC 0.5-1.0MM2 PTPBR



TE Part # 1217281-2
FF 110 REC 24-20AWG TPBR



TE Part # 880634-5
FF 110 REC 0.5-1.0 MM2 0.25 X 12.3
PTPBR



TE Part # 1217321-2
FF 110 REC 18-14AWG TPBR



TE Part # 444406-1
REC. 110 SERIES FATIN-ON



TE Part # 737255-5
FF 110 REC 0.5-1.0MM2 TPBR



TE Part # 880634-1
FF 110 REC 0.5-1.0 MM2 0.25X12.3 BR




TE Part # 880634-3
.110 FASTIN-ON RECE

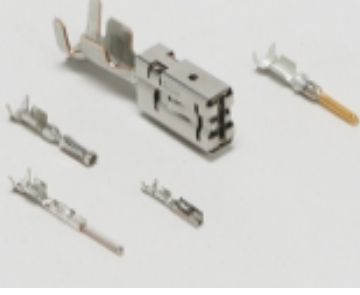


TE Part # 881799-3
.110 SER. FASTIN-ON

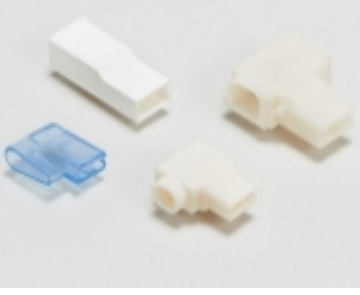
Also in the Series | **FASTIN-FASTON 110**




Automotive Housings(1)




Automotive Terminals(4)



Crimp Terminal Housings(34)

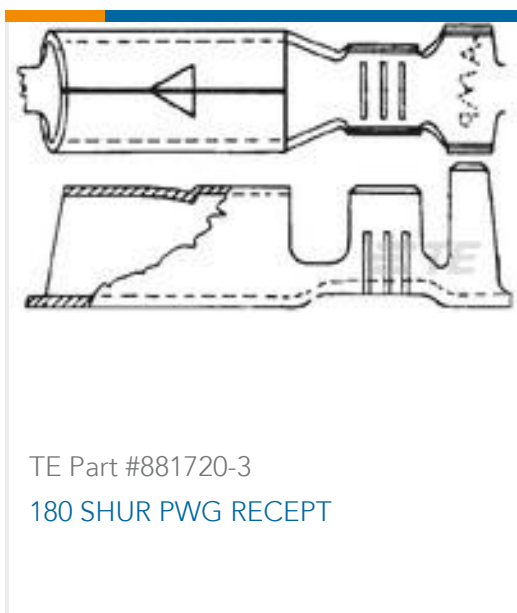
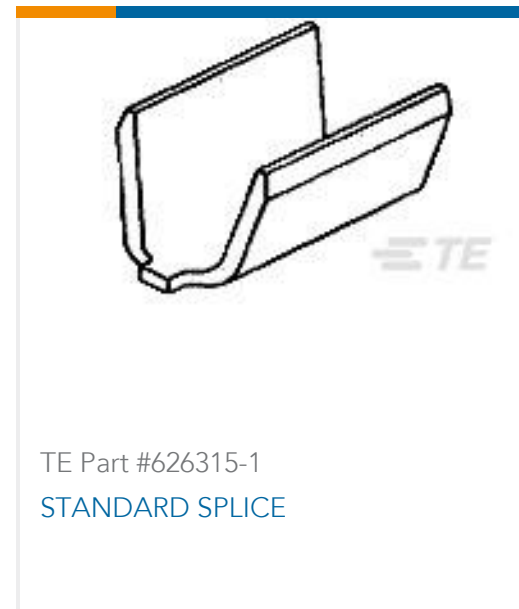
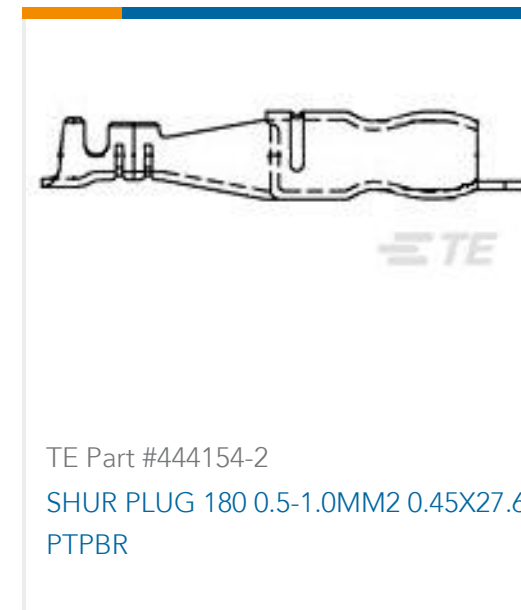


Insertion & Extraction Tools(3)



Quick Disconnects(83)

Customers Also Bought



Documents

Product Drawings

[FASTIN ON .110 REC](#)

English

CAD Files

[3D PDF](#)

3D

Customer View Model

[ENG_CVM_CVM_881799-2_B2.2d_dxf.zip](#)

English

Customer View Model

[ENG_CVM_CVM_881799-2_B2.3d_igs.zip](#)

English

Customer View Model

[ENG_CVM_CVM_881799-2_B2.3d_stp.zip](#)

English

By downloading the CAD file I accept and agree to the [Terms and Conditions](#) of use.