



Connectors > Power Connectors > Rectangular Power > Rectangular Power Connectors

Rectangular Power Connector Type: **Housing**Connector & Housing Type: **Receptacle**Connector System: **Wire-to-Wire**Number of Positions: **5**Centerline (Pitch): **5.03 mm [.198 in]**

Features

Product Type Features

| | |
|-----------------------------------|--------------|
| Rectangular Power Connector Type | Housing |
| Connector & Housing Type | Receptacle |
| Connector System | Wire-to-Wire |
| Sealable | No |
| Connector & Contact Terminates To | Wire & Cable |

Configuration Features

| | |
|----------------------------|---|
| Number of Positions | 5 |
| Number of Signal Positions | 5 |
| Number of Rows | 1 |

Electrical Characteristics

| | |
|-------------------|---------|
| Operating Voltage | 250 VAC |
|-------------------|---------|

Contact Features

| | |
|----------------------------------|---------|
| Contact Layout | Inline |
| Contact Retention Within Housing | Without |



| | |
|--------------|--------|
| Contact Type | Socket |
|--------------|--------|

Termination Features

| | |
|------------------------------------|-------|
| Termination Method to Wire & Cable | Crimp |
|------------------------------------|-------|

Mechanical Attachment

| | |
|-------------------------|----------------------------|
| Panel Mount Feature | Without |
| Connector Mounting Type | Cable Mount (Free-Hanging) |

Housing Features

| | |
|--------------------|-------------------|
| Centerline (Pitch) | 5.03 mm [.198 in] |
| Housing Color | Natural |
| Housing Material | Nylon 6/6 |

Dimensions

| | |
|--------|----------|
| Height | 27.05 mm |
| Width | 6.1 mm |
| Length | 28.58 mm |

Usage Conditions

| | |
|-----------------------------|-----------------------------|
| Operating Temperature Range | -55 – 105 °C [-67 – 221 °F] |
|-----------------------------|-----------------------------|

Operation/Application

| | |
|---------------------|----------------|
| Circuit Application | Power & Signal |
|---------------------|----------------|

Industry Standards

| | |
|------------------------|-------------------------------|
| CSA Rating | Certified |
| UL Flammability Rating | UL 94V-2 |
| Glow Wire Rating | Standard Part - Not Glow Wire |
| UL Rating | Recognized |
| Agency/Standard Number | E28476 |
| CSA File Number | LR7189 |
| Agency/Standard | CSA, UL |

Packaging Features

| | |
|--------------------|---------|
| Packaging Method | Package |
| Packaging Quantity | 1 |

Other

| | |
|--------------|--------------|
| For Use With | Plug Housing |
|--------------|--------------|

Product Compliance

[For compliance documentation, visit the product page on TE.com>](#)

| | |
|---|---|
| EU RoHS Directive 2011/65/EU | Compliant |
| EU ELV Directive 2000/53/EC | Compliant |
| China RoHS 2 Directive MIIT Order No 32, 2016 | No Restricted Materials Above Threshold |
| EU REACH Regulation (EC) No. 1907/2006 | Current ECHA Candidate List: JUNE 2022 (224) Candidate List Declared Against: JUNE 2022 (224) Does not contain REACH SVHC |
| Halogen Content | BFR/CFR/PVC Free, but Br/Cl >900 ppm in other sources. |
| Solder Process Capability | Not applicable for solder process capability |

Product Compliance Disclaimer

This information is provided based on reasonable inquiry of our suppliers and represents our current actual knowledge based on the information they provided. This information is subject to change. The part numbers that TE has identified as EU RoHS compliant have a maximum concentration of 0.1% by weight in homogenous materials for lead, hexavalent chromium, mercury, PBB, PBDE, DBP, BBP, DEHP, DIBP, and 0.01% for cadmium, or qualify for an exemption to these limits as defined in the Annexes of Directive 2011/65/EU (RoHS2). Finished electrical and electronic equipment products will be CE marked as required by Directive 2011/65/EU. Components may not be CE marked. Additionally, the part numbers that TE has identified as EU ELV compliant have a maximum concentration of 0.1% by weight in homogenous materials for lead, hexavalent chromium, and mercury, and 0.01% for cadmium, or qualify for an exemption to these limits as defined in the Annexes of Directive 2000/53/EC (ELV). Regarding the REACH Regulation, the information TE provides on SVHC in articles for this part number is based on the latest European Chemicals Agency (ECHA) 'Guidance on requirements for substances in articles' posted at this URL: <https://echa.europa.eu/guidance-documents/guidance-on-reach>

Compatible Parts

| | | | |
|--|--|---|---|
|  <p>TE Part # 770147-1 .093 CP&S PIN PTPBR LP 24-18</p> |  <p>TE Part # 770084-1 05P .093 COMM P&S PLUG HSG</p> |  <p>TE Part # 350416-1 .093 COMM P&S PIN 14-20 PTPBR</p> |  <p>TE Part # 770529-1 .093 COMM P&S SOK 14-20 PTPBR</p> |
|--|--|---|---|




TE Part # 770530-1
.093 COMM P&S PIN 14-20 PTPBR



TE Part # 350415-1
.093 COMM P&S SOK 14-20 PTPBR



TE Part # 350418-1
.093 COMM P&S PIN 18-24 PTPBR



TE Part # 350417-1
.093 COMM P&S SOK 18-24 PTPBR



TE Part # 350415-5
.093 COMM P&S SOK 20-14 AUBR



TE Part # 770145-1
.093 COMM P&S PIN PTPBR LP



TE Part # 770146-1
.093 CP&S SOK PTPBR LP 24-18



TE Part # 350416-5
.093 COMM P&S PIN AU/NI/BR



TE Part # 770144-1
.093 CP&S SOK PTPBR L/P 20-14



TE Part # 770144-5
.093 CP&S SOC AUBR L/P 20-14



TE Part # 350415-6
.093 COMM P&S SOK 14-20 PTPHBZ



TE Part # 350417-5
.093 COMM P&S SOK AU/NI/BR



TE Part # 770145-5
.093 CP&S PIN AUBR LP 20-14



TE Part # 770146-5
.093 CP&S SOK AUBR LP 24-18

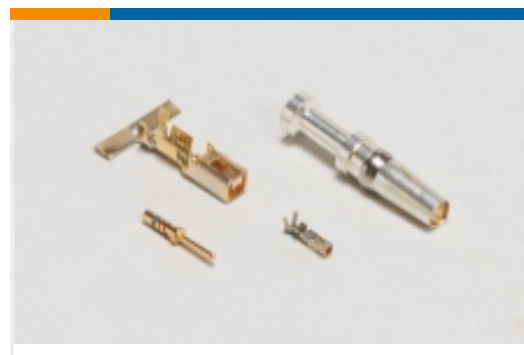


TE Part # 770147-5
.093 CP&S PIN AUBR LP 24-18



TE Part # 350417-3
.093 COMM P&S SOK 18-24 AUNIBR


Also in the Series | Commercial Pin and Socket Connectors



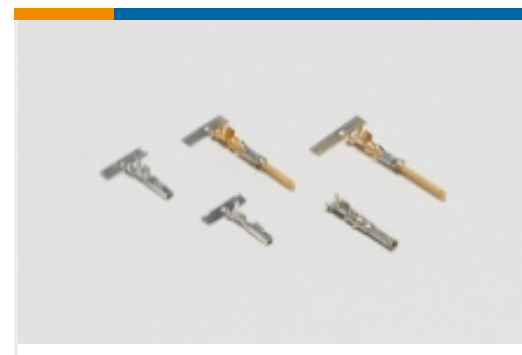
Connector Contacts(3)



Crimp Wire Pins, Tabs & Ferrules(1)



Insertion & Extraction Tools(3)



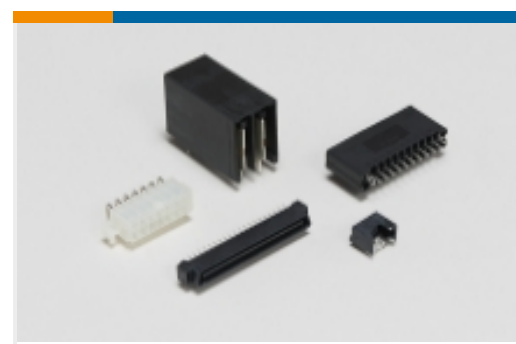
Power Contacts(40)



Rectangular Connector Housings(11)

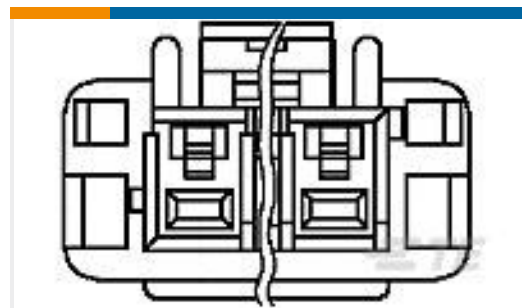
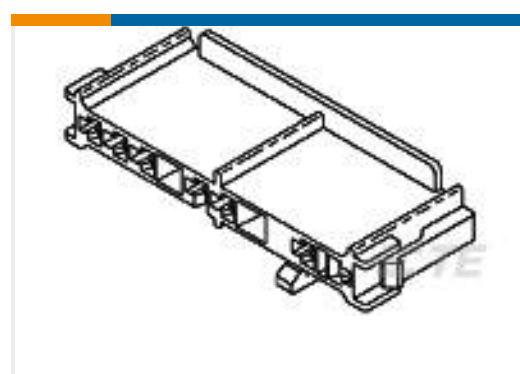
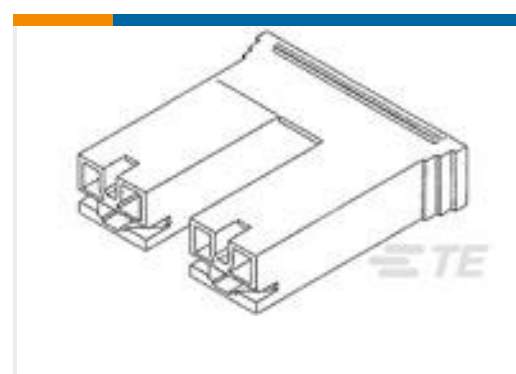


Rectangular Power Connectors(88)



Standard Rectangular Connectors(4)

Customers Also Bought

TE Part #1376391-1
5MM POWER KEY 6P PLUG HSG NUTTE Part #1376397-1
5MM POWER KEY D/L PLATE GREENTE Part #770102-1
12P .093 COMM P&S PLUGTE Part #521204-6
RAST 5,HSG,2P,POSILOCK MKIIITE Part #1897058-1
CONNECTOR .125/.250 SERIESTE Part #521085-1
DRYER .250 HOUSING NYLON 6/6TE Part #520935-1
PLMKII&FASTON 250 REC HSG 2P
NATTE Part #40960
RING TERMINAL 14-12 AWG TPBRTE Part #EH2290-000
DWFR-9/3-0-STKTE Part #770097-1
12P .093 COMM P&S RECPT

Documents

Product Drawings

05P .093 COMM P&S RECPT HSG

English

CAD Files

3D PDF

English

Customer View Model

ENG_CVM_770083-1_G.2d_dxf.zip



English

Customer View Model

[ENG_CVM_770083-1_G.3d_igs.zip](#)

English

Customer View Model

[ENG_CVM_770083-1_G.3d_stp.zip](#)

English

[3D PDF](#)

3D

Customer View Model

[ENG_CVM_CVM_770083-1_S.2d_dxf.zip](#)

English

Customer View Model

[ENG_CVM_CVM_770083-1_S.3d_igs.zip](#)

English

Customer View Model

[ENG_CVM_CVM_770083-1_S.3d_stp.zip](#)

English

By downloading the CAD file I accept and agree to the [Terms and Conditions](#) of use.

Datasheets & Catalog Pages

[SOFT_SHELL_PIN_SOCKET_CONNECTORS_STANDARD_DENSITY](#)

English

Product Specifications

[Application Specification](#)

English

Product Environmental Compliance

[MD_770083-1_060820181144_dmtec](#)

English

[MD_770083-1_060820181144_dmtec](#)

English

Agency Approvals

[UL Report](#)

English