

MATERIAL NUMBER	# OF COLUMNS	# OF DIFF PAIR	DIM 'A' MAX	DIM 'B'	PTH $\phi$
76500-w8**	8	32	22.80	13.30	0.46±0.05
76500-w1**	10	40	26.60	17.10	0.46±0.05
76500-w6**	16	64	38.00	28.50	0.46±0.05
76500-w8**	8	32	22.80	13.30	0.39±0.05
76500-w1**	10	40	26.60	17.10	0.39±0.05
76500-w6**	16	64	38.00	28.50	0.39±0.05

76500-\*\*\*\*

MODULE TYPE  
 3 = LEFT GUIDED, LEAD-FREE  
 7 = LEFT GUIDED, LEAD-FREE W/ ENDWALL

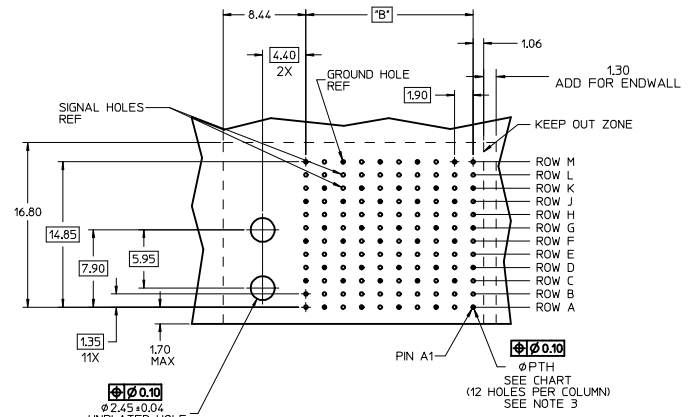
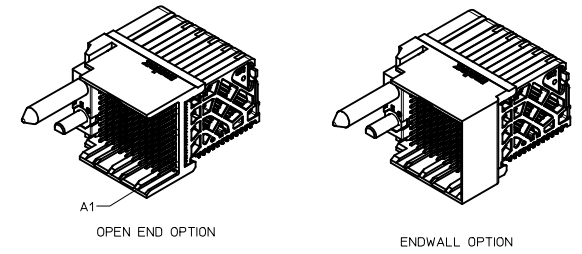
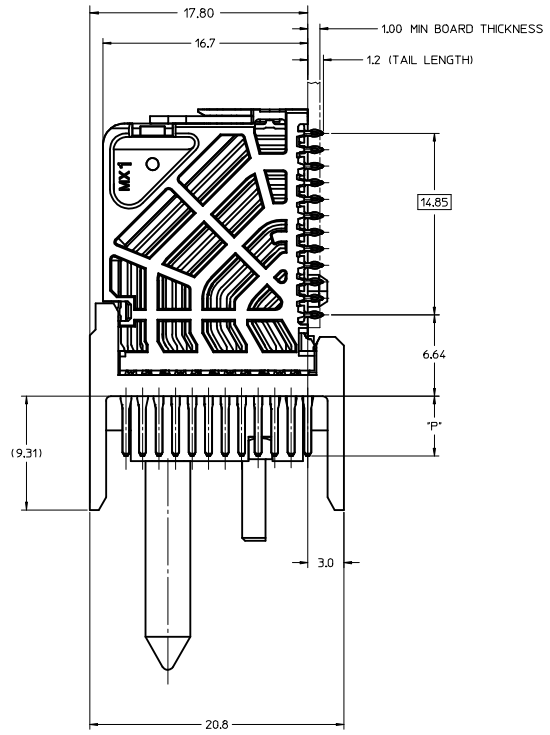
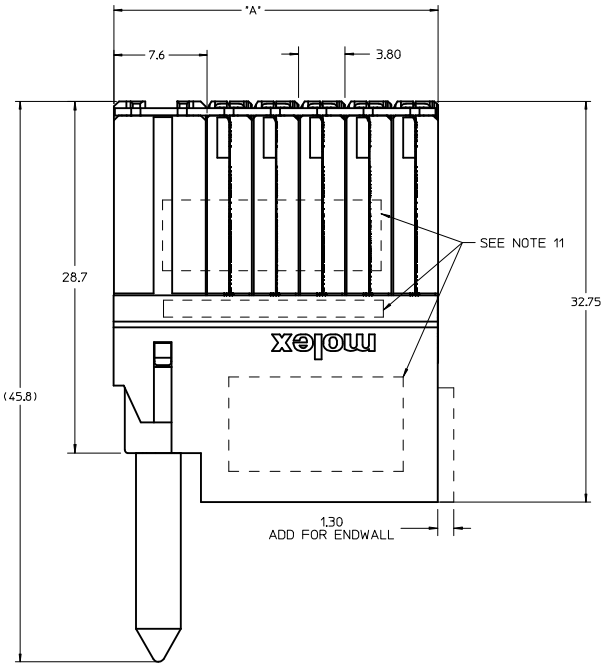
# OF COLUMNS  
 1 = 10 COLUMNS  
 6 = 16 COLUMNS  
 8 = 8 COLUMNS

PIN LENGTH (P)  
 4 = 4.90 (0.46 PTH)  
 5 = 5.50 (0.46 PTH)  
 7 = 4.90 (0.39 PTH)  
 8 = 5.50 (0.39 PTH)

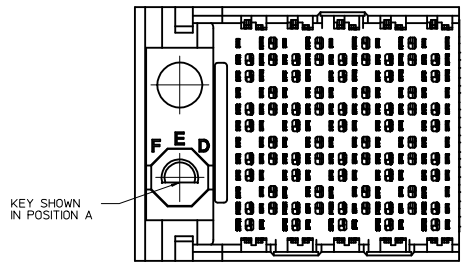
KEY ORIENTATION  
 0 = NO KEY  
 1 = A 5 = E  
 2 = B 6 = F  
 3 = C 7 = G  
 4 = D 8 = H

NOTES:

- MATERIALS: HOUSING - LIQUID CRYSTAL POLYMER (LCP), GLASS-FILLED, UL94V-0  
TERMINALS - HIGH PERFORMANCE COPPER ALLOY
- FINISH: 30µm SELECTIVE GOLD IN CONTACT AREA, SELECTIVE TIN ON PCB TAILS, NICKEL OVERALL.
- REFER TO MOLEX PRODUCT SPECIFICATION PS-76060-999 FOR PERFORMANCE SPECIFICATIONS AND ADDITIONAL PCB INFORMATION.
- EACH SIGNAL WAFER CONTAINS 2 COLUMNS OF TERMINALS.
- PRODUCT IS PACKAGED PER PK-70873-041.
- THIS PART CONFORMS TO CLASS B REQUIREMENTS OF COSMETIC SPEC PS-45499-002.
- REFER TO MOLEX SALES DRAWING SD-76160-004 FOR THE MATING RECEPTACLES.
- REFER TO MOLEX PCB ROUTING GUIDE AS-76060-990 FOR ANTIPAD AND ROUTING RECOMMENDATIONS.
- WHEN USING MOLEX SUPPLIED #2-32 SCREW 73726-0000 (9.50mm ±0.38 THREADABLE SCREW LENGTH), THE MAXIMUM BOARD THICKNESS IS 4.4mm.
- GUIDE LEFT RAM MATES TO GUIDE RIGHT DAUGHTERCARD.



RAM HOLE PATTERN (CONNECTOR SIDE)



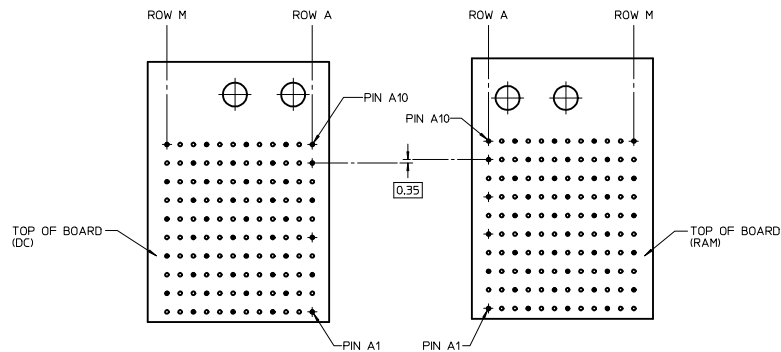
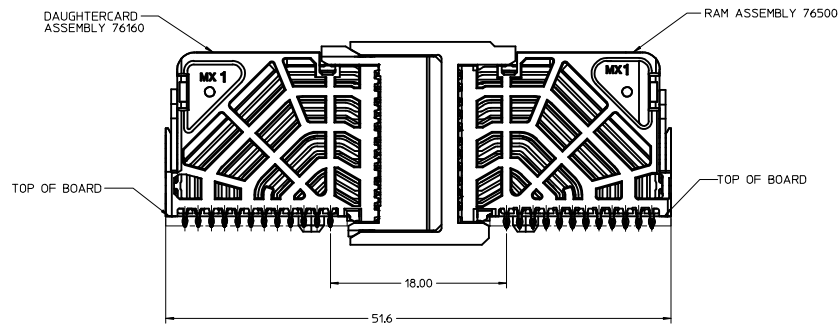
ADD LASER MARK INFO EC NO. UCP2016-3973 DRAWN BY DRWNSDVARARA CHKD:TELO APPR:TELO DATE: 2015/07/29 DATE: 2016/02/22 DATE: 2016/04/20	QUALITY SYMBOLS ∇=0 ∇=0 ∇=0	GENERAL TOLERANCES (UNLESS SPECIFIED) <table border="1"> <thead> <tr> <th></th> <th>mm</th> <th>INCH</th> </tr> </thead> <tbody> <tr> <td>4 PLACES</td> <td>±---</td> <td>±---</td> </tr> <tr> <td>3 PLACES</td> <td>±---</td> <td>±---</td> </tr> <tr> <td>2 PLACES</td> <td>±0.13</td> <td>±---</td> </tr> <tr> <td>1 PLACE</td> <td>±0.25</td> <td>±---</td> </tr> <tr> <td>0 PLACE</td> <td>±---</td> <td>±---</td> </tr> </tbody> </table>		mm	INCH	4 PLACES	±---	±---	3 PLACES	±---	±---	2 PLACES	±0.13	±---	1 PLACE	±0.25	±---	0 PLACE	±---	±---	DIMENSION STYLE MM ONLY	SCALE 5:1	DESIGN UNITS METRIC	THIRD ANGLE PROJECTION
				mm	INCH																			
4 PLACES	±---	±---																						
3 PLACES	±---	±---																						
2 PLACES	±0.13	±---																						
1 PLACE	±0.25	±---																						
0 PLACE	±---	±---																						
DRAFT WHERE APPLICABLE MUST REMAIN WITHIN DIMENSIONS	DRAWN BY: JOUILLES DATE: 2008/12/03 CHECKED BY: JLAURX DATE: 2008/12/04 APPROVED BY: JLAURX DATE: 2008/12/05	MATERIAL NO. <b>SEE TABLE</b>	DOCUMENT NO. <b>SD-76500-002</b>	SHEET NO. 1 OF 2																				

IMPACT 4 PAIR RAM  
 GUIDE LEFT  
 SIGNAL MODULE SALES DWG  
**molex**

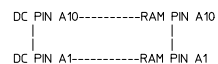
THIS DRAWING CONTAINS INFORMATION THAT IS PROPRIETARY TO MOLEX INCORPORATED AND SHOULD NOT BE USED WITHOUT WRITTEN PERMISSION

20 19 18 17 16 15 14 13 12 11 10 9 8 7 6 5 4 3 2 1

COPLANAR APPLICATION



COPLANAR MATED SIGNAL PATHS



<b>SEE SHEET 1</b> DEC NO: UCP2016-3973 DRAWN BY: DRW/DV/ARARA CHKD BY: CHK/D/TELO APPR: TELO DATE: 2015/07/29 DATE: 2016/02/22 DATE: 2016/04/20	QUALITY SYMBOLS	GENERAL TOLERANCES (UNLESS SPECIFIED)	DIMENSION STYLE	SCALE	DESIGN UNITS	THIRD ANGLE PROJECTION
	▽=0	mm INCH	MM ONLY	4:1	METRIC	☉
	▽=0	4 PLACES ± --- ± ---	DRAWN BY: JOUILLES	DATE: 2008/12/03	TITLE: IMPACT 4 PAIR RAM GUIDE LEFT SIGNAL MODULE SALES DWG	
	▽=0	3 PLACES ± --- ± ---	CHECKED BY: JLAURX	DATE: 2008/12/04	MATERIAL NO. SEE TABLE	
	ANGULAR ±1/2°	DRAFT WHERE APPLICABLE MUST REMAIN WITHIN DIMENSIONS	MATERIAL NO. SEE TABLE	DATE: 2008/12/05	DOCUMENT NO. SD-76500-002	SHEET NO. 2 OF 2
THIS DRAWING CONTAINS INFORMATION THAT IS PROPRIETARY TO MOLEX INCORPORATED AND SHOULD NOT BE USED WITHOUT WRITTEN PERMISSION						

19 18 17 16 15 14 13 12 11 10 9 8 7 6 5 4 3 2 1

MATERIAL NUMBER	# OF COLUMNS	# OF DIFF PAIR	DIM "A" MAX	DIM "B"	PTH $\phi$
76500-w8**	8	32	22.80	13.30	0.46+0.05
76500-w1**	10	40	26.60	17.10	0.46+0.05
76500-w6**	16	64	38.00	28.50	0.46+0.05
76500-w8**	8	32	22.80	13.30	0.39+0.05
76500-w1**	10	40	26.60	17.10	0.39+0.05
76500-w6**	16	64	38.00	28.50	0.39+0.05

76500-\*\*\*\*

MODULE TYPE  
 3 = LEFT GUIDED, LEAD-FREE  
 7 = LEFT GUIDED, LEAD-FREE W/ ENDWALL

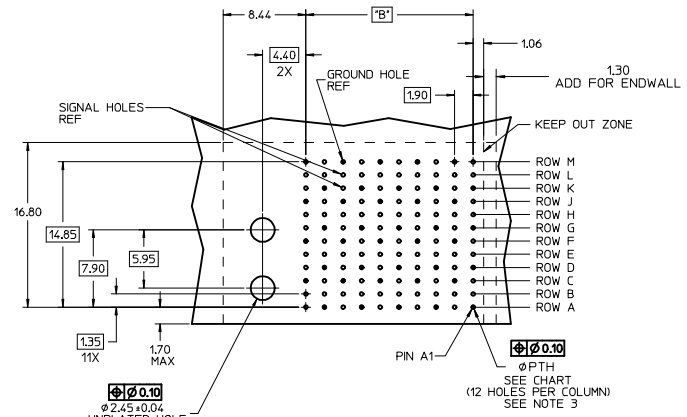
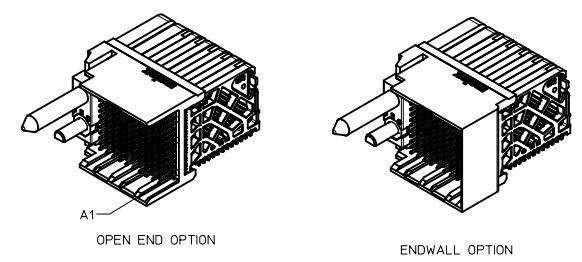
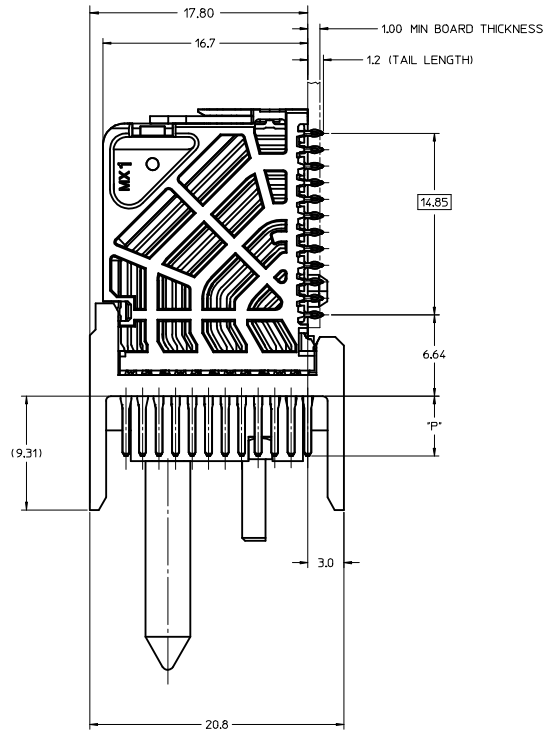
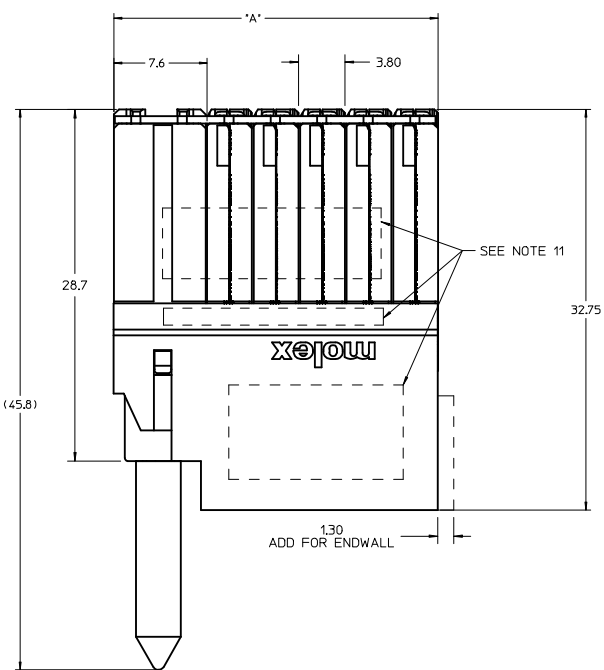
# OF COLUMNS  
 1 = 10 COLUMNS  
 6 = 16 COLUMNS  
 8 = 8 COLUMNS

PIN LENGTH (P)  
 4 = 4.90 (0.46 PTH)  
 5 = 5.50 (0.46 PTH)  
 7 = 4.90 (0.39 PTH)  
 8 = 5.50 (0.39 PTH)

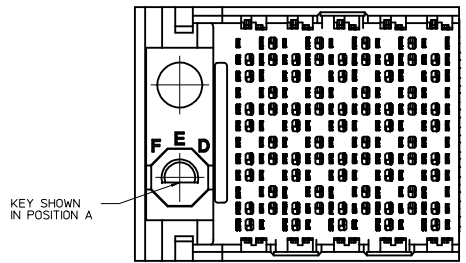
KEY ORIENTATION  
 0 = NO KEY  
 1 = A 5 = E  
 2 = B 6 = F  
 3 = C 7 = G  
 4 = D 8 = H

NOTES:

- MATERIALS: HOUSING - LIQUID CRYSTAL POLYMER (LCP), GLASS-FILLED, UL94V-0  
 TERMINALS - HIGH PERFORMANCE COPPER ALLOY
- FINISH: 30μm SELECTIVE GOLD IN CONTACT AREA, SELECTIVE TIN ON PCB TAILS, NICKEL OVERALL.
- REFER TO MOLEX PRODUCT SPECIFICATION PS-76060-999 FOR PERFORMANCE SPECIFICATIONS AND ADDITIONAL PCB INFORMATION.
- EACH SIGNAL WAFER CONTAINS 2 COLUMNS OF TERMINALS.
- PRODUCT IS PACKAGED PER PK-70873-041.
- THIS PART CONFORMS TO CLASS B REQUIREMENTS OF COSMETIC SPEC PS-45499-002.
- REFER TO MOLEX SALES DRAWING SD-76160-004 FOR THE MATING RECEPTACLES.
- REFER TO MOLEX PCB ROUTING GUIDE AS-76060-990 FOR ANTIPAD AND ROUTING RECOMMENDATIONS.
- WHEN USING MOLEX SUPPLIED #2-32 SCREW 73726-0000 (9.50mm  $\pm$  0.38 THREADABLE SCREW LENGTH), THE MAXIMUM BOARD THICKNESS IS 4.4mm.
- GUIDE LEFT RAM MATES TO GUIDE RIGHT DAUGHTERCARD.



RAM HOLE PATTERN (CONNECTOR SIDE)

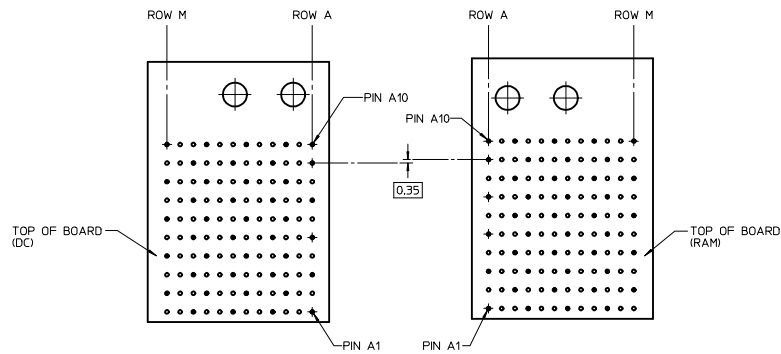
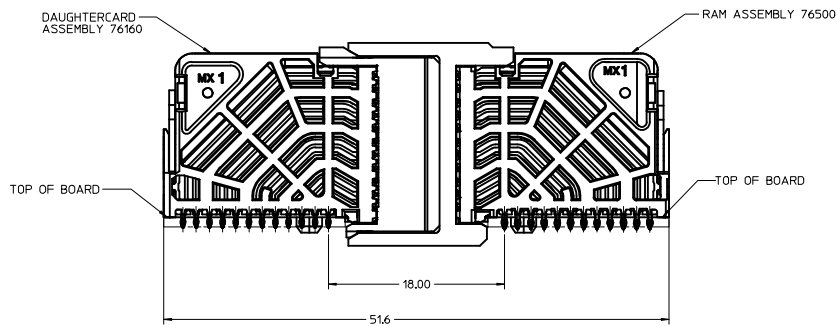


KEY SHOWN IN POSITION A

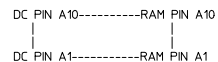
ADD LASER MARK INFO IEC NO. UCP2016-3973 DRAWN BY DRWNSDVARARA CHKD:TELO APPR:TELO DATE 2015/07/29 DATE 2016/02/22 DATE 2016/04/20	QUALITY SYMBOLS ∇=0 ∇=0 ∇=0	GENERAL TOLERANCES (UNLESS SPECIFIED)	DIMENSION STYLE MM ONLY	SCALE 5:1	DESIGN UNITS METRIC	THIRD ANGLE PROJECTION																													
		<table border="1"> <thead> <tr> <th></th> <th>mm</th> <th>INCH</th> </tr> </thead> <tbody> <tr> <td>4 PLACES</td> <td>±.00</td> <td>±.00</td> </tr> <tr> <td>3 PLACES</td> <td>±.01</td> <td>±.00</td> </tr> <tr> <td>2 PLACES</td> <td>±0.13</td> <td>±.00</td> </tr> <tr> <td>1 PLACE</td> <td>±0.25</td> <td>±.00</td> </tr> <tr> <td>0 PLACE</td> <td>±.00</td> <td>±.00</td> </tr> </tbody> </table>		mm	INCH	4 PLACES	±.00	±.00	3 PLACES	±.01	±.00	2 PLACES	±0.13	±.00	1 PLACE	±0.25	±.00	0 PLACE	±.00	±.00	<table border="1"> <thead> <tr> <th>DRAWN BY</th> <th>DATE</th> </tr> </thead> <tbody> <tr> <td>JOUILLES</td> <td>2008/12/03</td> </tr> <tr> <th>CHECKED BY</th> <th>DATE</th> </tr> <tr> <td>JLAURX</td> <td>2008/12/04</td> </tr> <tr> <th>APPROVED BY</th> <th>DATE</th> </tr> <tr> <td>JLAURX</td> <td>2008/12/05</td> </tr> </tbody> </table>	DRAWN BY	DATE	JOUILLES	2008/12/03	CHECKED BY	DATE	JLAURX	2008/12/04	APPROVED BY	DATE	JLAURX	2008/12/05	TITLE <b>IMPACT 4 PAIR RAM GUIDE LEFT SIGNAL MODULE SALES DWG</b>	MATERIAL NO. <b>SEE TABLE</b>
	mm	INCH																																	
4 PLACES	±.00	±.00																																	
3 PLACES	±.01	±.00																																	
2 PLACES	±0.13	±.00																																	
1 PLACE	±0.25	±.00																																	
0 PLACE	±.00	±.00																																	
DRAWN BY	DATE																																		
JOUILLES	2008/12/03																																		
CHECKED BY	DATE																																		
JLAURX	2008/12/04																																		
APPROVED BY	DATE																																		
JLAURX	2008/12/05																																		

20 19 18 17 16 15 14 13 12 11 10 9 8 7 6 5 4 3 2 1

COPLANAR APPLICATION



COPLANAR MATED SIGNAL PATHS



<b>SEE SHEET 1</b> DEC NO: UCP2016-3973 DRAWN BY: DRW/DV/ARARA CHKD BY: CHK/D/TELO APPR: TELO DATE: 2015/07/29 DATE: 2016/02/22 DATE: 2016/04/20	QUALITY SYMBOLS	GENERAL TOLERANCES (UNLESS SPECIFIED)	DIMENSION STYLE	SCALE	DESIGN UNITS	THIRD ANGLE PROJECTION
	∇=0 ∇=0 ∇=0	4 PLACES ± mm 3 PLACES ± INCH 2 PLACES ± 0.13 1 PLACE ± 0.25 0 PLACE ±	MM ONLY	4:1	METRIC	DRAWN BY: JOUILLES CHECKED BY: JLAURX APPROVED BY: JLAURX DATE: 2008/12/03 DATE: 2008/12/04 DATE: 2008/12/05
	ANGULAR ±1/2° DRAFT WHERE APPLICABLE MUST REMAIN WITHIN DIMENSIONS	MATERIAL NO: SEE TABLE	TITLE: IMPACT 4 PAIR RAM GUIDE LEFT SIGNAL MODULE SALES DWG	DOCUMENT NO: SD-76500-002	SHEET NO: 2 OF 2	
	THIS DRAWING CONTAINS INFORMATION THAT IS PROPRIETARY TO MOLEX INCORPORATED AND SHOULD NOT BE USED WITHOUT WRITTEN PERMISSION					

19 18 17 16 15 14 13 12 11 10 9 8 7 6 5 4 3 2 1