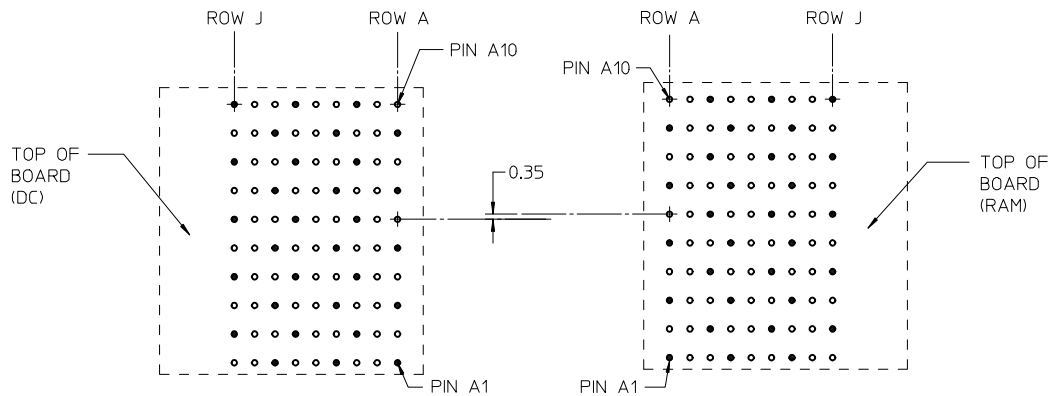
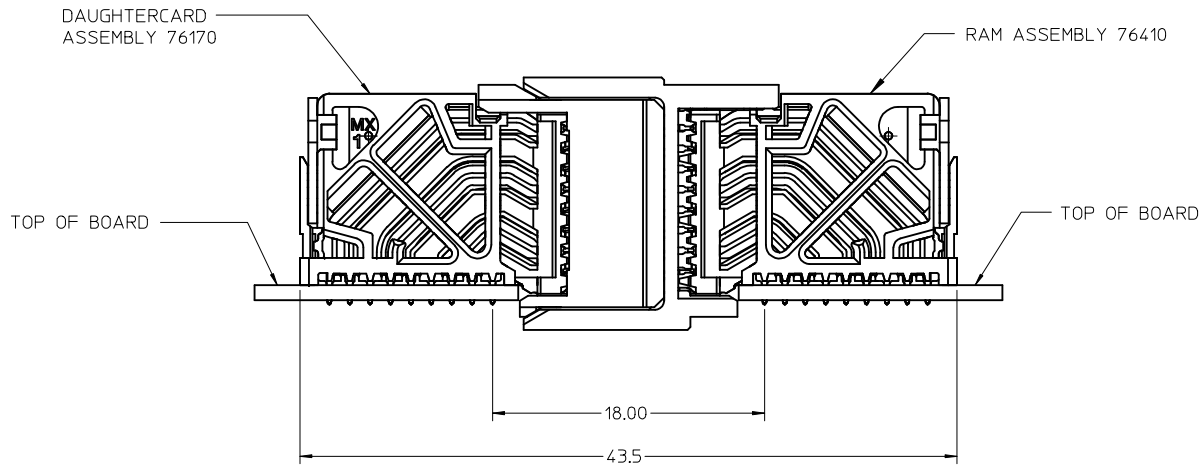




# COPLANAR APPLICATION



## COPLANAR MATED SIGNAL PATHS



SEE SHEET 1 EC NO: UCP2016-3973 DRW:NDVARA 2015/07/29 CHKD:TELO 2016/02/22 APPR:TELO 2016/04/20	QUALITY SYMBOLS ▽=0 ▽=0 ▽=0	GENERAL TOLERANCES (UNLESS SPECIFIED)		DIMENSION STYLE <b>MM ONLY</b>	SCALE 4:1	DESIGN UNITS METRIC	THIRD ANGLE PROJECTION	
		4 PLACES ± --- ± ---	3 PLACES ± --- ± ---	DRAWN BY JLAURX	DATE 2008/10/21	TITLE IMPACT 3 PAIR RAM UNGUIDED SIGNAL MODULE SALES DRAWING		
		2 PLACES ± 0.13 ± ---	1 PLACE ± 0.25 ± ---	CHECKED BY JJONIAK	DATE 2008/10/21	APPROVED BY JLAURX		
		0 PLACE ± ±	ANGULAR ±1/2°	MATERIAL NO. SEE TABLE	DATE 2008/10/21	DOCUMENT NO. SD-76410-001	SHEET NO. 2 OF 2	
D3	REVISION	DRAFT WHERE APPLICABLE MUST REMAIN WITHIN DIMENSIONS		SIZE C	THIS DRAWING CONTAINS INFORMATION THAT IS PROPRIETARY TO MOLEX. INCORPORATED AND SHOULD NOT BE USED WITHOUT WRITTEN PERMISSION			