

- NOTES:
- MATERIAL:
HOUSING: GLASS FILLED LIQUID CRYSTAL POLYMER,
UL94 V-0,
COLOR - SEE TABLE.
CAP: NYLON, GLASS FILLED, UL94V-0
COLOR: BEIGE.
PINS: BRASS ALLOY, C26000.
 - PLATING: 2.54µM. MIN. MATTE TIN OVER 1.27µM MIN. NICKEL. EXCEPT AT CUT-EDGE WHERE THICKNESS CAN BE 1.90µM MIN.
 - CUT EDGE TIN MEASUREMENT POINTS.
 - DRAWING SHOWS PLUG WITH 5 CIRCUITS.
 - HEADER TO BE USED WITH CRIMP HOUSING, P/N 87439 AND CRIMP TERMINAL, P/N 87421.

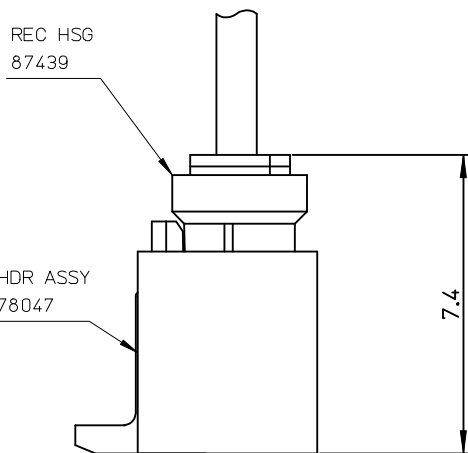
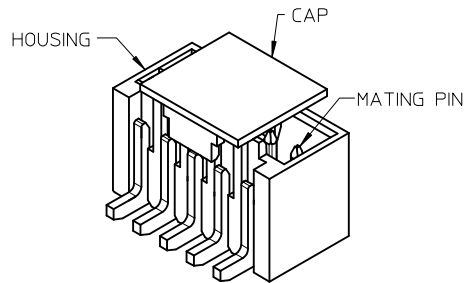
SECTION A-A
(WITHOUT CAP)

SECTION A-A
(WITH CAP)

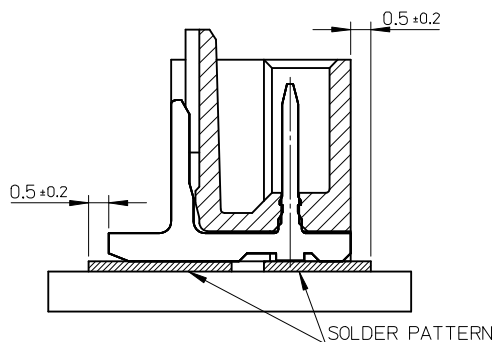
REVISED EC NO: J2016-0573 DRW: AISHIKAWA 2015/12/11 CHK: KASAKAWA 2015/12/11 APPR: NUKITA 2015/12/11	GENERAL TOLERANCES (UNLESS SPECIFIED)		DIMENSION STYLE MM ONLY		SCALE 1:1	DESIGN UNITS METRIC	THIRD ANGLE PROJECTION		
	0.25 UNDER	± 0.03	DRAWN BY	DATE	TITLE				
	0.25 OVER 0.5 UNDER	± 0.05	SKANG	2007/07/18	1.50MM PITCH, W-T-B HEADER, VERTICAL, SMT				
	0.5 OVER 1.0 UNDER	± 0.1	CHECKED BY	DATE					
	1.0 OVER 10 UNDER	± 0.20	ATSEE	2007/07/25					
10 OVER 30 UNDER	± 0.20	APPROVED BY	DATE	DOCUMENT NO.		SHEET NO.			
30 OVER	± 0.20	NUKITA	2010/10/14	SD-78047-001		1 OF 5			
ANGULAR	± 3 °	MATERIAL NO.		SEE TABLE		THIS DRAWING CONTAINS INFORMATION THAT IS PROPRIETARY TO MOLEX ELECTRONIC TECHNOLOGIES, LLC AND SHOULD NOT BE USED WITHOUT WRITTEN PERMISSION			
DRAFT WHERE APPLICABLE MUST REMAIN WITHIN DIMENSIONS			SIZE A3						

10 9 8 7 6 5 4 3 2 1

HOUSING COLOR	LEAD FREE TERMINAL P/N	CAP	HEADER IN TUBE PACKING	HEADER IN TAPE & REEL	HEADER IN TAPE & REEL (WITH HOLE)	CIRCUIT SIZE	A	B	C	D	E
BIEGE	TIN PLATING	N/A	78047-0242	78047-0243	---	2	1.50	3.30	3.70	4.30	1.70
			78047-0342	78047-0343	---	3	3.00	4.80	5.20	5.80	3.20
			78047-0442	78047-0443	---	4	4.50	6.30	6.70	7.30	4.70
			78047-0542	78047-0543	---	5	6.00	7.80	8.20	8.80	6.20
			78047-0642	78047-0643	---	6	7.50	9.30	9.70	10.30	7.70
			78047-0742	78047-0743	---	7	9.00	10.80	11.20	11.80	9.20
			78047-0842	78047-0843	---	8	10.50	12.30	12.70	13.30	10.70
			78047-0942	78047-0943	---	9	12.00	13.80	14.20	14.80	12.20
			78047-1042	78047-1043	---	10	13.50	15.30	15.70	16.30	13.70
			78047-1142	78047-1143	---	11	15.00	16.80	17.20	17.80	15.20
			78047-1242	78047-1243	---	12	16.50	18.30	18.70	19.30	16.70
			78047-1342	78047-1343	---	13	18.00	19.80	20.20	20.80	18.20
			78047-1442	78047-1443	---	14	19.50	21.30	21.70	22.30	19.70
			78047-1542	78047-1543	---	15	21.00	22.80	23.20	23.80	21.20
					YES	---	---	78047-0574	5	6.00	7.80
			---	---	78047-0774	7	9.00	10.80	11.20	11.80	9.20

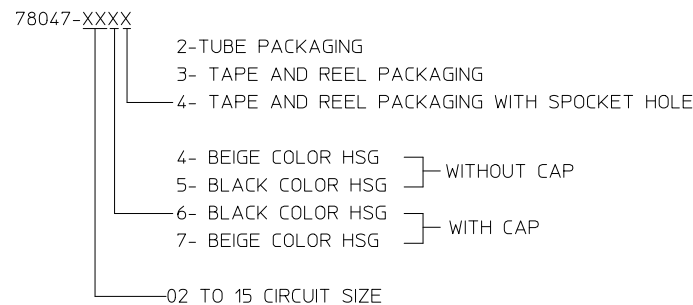


嵌合状態図
MATED CONNECTORS



MOUNTING POSITION OF THE CONNECTOR

PART NUMBER ASSIGNMENT




(PLEASE CONTACT MOLEX FOR OTHER PART NUMBER REQUEST)

REVISED EC NO: J2016-0573 DRW: A. SHIKAWA 2015/12/11 CHK: D. KASAKAWA 2015/12/11 APPR: N. KITA 2015/12/11	GENERAL TOLERANCES (UNLESS SPECIFIED)		DIMENSION STYLE MM ONLY		SCALE 1:1	DESIGN UNITS METRIC	THIRD ANGLE PROJECTION
	0.25 UNDER	±0.03	DRAWN BY	DATE	TITLE		
	0.25 OVER 0.5 UNDER	±0.05	SKANG	2007/07/18	1.50MM PITCH, W-T-B HEADER, VERTICAL, SMT		
	0.5 OVER 1.0 UNDER	±0.1	CHECKED BY	DATE			
	1.0 OVER 30 UNDER	±0.20	ATSEE	2007/07/25			
	30 OVER	±0.20	APPROVED BY	DATE	MATERIAL NO.	DOCUMENT NO.	SHEET NO.
ANGULAR ±3 °		NUKITA	2010/10/14	SEE TABLE	SD-78047-001	2 OF 5	
DRAFT WHERE APPLICABLE MUST REMAIN WITHIN DIMENSIONS			SIZE A3	THIS DRAWING CONTAINS INFORMATION THAT IS PROPRIETARY TO MOLEX ELECTRONIC TECHNOLOGIES, LLC AND SHOULD NOT BE USED WITHOUT WRITTEN PERMISSION			

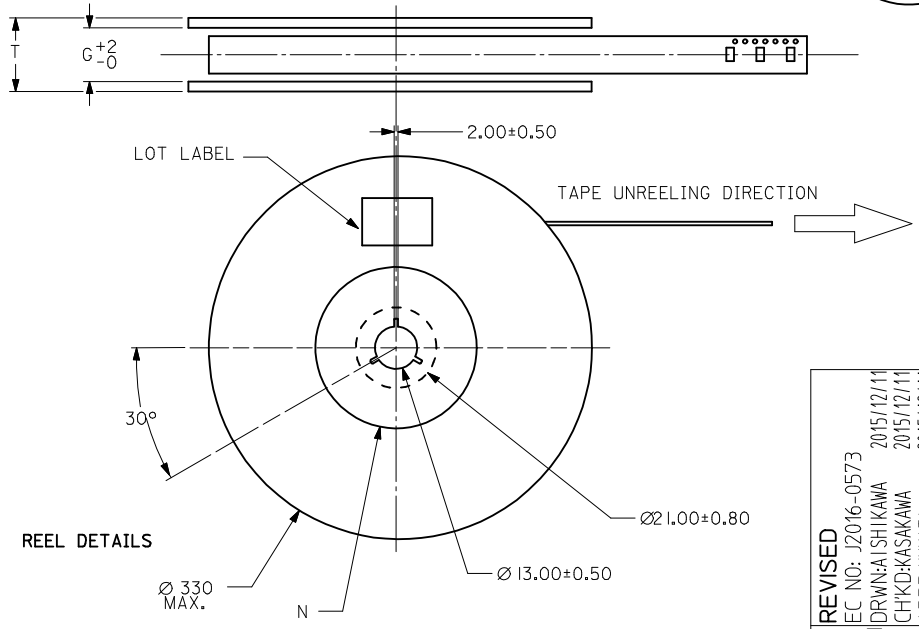
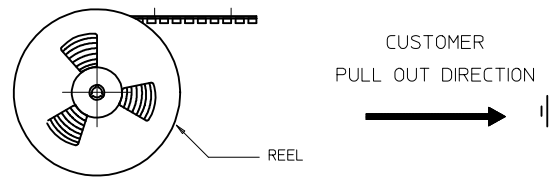
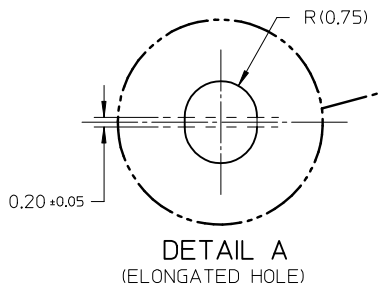
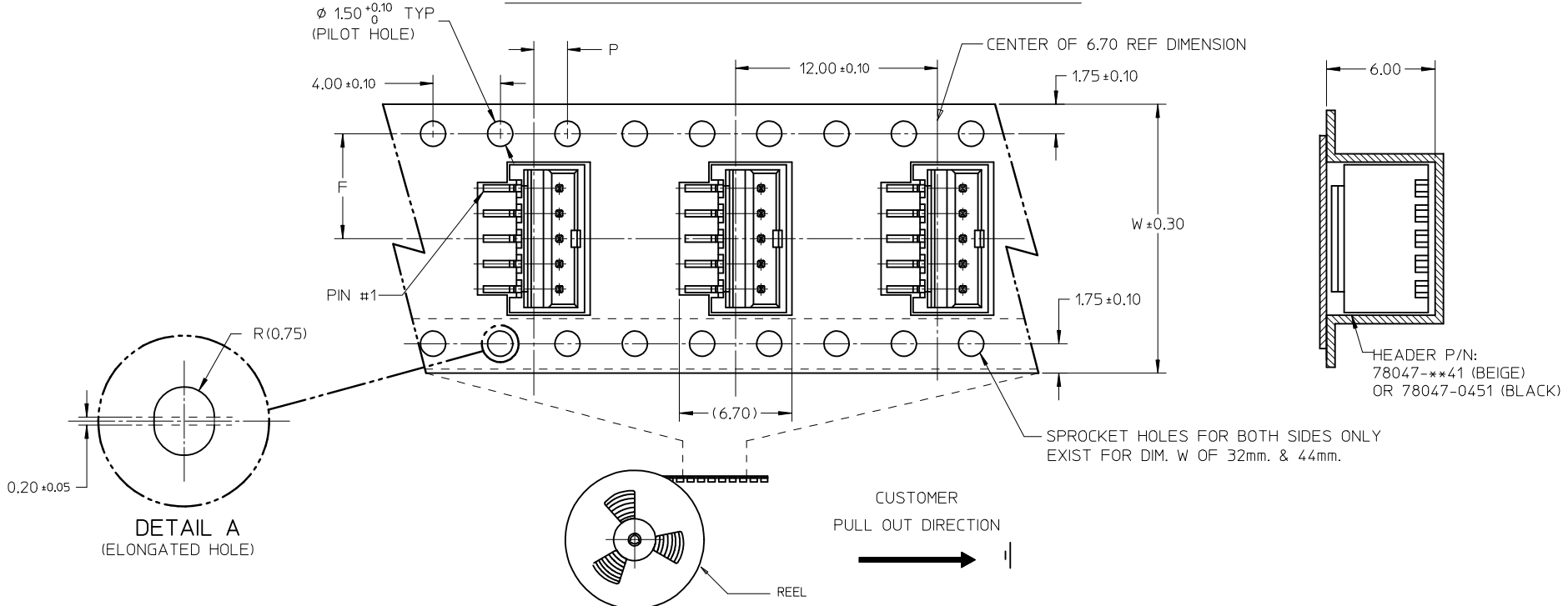
9 8 7 6 5 4 3 2 1

10	9	8	7	6	5	4	3	2	1									
				HOUSING COLOR	LEAD FREE TERMINAL P/N	CAP	HEADER IN TUBE PACKING	HEADER IN TAPE & REEL	HEADER IN TAPE & REEL (WITH HOLE)	CIRCUIT SIZE	A	B	C	D	E			
				BIEGE	TIN PLATING	YES	---	78047-0273	---	2	1.50	3.30	3.70	4.30	1.70			
							---	78047-0373	---	3	3.00	4.80	5.20	5.80	6.20			
							---	78047-0473	---	4	4.50	6.30	6.70	7.30	4.70			
							---	78047-0573	---	5	6.00	7.80	8.20	8.80	6.20			
							---	78047-0673	---	6	7.50	9.30	9.70	10.30	7.70			
							---	78047-0773	---	7	9.00	10.80	11.20	11.80	9.20			
							---	78047-0873	---	8	10.50	12.30	12.70	13.30	10.70			
							---	78047-0973	---	9	12.00	13.80	14.20	14.80	12.20			
							---	78047-1073	---	10	13.50	15.30	15.70	16.30	13.70			
							---	78047-1173	---	11	15.00	16.80	17.20	17.80	15.20			
							---	78047-1273	---	12	16.50	18.30	18.70	19.30	16.70			
							---	78047-1373	---	13	18.00	19.80	20.20	20.80	18.20			
							---	78047-1473	---	14	19.50	21.30	21.70	22.30	19.70			
							---	78047-1573	---	15	21.00	22.80	23.20	23.80	21.20			

REVISED EC NO: J2016-0573 DRWN: A. SHIKAWA 2015/12/11 CHKD: K. KASAKAWA 2015/12/11 APPR: N. UKITA 2015/12/11	GENERAL TOLERANCES (UNLESS SPECIFIED)		DIMENSION STYLE MM ONLY		SCALE 1:1	DESIGN UNITS METRIC	THIRD ANGLE PROJECTION	
	0.25 UNDER	± 0.03	DRAWN BY	DATE	TITLE			
	0.25 OVER 0.5 UNDER	± 0.05	SKANG	2007/07/18	1.50MM PITCH, W-T-B HEADER, VERTICAL, SMT			
	0.5 OVER 1.0 UNDER	± 0.1	CHECKED BY	DATE				
	1.0 OVER 10 UNDER	± 0.20	ATSEE	2007/07/25				
	10 OVER 30 UNDER	± 0.20	APPROVED BY	DATE	DOCUMENT NO.		SHEET NO.	
30 OVER	± 0.20	NUKITA	2010/10/14	SD-78047-001		3 OF 5		
ANGULAR ±3 °		MATERIAL NO.		THIS DRAWING CONTAINS INFORMATION THAT IS PROPRIETARY TO MOLEX ELECTRONIC TECHNOLOGIES, LLC AND SHOULD NOT BE USED WITHOUT WRITTEN PERMISSION				
DRAFT WHERE APPLICABLE MUST REMAIN WITHIN DIMENSIONS		SIZE A3						

10 9 8 7 6 5 4 3 2 1

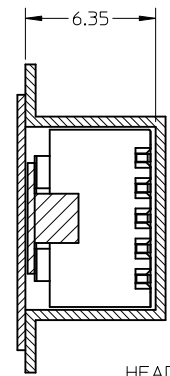
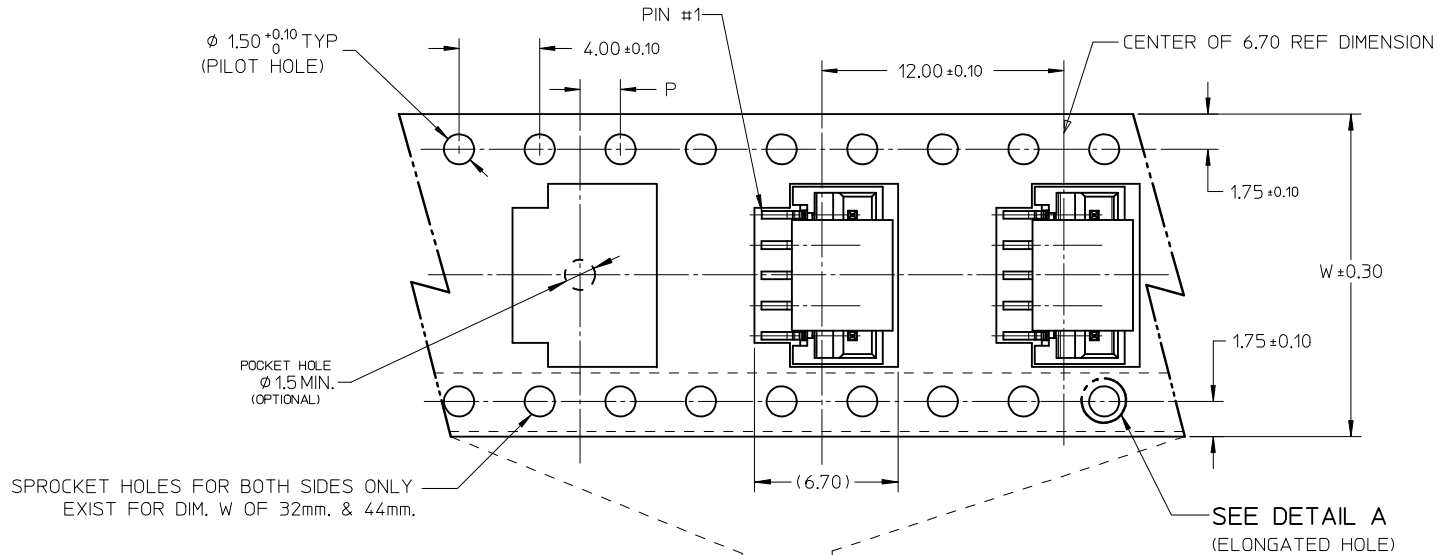
EMBOSSED CARRIER TAPE PACKING DETAILS FOR PARTS WITHOUT CAP



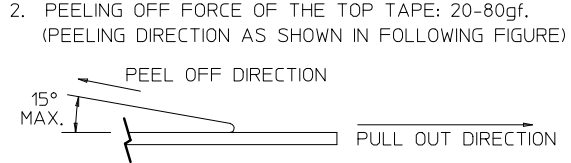
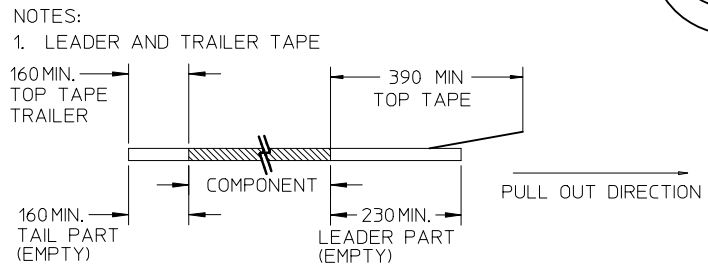
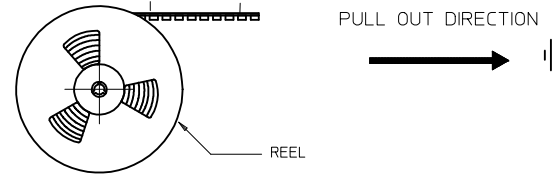
REVISED EC NO: J2016-0573 DRW: AISHIKAWA 2015/12/11 CHK: KASAKAWA 2015/12/11 APPR: NUKITA 2015/12/11	GENERAL TOLERANCES (UNLESS SPECIFIED)		DIMENSION STYLE MM ONLY		SCALE 1:1	DESIGN UNITS METRIC	THIRD ANGLE PROJECTION	
	0.25 UNDER	± 0.03	DRAWN BY	DATE	TITLE			
	0.25 OVER 0.5 UNDER	± 0.05	SKANG	2007/07/18	1.50MM PITCH, W-T-B HEADER, VERTICAL, SMT			
	0.5 OVER 1.0 UNDER	± 0.1	CHECKED BY	DATE				
	1.0 OVER 10 UNDER	± 0.20	ATSEE	2007/07/25				
10 OVER 30 UNDER	± 0.20	APPROVED BY	DATE					
30 OVER	± 0.20	NUKITA	2010/10/14					
ANGULAR $\pm 3^\circ$		MATERIAL NO.	SEE TABLE		DOCUMENT NO.	SD-78047-001		
DRAFT WHERE APPLICABLE MUST REMAIN WITHIN DIMENSIONS			SIZE A3	THIS DRAWING CONTAINS INFORMATION THAT IS PROPRIETARY TO MOLEX ELECTRONIC TECHNOLOGIES, LLC AND SHOULD NOT BE USED WITHOUT WRITTEN PERMISSION				

9 8 7 6 5 4 3 2 1

EMBOSSED CARRIER TAPE PACKING DETAILS FOR PARTS WITH CAP (A)



HEADER P/N:
78047-0461 (BLACK)
78047-**71 (BEIGE)



1. LEADER AND TRAILER TAPE
2. PEELING OFF FORCE OF THE TOP TAPE: 20-80gf. (PEELING DIRECTION AS SHOWN IN FOLLOWING FIGURE)
3. THE TAPE IS TREATED FOR ANTI-STATIC.
4. PACKAGING STANDARD IS AS PER EIA-481.
5. TAPE & REEL QUANTITY = 1000PCS/REEL (WITHOUT CAP)
TAPE & REEL QUANTITY = 900PCS/REEL (WITH CAP)

15	44	20.20±0.15	100	44.40	50.40	2.00±0.15
11, 12, 13, 14	32	14.20±0.10	100	32.40	38.40	2.00±0.10
7, 8, 9, 10	24	11.50±0.10	100	24.40	30.40	2.00±0.10
2, 3, 4, 5, 6	16	7.50±0.10	100	16.40	22.40	2.00±0.10
CIRCUIT SIZE	W	F	N	G	T MAX	P

REVISED EC NO: J2016-0573 DRWN: A. SHIKAWA 2015/12/11 CHKD: K. KASAKAWA 2015/12/11 APPR: N. UKITA 2015/12/11	GENERAL TOLERANCES (UNLESS SPECIFIED)		DIMENSION STYLE MM ONLY		SCALE 1:1	DESIGN UNITS METRIC	THIRD ANGLE PROJECTION
	0.25 UNDER	±0.03	DRAWN BY	DATE	TITLE		
	0.25 OVER 0.5 UNDER	±0.05	SKANG	2007/07/18	1.50MM PITCH, W-T-B HEADER, VERTICAL, SMT		
	0.5 OVER 1.0 UNDER	±0.1	CHECKED BY	DATE			
	1.0 OVER 10 UNDER	±0.20	ATSEE	2007/07/25			
10 OVER 30 UNDER	±0.20	APPROVED BY	DATE				
30 OVER	±0.20	NUKITA	2010/10/14				
ANGULAR ±3 °		MATERIAL NO.	SEE TABLE		DOCUMENT NO.	SD-78047-001	
DRAFT WHERE APPLICABLE MUST REMAIN WITHIN DIMENSIONS		SIZE A3	THIS DRAWING CONTAINS INFORMATION THAT IS PROPRIETARY TO MOLEX ELECTRONIC TECHNOLOGIES, LLC AND SHOULD NOT BE USED WITHOUT WRITTEN PERMISSION				