

794578-1 ✓ ACTIVE

## AMP-DUAC

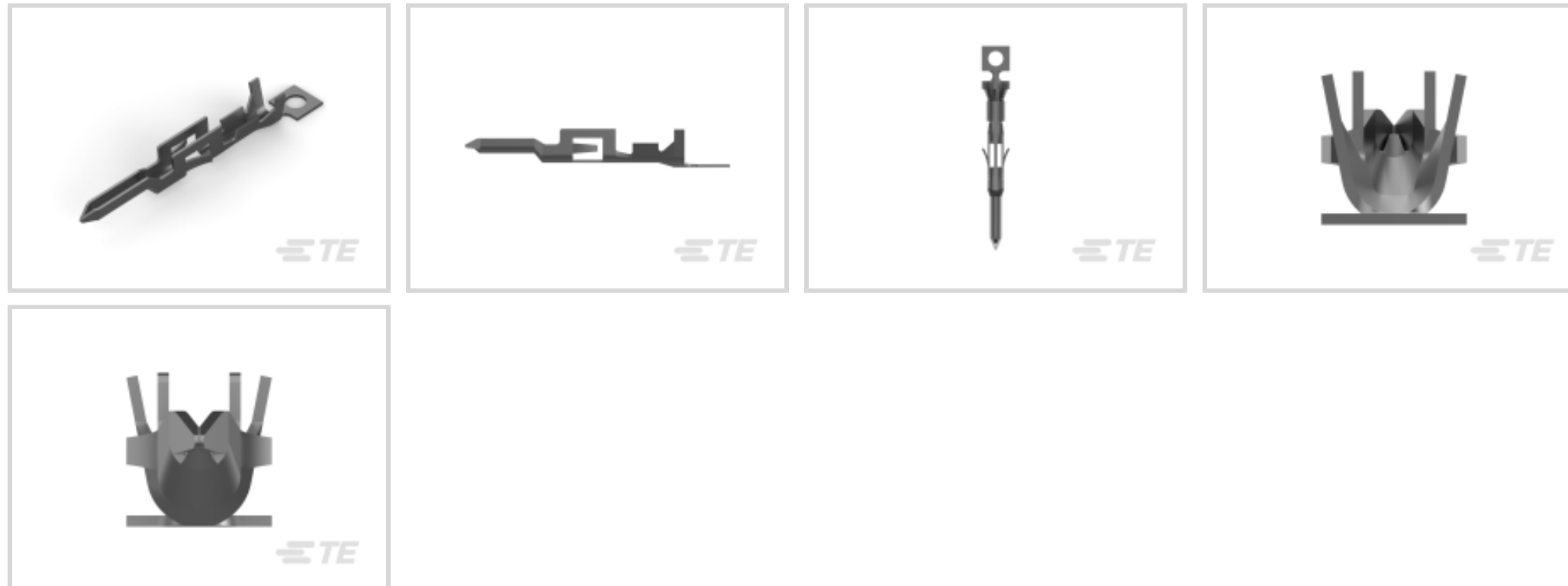
TE Internal #: 794578-1

Power Contacts, Contact, 600 VAC, Tin, 26 – 22 AWG Wire Size, .12 – .35 mm<sup>2</sup> Wire Size, 254.1 – 642.5 CMA Wire Size, Wire-to-Wire, AMP-DUAC

[View on TE.com >](#)



Connectors > Power Connectors > Power Contacts



Power Contact Type: **Contact**

Operating Voltage: **600 VAC**

Contact Mating Area Plating Material: **Tin**

Wire Size: **.12 – .35 mm<sup>2</sup>**

### Features

#### Product Type Features

Power Contact Type	Contact
Connector System	Wire-to-Wire
Sealable	No
Connector & Contact Terminates To	Wire & Cable

#### Electrical Characteristics

Operating Voltage	600 VAC
-------------------	---------

#### Contact Features

Contact Mating Area Plating Material	Tin
Contact Current Rating (Max)	9 A
Contact Type	Pin
Contact Retention Within Housing	With
Mating Pin Diameter	1.14 mm[.045 in]
Contact Base Material	Phosphor Bronze
Wire Contact Termination Area Plating Material	Tin
Wire Contact Termination Area Plating Material Finish	Bright



Contact Orientation	Straight
---------------------	----------

Barrel Type	Open Barrel
-------------	-------------

### Termination Features

Termination Method to Wire & Cable	Crimp
------------------------------------	-------

### Mechanical Attachment

Contact Retention Type Within Housing	Locking Lance
---------------------------------------	---------------

Wire Insulation Support	With
-------------------------	------

### Dimensions

Wire Size	254.1 – 642.5 CMA
-----------	-------------------

Accepts Wire Insulation Diameter Range	1.2 – 1.75 mm [.047 – .068 in]
--	--------------------------------

### Usage Conditions

Operating Temperature Range	-55 – 105 °C [-67 – 221 °F]
-----------------------------	-----------------------------

### Operation/Application

Circuit Application	Power
---------------------	-------

### Industry Standards

Glow Wire Rating	Standard Part - Not Glow Wire
------------------	-------------------------------

### Packaging Features

Packaging Method	Reel
------------------	------

Packaging Quantity	6500
--------------------	------

### Product Compliance

[For compliance documentation, visit the product page on TE.com>](#)

EU RoHS Directive 2011/65/EU	Compliant
------------------------------	-----------

EU ELV Directive 2000/53/EC	Compliant
-----------------------------	-----------

China RoHS 2 Directive MIIT Order No 32, 2016	No Restricted Materials Above Threshold
---	---

EU REACH Regulation (EC) No. 1907/2006	Current ECHA Candidate List: JUNE 2022 (224) Candidate List Declared Against: JAN 2022 (223) SVHC > Threshold: Not Yet Reviewed
--	--

Halogen Content	Low Halogen - Br, Cl, F, I < 900 ppm per homogenous material. Also BFR/CFR/PVC Free
-----------------	---

Solder Process Capability

Not applicable for solder process capability

Product Compliance Disclaimer

This information is provided based on reasonable inquiry of our suppliers and represents our current actual knowledge based on the information they provided. This information is subject to change. The part numbers that TE has identified as EU RoHS compliant have a maximum concentration of 0.1% by weight in homogenous materials for lead, hexavalent chromium, mercury, PBB, PBDE, DBP, BBP, DEHP, DIBP, and 0.01% for cadmium, or qualify for an exemption to these limits as defined in the Annexes of Directive 2011/65/EU (RoHS2). Finished electrical and electronic equipment products will be CE marked as required by Directive 2011/65/EU. Components may not be CE marked. Additionally, the part numbers that TE has identified as EU ELV compliant have a maximum concentration of 0.1% by weight in homogenous materials for lead, hexavalent chromium, and mercury, and 0.01% for cadmium, or qualify for an exemption to these limits as defined in the Annexes of Directive 2000/53/EC (ELV). Regarding the REACH Regulation, the information TE provides on SVHC in articles for this part number is based on the latest European Chemicals Agency (ECHA) 'Guidance on requirements for substances in articles' posted at this URL: <https://echa.europa.eu/guidance-documents/guidance-on-reach>

### Compatible Parts



TE Part # 734202-3  
HT DUAC 0 12X0 35MM




TE Part # 1-1579008-6  
EXTRACTION TOOL

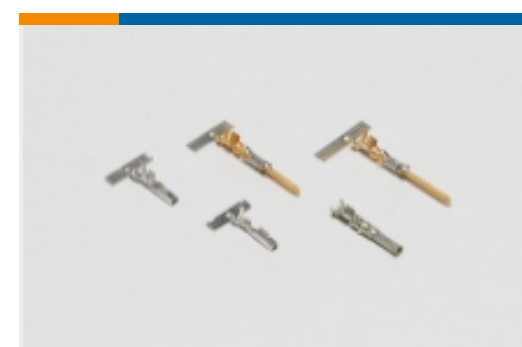
### Also in the Series | AMP-DUAC




Busbar Connector Contacts(1)




Insertion & Extraction Tools(1)




Power Contacts(3)




Rectangular Boots & Strain Relief(1)



Rectangular Connector Keying Plugs(1)

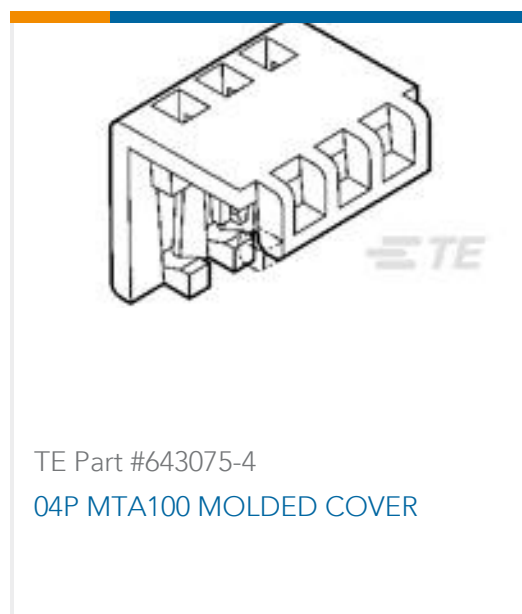


Rectangular Connector Locking(1)



Rectangular Power Connectors(6)

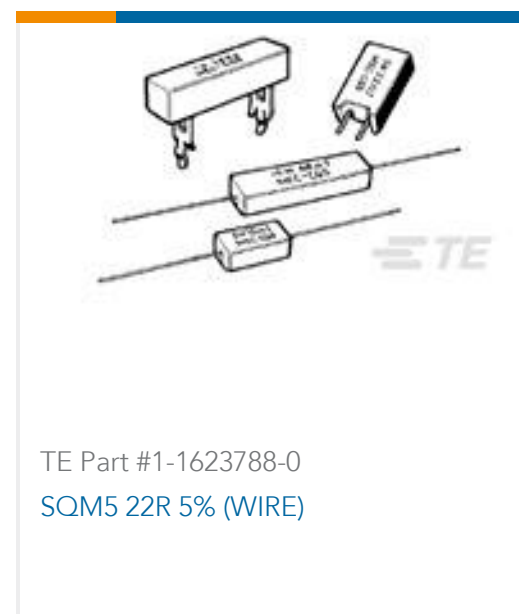
### Customers Also Bought



TE Part #643075-4  
04P MTA100 MOLDED COVER



TE Part #3-1419104-6  
T9AS5D22-24



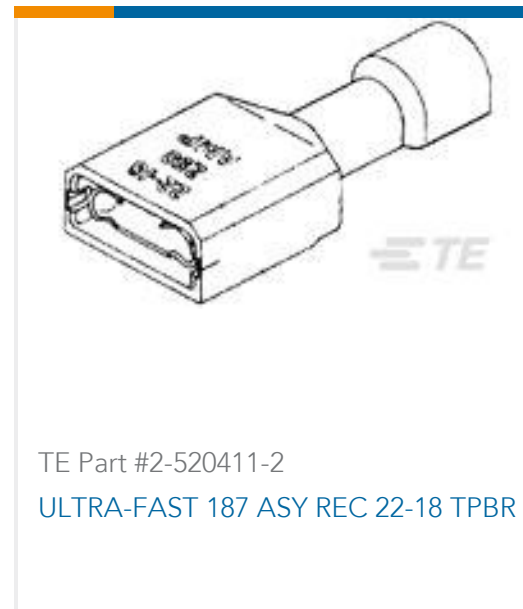
TE Part #1-1623788-0  
SQM5 22R 5% (WIRE)



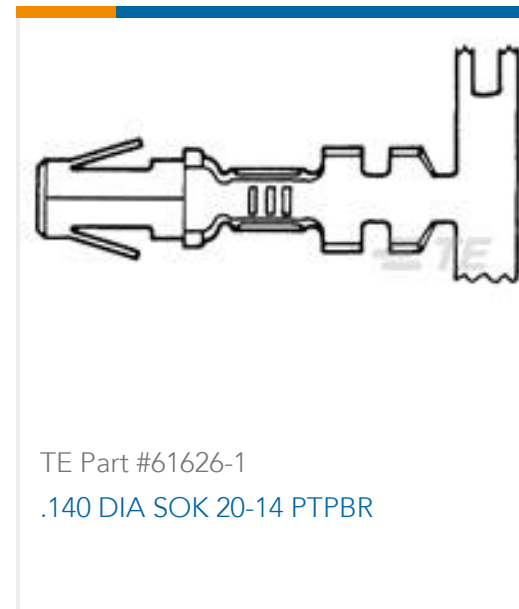
TE Part #770585-1  
20P MINI UMNL PLUG HSG



TE Part #1-794407-1  
MINI UMNL SOK 20-16 AWG AU LF



TE Part #2-520411-2  
ULTRA-FAST 187 ASY REC 22-18 TPBR



TE Part #61626-1  
.140 DIA SOK 20-14 PTPBR



TE Part #350707-1  
UMNL SPLIT PIN 20-14 PTPBR L/P



TE Part #5205729-1  
CLAMSHELL ASSEMBLY, SIZE 1



TE Part #3-641190-4  
04P MTA100 CONN ASSY RED LF

## Documents

### Product Drawings

[AMP DUAC PIN 26-22 AWG TIN](#)

English

### CAD Files

Customer View Model

[ENG\\_CVM\\_794578-1\\_E.3d\\_igs.zip](#)

English

Customer View Model

[ENG\\_CVM\\_794578-1\\_E.3d\\_stp.zip](#)

English

Customer View Model

[ENG\\_CVM\\_794578-1\\_E.2d\\_dxf.zip](#)

English

[3D PDF](#)

English

By downloading the CAD file I accept and agree to the [Terms and Conditions](#) of use.

## Datasheets & Catalog Pages



## SOFT\_SHELL\_PIN\_AND\_SOCKET\_CONNECTORS\_CATALOG

English

---

**Product Specifications**

**Application Specification**

English