

AMP MCP Connector System

TE Internal #: 828922-2

Automotive Seals & Cavity Plugs, Sealing Plug, Cavity Diameter .212 in [5.4 mm], Silicone, Green, AMP MCP Connector System

[View on TE.com >](#)



Connectors > Automotive Connectors > Seals & Cavity Plugs



Connector Seal Type: **Sealing Plug**

Cavity Diameter: **5.4 mm [.212 in]**

Seal Material: **Silicone**

Primary Product Color: **Green**

Features

Product Type Features

| | |
|---------------------|--------------|
| Connector Seal Type | Sealing Plug |
|---------------------|--------------|

Body Features

| | |
|-----------------------|----------|
| Seal Material | Silicone |
| Primary Product Color | Green |

Dimensions

| | |
|-----------------|-----------------|
| Cavity Diameter | 5.4 mm[.212 in] |
|-----------------|-----------------|

Packaging Features

| | |
|--------------------|-------|
| Packaging Quantity | 60000 |
| Packaging Method | Box |

Product Compliance

[For compliance documentation, visit the product page on TE.com>](#)

| | |
|---|---|
| EU RoHS Directive 2011/65/EU | Compliant |
| EU ELV Directive 2000/53/EC | Compliant |
| China RoHS 2 Directive MIIT Order No 32, 2016 | No Restricted Materials Above Threshold |

EU REACH Regulation (EC) No. 1907/2006

Current ECHA Candidate List: JUNE 2022 (224)

Candidate List Declared Against: JUNE 2022 (224)

Does not contain REACH SVHC

Halogen Content

Low Halogen - Br, Cl, F, I < 900 ppm per homogenous material. Also BFR/CFR/PVC Free

Solder Process Capability

Not applicable for solder process capability

Product Compliance Disclaimer

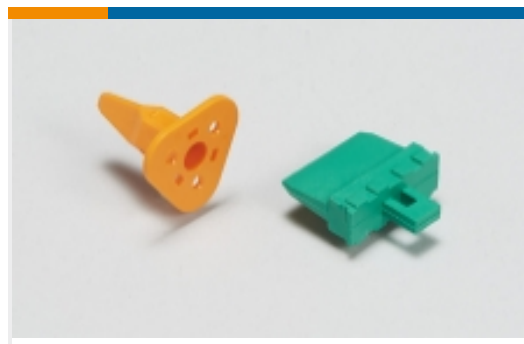
This information is provided based on reasonable inquiry of our suppliers and represents our current actual knowledge based on the information they provided. This information is subject to change. The part numbers that TE has identified as EU RoHS compliant have a maximum concentration of 0.1% by weight in homogenous materials for lead, hexavalent chromium, mercury, PBB, PBDE, DBP, BBP, DEHP, DIBP, and 0.01% for cadmium, or qualify for an exemption to these limits as defined in the Annexes of Directive 2011/65/EU (RoHS2). Finished electrical and electronic equipment products will be CE marked as required by Directive 2011/65/EU. Components may not be CE marked. Additionally, the part numbers that TE has identified as EU ELV compliant have a maximum concentration of 0.1% by weight in homogenous materials for lead, hexavalent chromium, and mercury, and 0.01% for cadmium, or qualify for an exemption to these limits as defined in the Annexes of Directive 2000/53/EC (ELV). Regarding the REACH Regulation, the information TE provides on SVHC in articles for this part number is based on the latest European Chemicals Agency (ECHA) 'Guidance on requirements for substances in articles' posted at this URL: <https://echa.europa.eu/guidance-documents/guidance-on-reach>

Compatible Parts

Also in the Series | **AMP MCP Connector System**



Automotive Connector Caps & Covers (24)



Automotive Connector Locks & Position Assurance(7)



Automotive Housings(352)



Automotive Seals & Cavity Plugs(6)



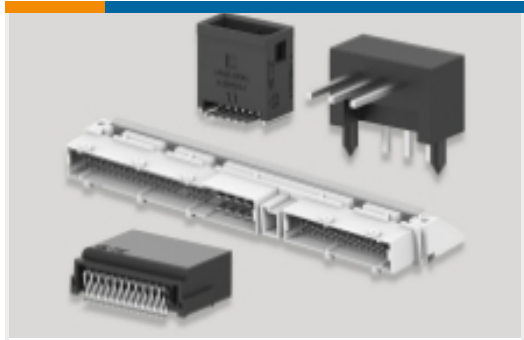
Automotive Terminals(125)



Insertion & Extraction Tools(13)



Other Automotive Connector Accessories(2)

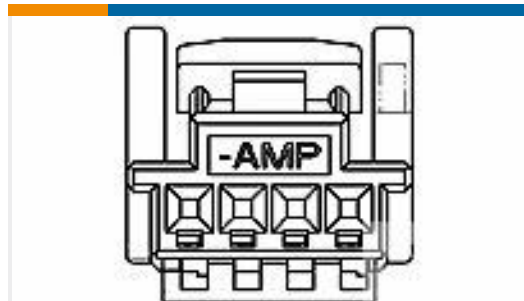


PCB Headers & Receptacles(29)

Customers Also Bought



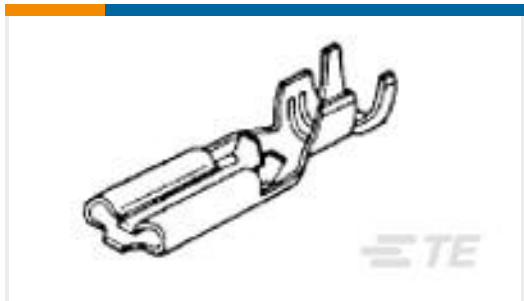
TE Part #1418918-1
MULTI CORE CABLE ADAPTER 90 DEGREE



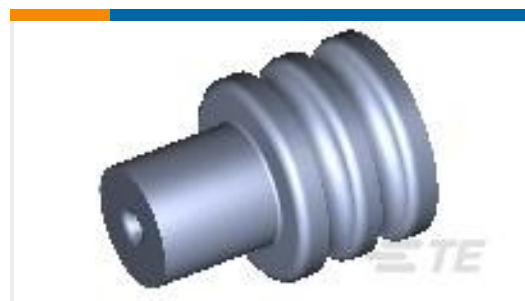
TE Part #1473672-1
025 PLUG ASSY



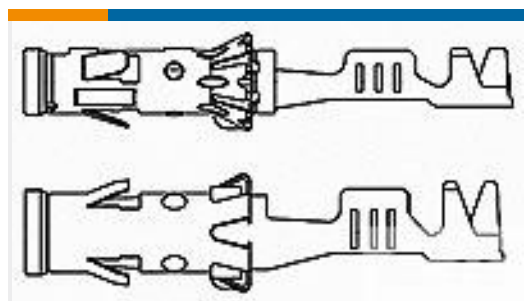
TE Part #1-480351-0
01P CMNL CAP HSG NATL



TE Part #174777-1
PL 110 REC 20-16 AWG 0.25 X 10.4 PTBR



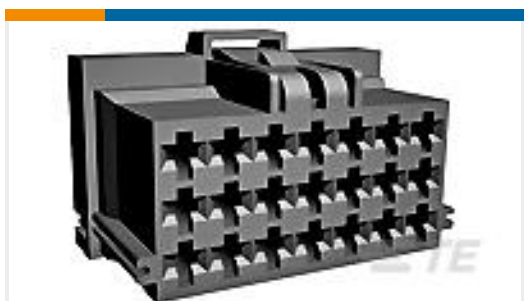
TE Part #963294-1
SINGLE WIRE SEAL INSULATION DI



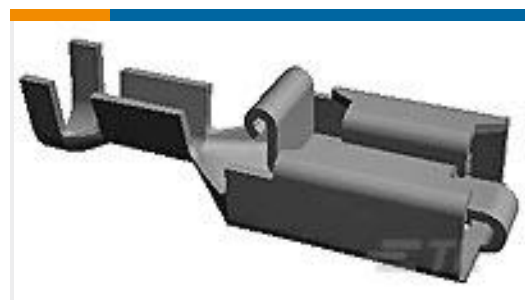
TE Part #929989-7
1,5MM CONT.SOCK SWS



TE Part #1241380-2
AMP MCP 1.5K, CONTACT, SWS



TE Part #9-968975-2
MCP2,8 GEH ASSY 21P



TE Part #160759-3
250 PL MKI REC. 20-15AWG TPBR



TE Part #6-1618404-0
K62A971=Relay, Vacuum, SPST NO

Documents



Product Drawings

CAVITY PLUG 2,5MM S

English

CAD Files

3D PDF

3D

Customer View Model

[ENG_CVM_CVM_828922-2_A.2d_dxf.zip](#)

English

Customer View Model

[ENG_CVM_CVM_828922-2_A.3d_igs.zip](#)

English

Customer View Model

[ENG_CVM_CVM_828922-2_A.3d_stp.zip](#)

English

By downloading the CAD file I accept and agree to the [Terms and Conditions](#) of use.

Datasheets & Catalog Pages

HDSCS Catalog

English

CONNECTOR SELECTOR

English

Product Specifications

Product Specification

Japanese

Product Specification

English

Product Environmental Compliance

Product Compliance

English

Product Compliance

English

Instruction Sheets

Instruction Sheet (non U.S.)

English

Instruction Sheet (non U.S.)

Japanese