

Tous droits strictement réservés. Reproduction ou communication à des tiers interdite sous quelque forme que ce soit sans autorisation écrite du propriétaire. Propriété de c FCI. Droits de reproduction FCI.

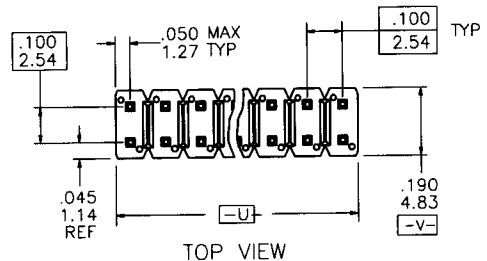


All rights strictly reserved. Reproduction or issue to third parties in any form whatever is not permitted without written authority from the proprietor. Property of FCI. Copyright FCI.

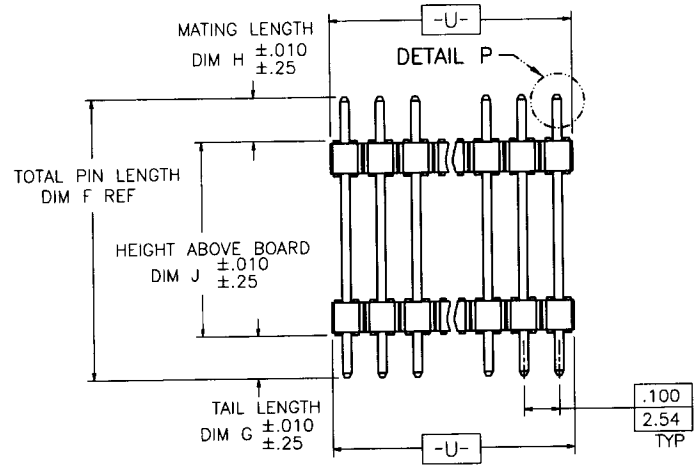
PRODUCT NUMBER

XXXXX-YYY H

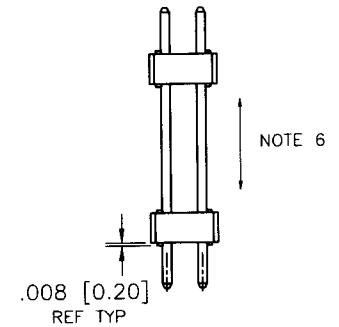
- HIGH TEMPERATURE PLASTIC
SEE NOTE 1
- NO OF POSITIONS
SEE NOTE 3
- PIN PLATING
SEE SHEET 2
- BASE PART NO.



TOP VIEW



SIDE VIEW

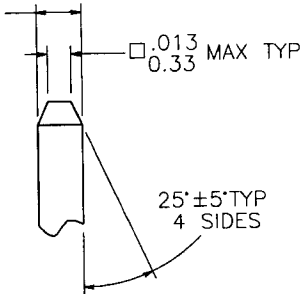


END VIEW

⊕ ∅.020/0.51 (M) U (M) V (S)

NOTE 4

□ .025±.001
0.64±0.03
TYP



DETAIL P
TYP BOTH ENDS

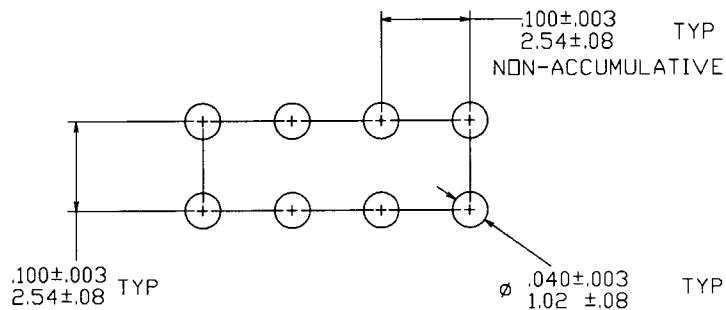
mat'l. code NOTE 1 & 2				tolerances unless otherwise specified				CUSTOMER COPY		Electronics www.fciconnect.com	
ltr	ecn no	dr	date	linear	.XX ±.01/.X±.3			projection	title		
BW	V90567	EPK	2/24/99		.XXX ±.005/.XX±.13				BERGSTIK® II HEADER, D/R		
BX	V90608	EPK	3/2/99	angles	.XXX ±.0020/.XXX±.051				.100/2.54 CTR. RAILROAD TRACK		
BY	V90864	EPK	4/1/99		0° ±2°				product family BERGSTIK code 213		
CA	V91096	EPK	5/11/99	dr	T. BREWBAKER	1/31/95	INCH/MM	size		sheet 1 of 7	
CB	V94099	DAI	10/31/99	enr	T. HANNA	1/31/95		dwg no			
CC	V00227	MDF	1/14/00	chr	T. HANNA	1/31/95	scale 2:1	A 78563			
				appd	T. HANNA	1/31/95					
sheet index	revision sheet	CC 1	CC 2	CC 3	CC 4	CC 5	CC 6	CC 7	cage code 22526		

PIN PLATING CODES:

- XXXXX-1YY 30u"/0.76u MIN Au OVER 50u"/1.27u MIN Ni
- XXXXX-2YY 15u"/0.38u MIN Au OVER 50u"/1.27u MIN Ni
- XXXXX-3YY 50u"/1.27u MIN Au OVER 50u"/1.27u MIN Ni
- XXXXX-4YY 120u"/3.05u MIN 93/7 SnPb OVER 50u"/1.27u MIN Ni
- XXXXX-5YY 15u"/0.38u MIN GXT™ OVER 50u"/1.27u MIN Ni
- XXXXX-6YY 30u"/0.76u MIN GXT™ OVER 50u"/1.27u MIN Ni

NOTES

- ① BODY MATERIAL: MANUFACTURER'S OPTION OF NYLON OR PCT, GLASS FIBER REINFORCED, FLAME RETARDENT PER UL-94V-0.
COLOR: BLACK
FOR HIGH-TEMPERATURE APPLICATIONS, SPECIFY AN "H" AT THE END OF THE PART NUMBER, AND PCT WILL BE SUPPLIED.
- ② PIN MATERIAL: PHOS-BRONZE.
- ③ ANY NUMBER OF POSITIONS FROM 4 (2X2) THRU 72 (2X36).
- ④ MEASURED WITH PART IN RESTRAINED CONDITION.
- ⑤ TWO SIDES OF PIN TIPS NOT PLATED. TYPICAL BOTH ENDS.
- ⑥ 2LBS/0.9KG MIN PIN RETENTION IN EITHER DIRECTION.
- ⑦ PACKAGED IN POLY BAGS.



DOUBLE ROW
RECOMMENDED HOLE PATTERN

mat'l. code NOTE 1 & 2				tolerances unless otherwise specified		CUSTOMER COPY		Electronics www.fciconnect.com	
ltr	ecn no	dr	date	linear	.XX ±.01/.X±.3	projection 	title BERGSTIK® II HEADER, D/R		
CC					.XXX ±.005/.XX±.13		.100/2.54 CTR. RAILROAD TRACK		
				angles	.XXX ±.0020/.XXX±.051	INCH/MM 	product family BERGSTIK		code
				dr	0° ±2'		size dwg no		213
				enr	T. HANNA 1/31/95	scale 1:1	A 78563		sheet
				chr	T. HANNA 1/31/95				2 of
				appd	T. HANNA 1/31/95				
sheet index	revision sheet							cage code 22526	

Tous droits strictement réservés. Reproduction ou communication a des tiers interdite sous quelque forme que ce soit sans autorisation écrite du propriétaire. Propriété de © FCI. Droits de reproduction FCI.


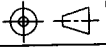
All rights strictly reserved. Reproduction or issue to third parties in any form whatever is not permitted without written authority from the proprietor. Property of FCI. Copyright FCI.

Tous droits strictement réservés. Reproduction ou communication à des tiers interdite sous quelque forme que ce soit sans autorisation écrite du propriétaire. Propriété de c FCI. Droits de reproduction FCI.

All rights strictly reserved. Reproduction or issue to third parties in any form whatever is not permitted without written authority from the proprietor. Property of FCI. Copyright FCI.

FCI

PRODUCT NUMBER	TOTAL PIN LGTH		TAIL LENGTH		MATING LENGTH		HEIGHT ABOVE BOARD	
	DIM F	DIM F	DIM G	DIM G	DIM H	DIM H	DIM J	DIM J
	ENGLISH	METRIC	ENGLISH	METRIC	ENGLISH	METRIC	ENGLISH	METRIC
60056-XYH	0.425	10.80	0.150	3.81	0.065	1.65	0.210	5.33
71282-XYH	0.543	13.79	0.102	2.59	0.213	5.41	0.228	5.79
71284-XYH	0.920	23.37	0.122	3.10	0.372	9.45	0.426	10.82
71285-XYH	1.075	27.31	0.110	2.79	0.350	8.89	0.615	15.62
71704-XYH	1.145	29.08	0.354	8.99	0.354	8.99	0.437	11.10
71725-XYH	1.110	28.19	0.110	2.79	0.370	9.40	0.630	16.00
71726-XYH	1.380	35.05	0.315	8.00	0.315	8.00	0.750	19.05
71728-XYH	1.200	30.48	0.100	2.54	0.254	6.45	0.846	21.49
71739-XYH	0.945	24.00	0.110	2.79	0.110	2.79	0.725	18.42
71741-XYH	1.340	34.04	0.110	2.79	0.330	8.38	0.900	22.86
71758-XYH	1.123	28.52	0.394	10.01	0.394	10.01	0.335	8.51
71797-XYH	0.705	17.91	0.125	3.18	0.240	6.10	0.340	8.64
72302-XYH	1.176	29.87	0.100	2.54	0.230	5.84	0.846	21.49
72307-XYH	0.880	22.35	0.250	6.35	0.330	8.38	0.300	7.62
72334-XYH	0.775	19.69	0.120	3.05	0.230	5.84	0.425	10.80
72335-XYH	1.250	31.75	0.120	3.05	0.230	5.84	0.900	22.86
72345-XYH	0.630	16.00	0.100	2.54	0.230	5.84	0.300	7.62
72420-XYH	1.158	29.41	0.100	2.54	0.290	7.37	0.768	19.51
72431-XYH	1.150	29.21	0.262	6.65	0.262	6.65	0.626	15.90
72461-XYH	1.190	30.23	0.090	2.29	0.350	8.89	0.750	19.05
72471-XYH	1.286	32.66	0.130	3.30	0.406	10.31	0.750	19.05
72509-XYH	1.370	34.80	0.235	5.97	0.235	5.97	0.900	22.86
72514-XYH	1.220	30.99	0.120	3.05	0.350	8.89	0.750	19.05
72521-XYH	0.900	22.86	0.200	5.08	0.300	7.62	0.400	10.16
73428-XYH	1.330	33.78	0.330	8.38	0.727	18.47	0.273	6.93
73500-XYH	0.870	22.10	0.300	7.62	0.300	7.62	0.270	6.86
73501-XYH	0.668	16.97	0.098	2.49	0.157	3.99	0.413	10.49
73697-XYH	1.435	36.45	0.300	7.62	0.525	13.34	0.610	15.49

mat'l. code				tolerances unless otherwise specified				CUSTOMER COPY		 Electronics www.fciconnect.com	
ltr	ecn no	dr	date	linear	.XX ±.01/.X±.3			projection	title		
cc					.XXX ±.005/.XX±.13				BERGSTIK ® II HEADER, D/R		
					.XXX ±.0020/.XXX±.051				.100/2.54 CTR. RAILROAD TRACK		
				angles	0° ±2'			 INCH/MM scale 1:1	product family		code
				dr	T. BREWBAKER	1/31/95	BERGSTIK		213		
				enr	T. HANNA	1/31/95	size dwg no		sheet		
				chr	T. HANNA	1/31/95	A 78563		3 of		
				appd	T. HANNA	1/31/95					
sheet index	revision sheet								cage code		
									22526		


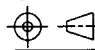
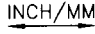
ACAD

Tous droits strictement réservés. Reproduction ou communication à des tiers interdite sous quelque forme que ce soit sans autorisation écrite du propriétaire. Propriété de c FCI. Droits de reproduction FCI.

All rights strictly reserved. Reproduction or issue to third parties in any form whatever is not permitted without written authority from the proprietor. Property of FCI. Copyright FCI.

FCI

PRODUCT NUMBER	TOTAL PIN LGTH		TAIL LENGTH		MATING LENGTH		HEIGHT ABOVE BOARD	
	DIM F	DIM F	DIM G	DIM G	DIM H	DIM H	DIM J	
	ENGLISH	METRIC	ENGLISH	METRIC	ENGLISH	METRIC	ENGLISH	METRIC
73699-YYYH	0.952	24.18	0.122	3.10	0.228	5.79	0.602	15.29
74381-YYYH	0.975	24.77	0.360	9.14	0.360	9.14	0.255	6.48
74455-YYYH	1.050	26.67	0.230	5.84	0.320	8.13	0.500	12.70
74465-YYYH	0.945	24.00	0.110	2.79	0.285	7.24	0.550	13.97
74466-YYYH	0.930	23.62	0.355	9.02	0.360	9.14	0.215	5.46
74467-YYYH	0.930	23.62	0.365	9.27	0.365	9.27	0.200	5.08
74928-YYYH	1.164	29.56	0.200	5.08	0.200	5.08	0.764	19.41
74997-YYYH	1.208	30.68	0.150	3.81	0.290	7.37	0.768	19.51
78563-YYY	0.930	23.62	0.340	8.64	0.340	8.64	0.250	6.35
78564-YYY	1.230	31.24	0.390	9.91	0.390	9.91	0.450	11.43
78936-YYY	0.785	19.94	0.120	3.05	0.120	3.05	0.545	13.84
78937-YYY	0.490	12.45	0.120	3.05	0.120	3.05	0.250	6.35
78937-YYY	0.490	12.45	0.120	3.05	0.120	3.05	0.250	6.35
84693-YYYH	0.975	24.77	0.380	9.65	0.380	9.65	0.215	5.46
84819-YYYH	0.730	18.54	0.110	2.79	0.170	4.32	0.450	11.43
84950-YYYH	1.250	31.75	0.120	3.05	0.350	8.89	0.780	19.81
86824-YYY	0.760	19.30	0.120	3.05	0.250	6.35	0.390	9.91
86826-YYY	0.700	17.78	0.120	3.05	0.330	8.38	0.250	6.35
86831-YYY	0.525	13.34	0.100	2.54	0.225	5.72	0.200	5.08
86869-YYY	1.020	25.91	0.120	3.05	0.230	5.84	0.670	17.02
87039-YYY	1.240	31.50	0.120	3.05	0.120	3.05	1.000	25.40
87053-YYY	0.990	25.15	0.120	3.05	0.120	3.05	0.750	19.05
87323-YYY	1.375	34.93	0.219	5.56	0.406	10.31	0.750	19.05

mat'l. code				tolerances unless otherwise specified			CUSTOMER COPY		 Electronics FCI www.fciconnect.com	
ltr	ecn no	dr	date	linear	.XX ±.01/.X±.3		projection	 title BERGSTIK® II HEADER, D/R .100/2.54 CTR. RAILROAD TRACK		
cc					.XXX ±.005/.XX±.13					
				angles	0° ±2°		 INCH/MM scale 1:1	product family		code
				dr	T. BREWBAKER	1/31/95		BERGSTIK		213
				enr	T. HANNA	1/31/95	size		dwg no	sheet
				chr	T. HANNA	1/31/95	A		78563	4 of
				appd	T. HANNA	1/31/95				
sheet index	revision sheet									

cage code
22526

ACAD

Tous droits strictement reserves. Reproduction ou communication a des tiers
interdite sous quelque forme que ce soit sans autorisation écrite du propriétaire.
Propriete de c FCI. Droits de reproduction FCI.

All rights strictly reserved. Reproduction or issue to third parties in any
form whatever is not permitted without written authority from the proprietor.
Property of FCI. Copyright FCI.



PRODUCT NUMBER	TOTAL PIN LGTH		TAIL LENGTH		MATING LENGTH		HEIGHT ABOVE BOARD	
	DIM F	DIM F	DIM G	DIM G	DIM H	DIM H	DIM J	DIM J
	ENGLISH	METRIC	ENGLISH	METRIC	ENGLISH	METRIC	ENGLISH	METRIC
87324-XYX	1.218	30.94	0.406	10.31	0.406	10.31	0.406	10.31
87346-XYX	0.930	23.62	0.100	2.54	0.330	8.38	0.500	12.70
87347-XYX	0.890	22.61	0.110	2.79	0.280	7.11	0.500	12.70
87501-XYXH	1.230	31.24	0.330	8.38	0.100	2.54	0.800	20.32
87511-XYXH	1.130	28.70	0.105	2.67	0.325	8.26	0.700	17.78
87512-XYXH	1.030	26.16	0.120	3.05	0.410	10.41	0.500	12.70
87571-XYXH	0.930	23.62	0.250	6.35	0.250	6.35	0.430	10.92
87594-XYX	1.190	30.23	0.200	5.08	0.120	3.05	0.870	22.10
87887-XYX	0.940	23.88	0.120	3.05	0.395	10.03	0.425	10.80
87899-XYX	1.040	26.42	0.120	3.05	0.370	9.40	0.550	13.97
89444-XYX	0.930	23.62	0.120	3.05	0.310	7.87	0.500	12.70
89637-XYX	1.260	32.00	0.118	3.00	0.315	8.00	0.827	21.01
89638-XYX	1.040	26.42	0.120	3.05	0.270	6.86	0.650	16.51
90237-XYX	0.813	20.65	0.120	3.05	0.318	8.08	0.375	9.53
90608-XYX	0.595	15.11	0.120	3.05	0.255	6.48	0.220	5.59
90806-XYX	1.400	35.56	0.360	9.14	0.200	5.08	0.840	21.34
91507-XYXH	0.610	15.49	0.120	3.05	0.240	6.10	0.250	6.35
91508-XYXH	0.888	22.56	0.120	3.05	0.500	12.70	0.268	6.81
91509-XYXH	1.260	32.00	0.120	3.05	0.500	12.70	0.640	16.26
91510-XYXH	0.960	24.38	0.120	3.05	0.500	12.70	0.340	8.64
91862-XYXH	0.767	19.48	0.120	3.05	0.297	7.54	0.350	8.89
91863-XYXH	0.792	20.12	0.120	3.05	0.297	7.54	0.375	9.53

mat'l. code		tolerances unless otherwise specified		CUSTOMER COPY	Electronics www.fciconnect.com
ltr	ecn no	dr	date		
cc				.XX ±.01/.X±.3	
				.XXX ±.005/.XX±.13	title
				.XXXX ±.0020/.XXX±.051	BERGSTIK® II HEADER, D/R
				angles	.100/2.54 CTR. RAILROAD TRACK
				0° ±2'	product family
				dr	BERGSTIK
				enrg	code
				T. BREWBAKER	213
				8/1/96	sheet
				chr	5 of
				E. KROPIEWICKI	
				8/1/96	
				oppd	
				T. BREWBAKER	
				8/1/96	
sheet	revision			scale	
index	sheet			1:1	

cage code
22526

ACAD

Tous droits strictement réservés. Reproduction ou communication à des tiers
interdite sous quelque forme que ce soit sans autorisation écrite du propriétaire.
Propriété de c FCI. Droits de reproduction FCI.

All rights strictly reserved. Reproduction or issue to third parties in any
form whatever is not permitted without written authority from the proprietor.
Property of FCI. Copyright FCI.



PRODUCT NUMBER	TOTAL PIN LGTH		TAIL LENGTH		MATING LENGTH		HEIGHT ABOVE BOARD	
	DIM F	DIM F	DIM G	DIM G	DIM H	DIM H	DIM J	DIM J
	ENGLISH	METRIC	ENGLISH	METRIC	ENGLISH	METRIC	ENGLISH	METRIC
92002-YYYH	0.980	24.89	0.120	3.05	0.410	10.41	0.450	11.43
92012-YYYH	0.940	23.88	0.090	2.29	0.350	8.89	0.500	12.70
92013-YYYH	1.450	36.83	0.120	3.05	0.330	8.38	1.000	25.40
92094-YYYH	1.030	26.16	0.180	4.57	0.180	4.57	0.670	17.02
92628-YYYH	1.160	29.46	0.120	3.05	0.230	5.84	0.810	20.57
92900-YYYH	0.470	11.94	0.110	2.79	0.110	2.79	0.250	6.35
93223-YYYH	0.635	16.13	0.090	2.29	0.230	5.84	0.315	8.00
94046-YYYH	0.620	15.75	0.120	3.05	0.250	6.35	0.250	6.35
94082-YYYH	0.838	21.29	0.120	3.05	0.318	8.08	0.400	10.16
94083-YYYH	1.398	35.51	0.120	3.05	0.318	8.08	0.960	24.38
94084-YYYH	0.775	19.69	0.130	3.30	0.265	6.73	0.380	9.65
94085-YYYH	0.825	20.96	0.130	3.30	0.265	6.73	0.430	10.92
94550-YYYH	1.110	28.19	0.125	3.18	0.300	7.62	0.685	17.40
94551-YYYH	1.120	28.45	0.415	10.54	0.415	10.54	0.290	7.37
94552-YYYH	1.230	31.24	0.110	2.79	0.205	5.21	0.915	23.24
94553-YYYH	1.230	31.24	0.120	3.05	0.310	7.87	0.800	20.32
94554-YYYH	1.250	31.75	0.120	3.05	0.330	8.38	0.800	20.32
94555-YYYH	1.270	32.26	0.385	9.78	0.385	9.78	0.500	12.70
94605-YYYH	0.830	21.08	0.110	2.79	0.270	6.86	0.450	11.43
94620-YYYH	1.002	25.45	0.120	3.05	0.382	9.70	0.500	12.70
94621-YYYH	0.590	14.99	0.100	2.54	0.260	6.60	0.230	5.84
94632-YYYH	1.040	26.42	0.110	2.79	0.305	7.75	0.625	15.88

mat'l. code				tolerances unless otherwise specified				CUSTOMER COPY		Electronics <small>www.fciconnect.com</small>		
ltr	ecn no	dr	date	linear	.XX ±.01/.X±.3		projection 	title BERGSTIK® II HEADER, D/R .100/2.54 CTR. RAILROAD TRACK				
cc					.XXX ±.005/.XX±.13			INCH/MM 	product family BERGSTIK		code 213	
					angles	0° ±2'			size dwg no		sheet 6 of	
				dr	T. BREWBAKER	8/1/96	scale 1:1	A		78563		
				enfr	T. BREWBAKER	8/1/96						
				chr	E. KROPIEWNICK	8/1/96						
				appd	T. BREWBAKER	8/1/96						
sheet index	revision											
	sheet											


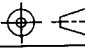
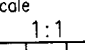
cage code
22526

ACAD

Tous droits strictement reserves. Reproduction ou communication a des tiers Interdite sous quelque forme que ce soit sans autorisation ecrite du propriétaire. Property of FCI. Droits de reproduction FCI.

All rights strictly reserved. Reproduction or issue to third parties in any form whatsoever is not permitted without written authority from the proprietor. Property of FCI. Copyright FCI.

PRODUCT NUMBER	TOTAL PIN LGTH		TAIL LENGTH		MATING LENGTH		HEIGHT ABOVE BOARD	
	DIM F	DIM F	DIM G	DIM G	DIM H	DIM H	DIM J	DIM J
	ENGLISH	METRIC	ENGLISH	METRIC	ENGLISH	METRIC	ENGLISH	METRIC
94672-XXYH	0.750	19.05	0.120	3.05	0.335	8.51	0.295	7.49
95036-XXYH	1.304	33.12	0.290	7.37	0.290	7.37	0.724	18.39
95063-XXYH	0.902	22.91	0.135	3.43	0.330	8.38	0.437	11.10
95064-XXYH	0.630	16.00	0.220	5.59	0.120	3.05	0.290	7.37
95088-XXYH	1.100	27.94	0.300	7.62	0.300	7.62	0.500	12.70
95116-XXYH	1.430	36.32	0.110	2.79	0.445	11.30	0.875	22.23
95124-XXYH	0.838	21.29	0.112	2.84	0.289	7.34	0.437	11.10
95129-XXYH	1.330	33.78	0.060	1.52	0.350	8.89	0.920	23.37
95616-XXYH	1.253	31.83	0.170	4.32	0.343	8.71	0.740	18.80
95656-XXYH	0.910	23.11	0.230	5.84	0.230	5.84	0.450	11.43
95657-XXYH	0.980	24.89	0.300	7.62	0.230	5.84	0.450	11.43
95685-XXYH	0.895	22.73	0.340	8.64	0.340	8.64	0.215	5.46
95686-XXYH	0.900	22.86	0.350	8.89	0.350	8.89	0.200	5.08
95711-XXYH	1.030	26.16	0.180	4.57	0.100	2.54	0.750	19.05
95731-XXYH	1.335	33.91	0.110	2.79	0.395	10.03	0.830	21.08
95762-XXYH	1.050	26.67	0.150	3.81	0.230	5.84	0.670	17.02
95787-XXYH	0.930	23.62	0.100	2.54	0.225	5.72	0.605	15.37
95788-XXYH	1.130	28.70	0.155	3.94	0.175	4.45	0.800	20.32
98048-XXYH	0.609	15.47	0.120	3.05	0.230	5.84	0.259	6.58
98049-XXYH	0.930	23.62	0.090	2.29	0.210	5.33	0.630	16.00
98070-XXYH	1.086	27.58	0.125	3.18	0.232	5.89	0.728	18.49
98141-XXYH	0.530	13.46	0.120	3.05	0.120	3.05	0.290	7.37
98216-XXYH	0.850	21.59	0.120	3.05	0.120	3.05	0.610	15.49
98836-XXYH	0.830	21.08	0.150	3.81	0.220	5.59	0.460	11.68

mat'l. code				tolerances unless otherwise specified		CUSTOMER COPY		 Electronics FCI www.fciconnect.com			
ltr	ecn no	dr	date	linear	.XX ±.01/.X±.3	projection		title			
CC					.XXX ±.005/.XX±.13			BERGSTIK® II HEADER, D/R		code	
					.XXX ±.0020/.XXX±.051			.100/2.54 CTR. RAILROAD TRACK		213	
				angles	0° ±2'	INCH/MM		product family			
				dr	T. BREWBAKER 8/1/96			BERGSTIK		size	
				enr	T. BREWBAKER 8/1/96			78563		7 of	
				chr	E. KROPIEWNICKI 8/1/96			A		sheet	
				appd	T. BREWBAKER 8/1/96	scale	1:1	cage code			
sheet index	revision sheet							22526			